

Operation Manual



MOISTURE **Link GX**™

Grain Dryer Controls

2023 MODELS:

DP-DPSL-DPXSL-DPX4T-DPX8GT-DPX12GT-DPX16GT

TABLE OF CONTENTS

General Instructions	
Introduction	5
Use of Manual	5
Safety Code	5
Dryer Serial Tag & Information	6
Serial Tag	8
Control Panel ID Tag	8
Service Information	9
Warranty Procedures	9
Warranty Statement	12
Dryer Controls	
Overview	15
Navigation	16
Touch Screen Navigation	17
Startup/Shutdown Procedure	
Stay-Kleen Operation & Maintenance	20
Fresh-Air Intakes	21
Power Switch	21
Safety Circuit	22
Starting Wet Fill	22
Starting Fans	23
Starting Burners	24
Starting Unload	26
Setting Initial Discharge Rate (AUTOMATIC / MANUAL)	27
Setting Discharge Rate after Shutdown	29
Shutdown	31
General Operation	
Safety Status	31
Grain Handling Status	32
Fan Status	33
Burner Status	34
Calculate Discharge Rate	35
Sensor Calibration	36
Drying Averages	38
Bushel Counter	39
Trends	40
Limits	41
Alarms	42
Dryer Configuration	45
Temperature Configuration	48
Dryer Settings	50
Engineering Functions	51
Diagnostics	52
Date & Time	53
Sunflower Drying	55
General Maintenance	56
Schematics / Drawings	59
Component Specifications / Charts	86
Component Literature	108

OPERATION MANUAL

General Instructions

Introduction

Delux Manufacturing Company of Kearney, Nebraska has many years of experience in producing energy saving, high-capacity continuous flow grain dryers for both farm and commercial applications.

Delux grain dryers are designed and manufactured to produce quality grain at a profit. An ideal balance of holding capacity, air flow, heat and exposure time are provided. All dryers are designed for continuous flow operation. Grain enters the roof section of the dryer where it is preheated as it flows down into the columns where the drying process is started. Twelve (12) inch grain columns on each side of the dryer provide maximum fuel efficiency and minimum grain moisture differential across the columns. As the grain enters the cooling chamber, outside ambient air is drawn through the warm grain reducing the dryer fuel consumption over competitive conventional dryers, thus completing the drying process and conditioning the grain for a long safe storage life.

Use of Manual



This manual provides operation and service recommendations along with a replacement parts list for your Delux grain dryer. **It is highly recommended that this manual be read thoroughly by those who are responsible for the operation and maintenance of this machine.** Refer to the table of contents for the location of specific information.

Safety Code



The design and manufacture of this dryer is directed toward operator safety. Use extreme caution in working around high speed fans, gas fired burners, discharge augers and conveyors, and auxiliary augers and conveyors, which may start without warning when the dryer is operating on automatic controls.

Continued safe, dependable operation of automatic equipment depends to a great degree upon the owner/operator. For a safe dependable drying system, follow the recommendations within the manual and make it a practice to regularly inspect the operation of the unit for any developing problems or unsafe conditions. **Keep a clean grain dryer. Do not allow fine material to accumulate on the plenum or cooling floor or a trash fire can result. Checking the dryer at least every 24 hours and cleaning will help prevent problems. The dryer should not be left unattended for extended periods of time!**

OPERATION MANUAL

The operator should be aware of all caution, warning & startup labels located on the grain dryer. Make sure all labels are readable and not obscured. Replace the labels as necessary. The location of each label is listed in the below.

Dryer Labels & Location



LOCATED ON:
 DRYER SERVICE CENTER
 DRYER CONTROL CENTER
 PLENUM DOOR



LOCATED ON:
 DRYER SERVICE CENTER
 DRYER CONTROL CENTER
 PLENUM DOOR



LOCATED ON:
 FAN & BURNER COVER



LOCATED ON:
 AUGER TROUGH COVERS
 AUGER TROUGH DISCHARGE
 LOCATED ON GARNER ACCESS



LOCATED ON:
 GARNER ACCESS



LOCATED ON:
 DISCHARGE CHAIN GUARD
 GARNER TOP END WALL



LOCATED ON:
 PLENUM DOOR

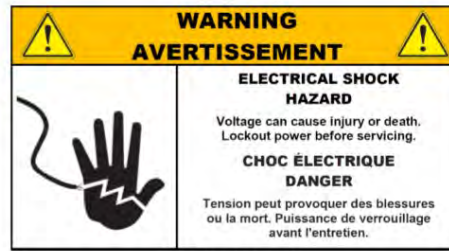


LOCATED ON:
 DRYER SERVICE CENTER
 DRYER CONTROL CENTER

OPERATION MANUAL



LOCATED ON:
DRYER CONTROL CENTER



LOCATED ON:
DRYER CONTROL CENTER



LOCATED ON:
PERFORATED FRESH AIR DOORS



LOCATED ON:
SOLID FRESH AIR DOORS



LOCATED ON:
LOWER OUTSIDE SUPPORTS

STOP READ AND UNDERSTAND OWNER'S MANUAL BEFORE OPERATION STOP	
START-UP PROCEDURE	SHUT-DOWN PROCEDURE
<ul style="list-style-type: none"> 1 ALL SWITCHES → "OFF" 2 POWER SWITCH → "START" 3 LOAD OPERATION → "ON" 4 DRYER FULL → REMOVE BURNER COVERS 5 MAIN FUEL VALVE → "ON" NG / LP VAPOR 6 FAN OPERATION → "START" 7 PLENUM TEMPERATURE → SET AS NEEDED 8 BURNER OPERATION → "ON" 9 LIQUID FUEL VALVE → "ON" (LP ONLY) 10 UNLOAD OPERATION → "METER" 	<ul style="list-style-type: none"> 1 UNLOAD OPERATION → "OFF" 2 LOAD OPERATION → "OFF" 3 BURNER OPERATION → "OFF" 4 PLENUM COOLING → AS NEEDED 5 FAN OPERATION → "OFF" 6 POWER SWITCH → "OFF"
EMERGENCY SHUT-DOWN PROCEDURE	
<ul style="list-style-type: none"> 1 EMERGENCY STOP → "ACTIVATE" 2 MAIN FUEL VALVE → "OFF" 3 POWER SWITCH → "OFF" 4 ALL SWITCHES → "OFF" 	

LOCATED ON:
DRYER CONTROL CENTER



LOCATED ON:
DRYER SERVICE CENTER

OPERATION MANUAL

Grain Dryer Information Tags

The Grain Dryer Information Tags are located on the right side of the Electrical Service Center and the Dryer Control Center. The information includes the model and serial number of your grain dryer, as well as the schematic number that the dryer is wired to. Please have this information ready when calling your dealer or the factory for service and/or ordering replacement parts.

The tags also contain important information regarding the electrical specifications for each panel box and fuel specifications of the grain dryer. This information is helpful when determining power and fuel requirements from your local utility supplier.



OPERATION MANUAL

Service Information

Our service department will provide consultation on the installation, operation, and maintenance to you. Also, information from you regarding encountered operation or service problems that are not covered in this manual will be greatly appreciated.

Delux Manufacturing Company has trained service technicians available to assist you in the event you or your dealer cannot correct a problem. A phone call to Delux Manufacturing Company will provide an answer to your service problems.

Delux Manufacturing Company keeps a complete record of each customer order. However, valuable time can be saved if the information below is provided with your inquiry. It is suggested that you obtain the model number and serial number located on the electrical control box enclosure and keep it located for later reference.

Warranty Procedures

All warranty issues, parts and service requests should be handled through your local dealer. In the case no dealer or representative exists in your area, or a conflict of interest exists with your dealer and/or representative, please contact the department of engineering and service at Delux Manufacturing Company for procedures to follow.

Warranty on all defective parts manufactured by Delux Manufacturing Company will be limited to the specifications set forth by the information provided by Delux Manufacturing Company in its standard limited warranty policy. Warranty on all defective parts not manufactured by Delux Manufacturing Company is limited to the warranties provided by that part's manufacturer. This includes, but is not limited to, electric motors, gear heads, valves, regulators and other parts. **Delux Manufacturing Company is not responsible for defective parts not of its manufacture.**

Authorization for credit or replacement under warranty for defective parts or material manufactured by Delux Manufacturing Company will not be issued unless strict compliance is given to the warranty parts return procedures listed below. When contacting Delux Manufacturing Company in regard to the policies and procedures set forth in this manual, direct all correspondence and calls to the department of engineering and service at Delux Manufacturing Company.

Except as specified previously, refer all warranty claims to your dealer.

Warranty parts return and credit procedure:

- 1) Delux Manufacturing Company must be notified by writing or phone within fifteen (15) days after an alleged failure of a part manufactured by Delux Manufacturing Company is discovered. Failure to give such notice within the time specified shall be deemed an admission by the purchaser that the product is as represented and warranted by Delux

OPERATION MANUAL

Manufacturing Company and free from all defects and Delux Manufacturing Company shall be released from any and all claims arising out of or in connection with the sale of the part or product.

- 2) Upon notification from purchaser that a part manufactured by Delux Manufacturing Company has allegedly failed, the failure is covered by the standard limited warranty and the **original warranty registration card** is on file with Delux Manufacturing Company at its Kearney, Nebraska headquarters, arrangements will be made by Delux Manufacturing Company to ship the replacement part to purchaser with freight charged at the standard ground shipping rate.
- 3) Once the replacement part has been shipped, purchaser will receive an invoice for the value of the equipment shipped plus the shipping charges. Purchaser must then fully complete a **return parts tag** identifying the alleged part failure and return said tag along with the allegedly failed part to Delux Manufacturing Company with freight prepaid by purchaser. No warranty credit shall be given to purchaser on allegedly failed parts that are not returned to Delux Manufacturing Company within thirty (30) days from date of the discovery of the alleged failure or within fifteen (15) days from the shipping date indicated upon the invoice sent with the replacement part, whichever date is later. Purchaser must use proper packing material to ensure against damage during shipping. Any shipping damage caused by improper packing is not covered under the standard limited warranty.
- 4) The invoice for the replacement part plus the freight charge remains payable by purchaser until such time as the allegedly failed part has been returned with a completed return parts tag attached and the part has been inspected by Delux Manufacturing Company to determine if the warranty claim is valid. Purchaser will then receive notification from Delux Manufacturing Company as to the receipt of the defective part and Delux Manufacturing Company's findings on the warranty claim within a reasonable time thereafter.
- 5) If the part is found to be defective by Delux Manufacturing Company, Delux Manufacturing Company shall credit the amount owed under the invoice sent with the replacement part except for the freight incurred in shipping the replacement part to purchaser.
- 6) If the part returned by purchaser is found by Delux Manufacturing Company to be functional and operational and in compliance with the manufactured specifications, it will be returned upon request to purchaser at purchaser's cost. If no request is received by purchaser, the part shall be destroyed after a period of ten (10) days. Delux Manufacturing Company's charges for inspection of a non-defective Delux Manufacturing Co part will be subject to the standard hourly rate and zone charges.
- 7) No non-Delux Manufacturing Company labor or non-Delux Manufacturing Company replacement part will be authorized without first an estimate of the cost of part and

OPERATION MANUAL

labor provided to Delux Manufacturing Company. Deviations from this estimate will be solely at the purchaser or dealer's cost.

OPERATION MANUAL

DELUX MANUFACTURING COMPANY STANDARD LIMITED WARRANTY

DELUX MANUFACTURING COMPANY'S WARRANTY OBLIGATIONS ARE LIMITED TO THE TERMS SET FORTH BELOW:

DELUX MANUFACTURING COMPANY WARRANTS TO THE ORIGINAL PURCHASER THAT IF ANY PART MANUFACTURED BY DELUX MANUFACTURING COMPANY IS PROVEN TO BE DEFECTIVE IN MATERIAL OR WORKMANSHIP WITHIN ONE (1) YEAR FROM DATE OF ORIGINAL INVOICE FROM DELUX MANUFACTURING COMPANY AND PURCHASER FOLLOWS THE ABOVE WARRANTY PARTS AND CREDIT PROCEDURE, DELUX MANUFACTURING COMPANY WILL, AT ITS OPTION, EITHER REPLACE OR REPAIR SAID PART AT ITS COST. THIS STANDARD LIMITED WARRANTY DOES NOT APPLY TO ANY DAMAGE RESULTING FROM NEGLIGENT USE, MISUSE, ACCIDENTAL DAMAGE, ABNORMAL OR UNUSUALLY HEAVY USE, NORMAL WEAR AND TEAR, NEGLIGENCE, ABUSE, ALTERATION, IMPROPER INSTALLATION, UNAUTHORIZED REPAIR OR MODIFICATION, POOR OR IMPROPER MAINTENANCE OR USE BEYOND RATED CAPACITY.

THIS WARRANTY AND THE REMEDY SET FORTH ABOVE ARE EXCLUSIVE AND IN LIEU OF ALL OTHERS, WHETHER ORAL OR WRITTEN, EXPRESSED, IMPLIED OR STATUTORY. DELUX MANUFACTURING COMPANY SPECIFICALLY DISCLAIMS TO THE MAXIMUM EXTENT PERMITTED BY LAW ANY AND ALL IMPLIED WARRANTIES OR CONDITIONS AS TO THE PRODUCTS OR ANY OTHER MATTER WHATSOEVER. IN PARTICULAR, BUT WITHOUT LIMITATION, DELUX MANUFACTURING COMPANY SPECIFICALLY DISCLAIMS ANY AND ALL IMPLIED WARRANTIES OR CONDITIONS OF SATISFACTORY QUALITY, MERCHANTABILITY, FITNESS FOR A PARTICULAR PURPOSE, DESCRIPTION, NON-INFRINGEMENT OF THIRD PARTY RIGHTS, ANY ADVICE, INSTRUCTION, RECOMMENDATION OR SUGGESTION PROVIDED BY AN AGENT, REPRESENTATIVE OR EMPLOYEE OF DELUX MANUFACTURING COMPANY REGARDING OR RELATED TO THE CONFIGURATION, INSTALLATION, LAYOUT, SUITABILITY FOR A PARTICULAR PURPOSE, OR DESIGN OF SUCH PRODUCT OR PRODUCTS, OR ANY OTHER WARRANTY ARISING FROM A COURSE OF DEALING OR USAGE OF TRADE. DELUX MANUFACTURING COMPANY RESERVES THE RIGHT TO MAKE DESIGN OR SPECIFICATION CHANGES AT ANY TIME.

THIS STANDARD LIMITED WARRANTY DOES NOT APPLY TO, AND DELUX MANUFACTURING COMPANY MAKES NO WARRANTY TO THE PURCHASER WITH REGARD TO, PARTS AND PRODUCTS NOT MANUFACTURED BY DELUX MANUFACTURING COMPANY. IN THE EVENT AND TO THE EXTENT THAT APPLICABLE LAW DOES NOT ALLOW THE EXCLUSION OF IMPLIED WARRANTIES, THE ABOVE EXCLUSION WITH REGARD TO IMPLIED WARRANTIES MAY NOT APPLY.

DELUX MANUFACTURING COMPANY SHALL NOT BE RESPONSIBLE OR LIABLE FOR ANY LOST PROFITS, DIRECT, INDIRECT, UNFORESEEABLE, SPECIAL, INCIDENTAL OR CONSEQUENTIAL DAMAGES HOWEVER CAUSED AND WHETHER OR NOT DELUX MANUFACTURING COMPANY WAS ADVISED OF THE POSSIBILITY OF SUCH DAMAGES, WHETHER BASED ON CONTRACT, IN TORT OR ANY OTHER LEGAL THEORY. THE REMEDY STATED HEREIN SHALL BE THE SOLE AND EXCLUSIVE REMEDY AVAILABLE UNDER THIS WARRANTY.

DELUX MANUFACTURING COMPANY ASSUMES NO RESPONSIBILITY FOR FIELD MODIFICATIONS OR ERECTION DEFECTS WHICH CREATE STRUCTURAL OR STORAGE QUALITY PROBLEMS, MODIFICATIONS TO THE PRODUCT NOT SPECIFICALLY COVERED BY THE CONTENTS OF THE DELUX MANUFACTURING COMPANY SERVICE MANUAL WILL NULLIFY ANY PRODUCT WARRANTY THAT MIGHT HAVE BEEN AVAILABLE OTHERWISE.

NO DELUX MANUFACTURING COMPANY DISTRIBUTOR, RESELLER, DEALER, AGENT OR EMPLOYEE IS AUTHORIZED TO MAKE ANY MODIFICATIONS, EXTENSION OR ADDITION TO THIS WARRANTY. DELUX MANUFACTURING COMPANY SHALL NOT BE RESPONSIBLE FOR ANY CHARGES INCURRED IN THE REPAIRING OR SERVICING OF ANY DELUX MANUFACTURING COMPANY PRODUCT OR PART EXCEPT AS SUCH REPAIRS ARE MADE BY AUTHORIZED DELUX MANUFACTURING COMPANY FIELD SERVICE PERSONNEL OR AS APPROVED IN WRITING FROM DELUX MANUFACTURING COMPANY.

PRIOR TO INSTALLATION, PURCHASER IS RESPONSIBLE FOR RESEARCHING AND COMPLYING WITH ALL FEDERAL, STATE AND LOCAL STATUTES, REGULATIONS AND/OR CODES WHICH MIGHT APPLY TO THE LOCATION AND INSTALLATION OF THE DELUX MANUFACTURING COMPANY PRODUCT.

OPERATION MANUAL

Additional disclaimer of warranty:

All manufacturer label products not manufactured by Delux Manufacturing Company are excluded from coverage under the Delux Manufacturing Company standard limited warranty.

No electric motor warranty:

Delux Manufacturing Company's standard limited warranty does not cover any and all electric motors used by Delux Manufacturing Company in its products. Purchaser's sole claim for warranty on these electric motors lies with the motor's manufactures. In such event, purchaser's dryer service manual contains a list of the motor manufacture's service centers where all further inquiries regarding the motor and its warranty should be placed. Under no circumstances whatsoever will Delux Manufacturing Company be liable for an unauthorized electric motor repair by a local motor shop or electrician.

Return merchandise procedures:

1. **CONTACT:**
DELUX MANUFACTURING COMPANY
4650 AIRPORT ROAD
P.O. BOX 1027
KEARNEY, NE 68848-1027

PHONE: 308-237-2274 TOLL FREE: 800-658-3240
FAX: 308-234-3765 WEB: <http://www.deluxmfg.com>

Ask for an **RMA #**. In that request, identify the merchandise you wish to return, its condition and the invoice on which it was originally billed.

2. After receipt of the return parts tag, ship the item(s) with prepaid freight along with the return parts tag to Delux Manufacturing Company. A 15% restocking fee will be charged on all merchandise returned thirty (30) days after the original date of purchase.
3. Once the merchandise has been received and inspected by Delux Manufacturing Company, if appropriate a credit will be issued to your account.
4. Any merchandise returned that has been used or abused will not receive a credit to your account. Shipments of incorrect merchandise due to miss-ordering by the purchaser are also subject to a 15% restocking fee.

Out of warranty service:

Dryers requiring Delux Manufacturing Company repair work will be repaired at the standard service charges (hourly labor charge, trip charge (includes cost of lodging, meals, and mileage costs), plus parts). The repaired parts will carry a thirty (30) day limited warranty. The same exclusions and limitations of the Delux Manufacturing Company standard limited warranty policy referenced above also apply to this thirty (30) day limited warranty.

OPERATION MANUAL

Terms:

Delux dryers requiring service for customers who have an established line of credit will be invoiced for services rendered. Customers not having an established line of credit will be on cash in advance or cash on completion of service basis. All service or repair work rendered by authorized Delux service personnel must be invoiced through an existing authorized Delux Manufacturing Company dealer.

OPERATION MANUAL

Dryer Controls

Overview

This manual covers the controls and operation of all Delux Grain Dryers equipped with the MoistureLink GX™ Dryer Control System. This manual should be read in its entirety to familiarize the user with the functionality of the dryer controls. The intent of this manual is to guide the user in the operation of the control; however, it is recommended that the user consult a qualified dealer technician or the factory before servicing any components that are part of this system.



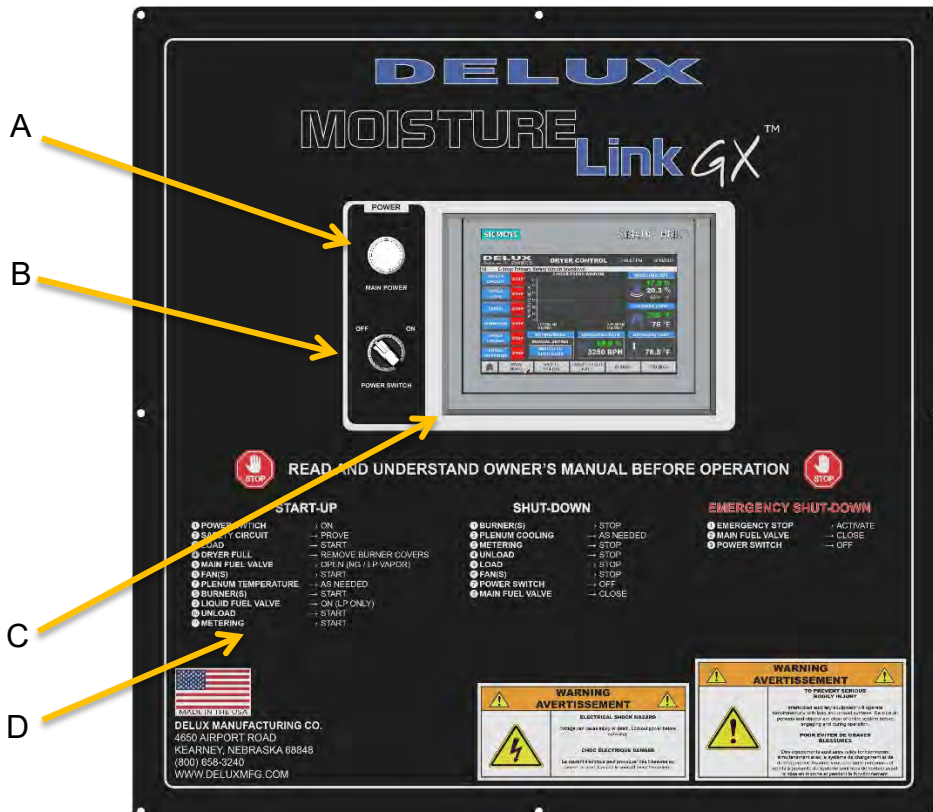
Shutdown & lockout power before removing any guards or covers to access mechanical parts that may be a part of this system.

The control of your grain dryer requires the operator to interact with the mechanical toggle switches as well as the touch screen (HMI/Human Machine Interface) of the DCC (Dryer Control Center). This control system utilizes a combination of a PLC/HMI, discrete input/output cards, analog input/output cards and interface relays.

The control voltage of the system is a combination of 24VDC and 120VAC. The 24VDC is commonly used as power through switches and auxiliary contacts and then used as an input returned to the PLC. It is also used as output from the PLC to drive 24VDC interface relays. 120VAC is used to power the flame system(s), DC drive, temperature control & motor starter coils. Both 24VDC & 120VAC wires from the DCC are connected to wires coming from the high voltage ESC (Electrical Service Center).

OPERATION MANUAL

Navigation

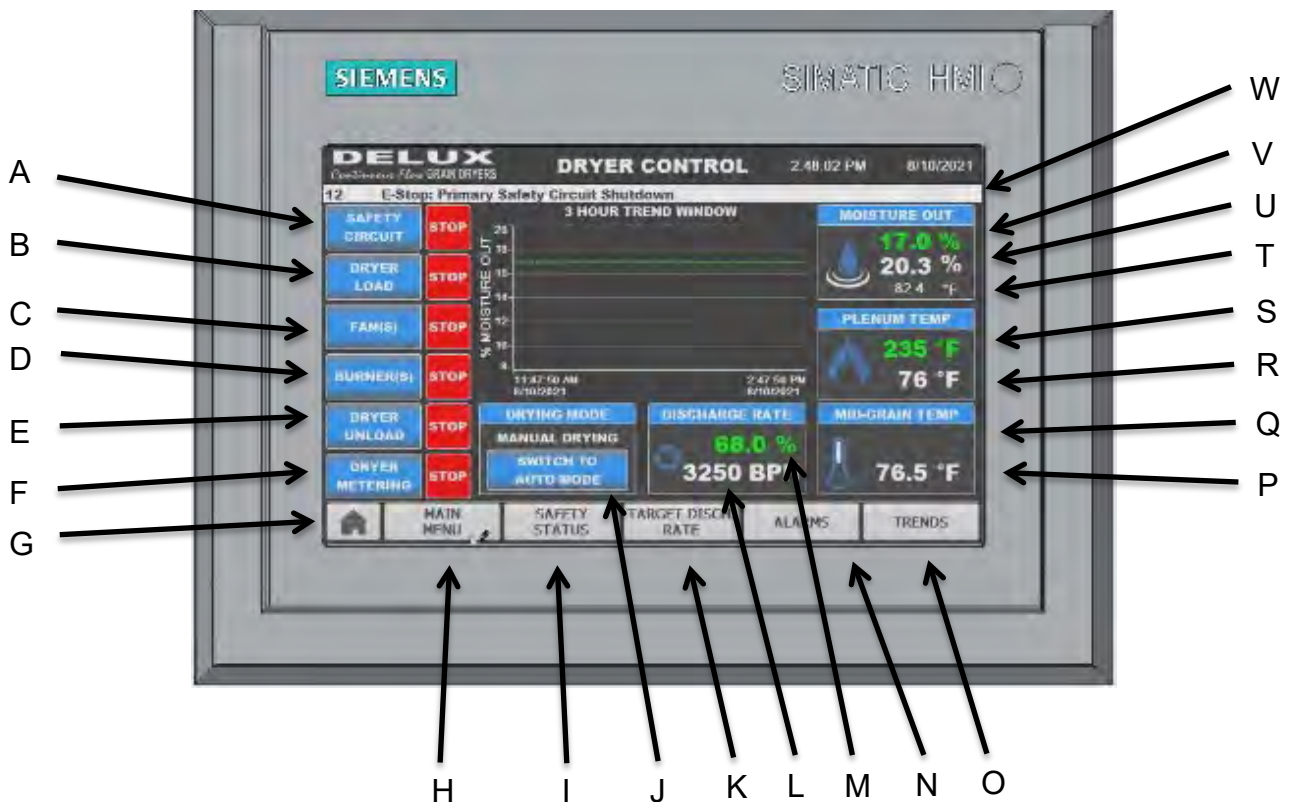


DCC Control Panel

- **A) MAIN POWER LIGHT:** When illuminated, this indicates that both the DCC (Dryer Control Center) and ESC (ELECTRIAL SERVICE CENTER – HIGH VOLTAGE) have power.
- **B) POWER SWITCH:** Turning the switch to ON position energizes control panel power and the HMI screen.
- **C) HMI SCREEN:** The touchscreen is the command center of the dryer. All operational control is achieved through this touchscreen.
- **D) STARTUP / SHUTDOWN / EMERGENCY SHUT-DOWN:** These are summarized procedures to aid in the operation of the dryer. Refer to the rest of this manual for detailed operation.

OPERATION MANUAL

The HOME SCREEN shows the operator an overview of the grain dryer. The screen is touch sensitive and the operator interacts with the system by touching the desired field or variable to change it. Fields that are **GREEN** are fields or variables in which the user may change. Fields that are **WHITE** are fields or variables in which the user may not change and are READ-ONLY.



- **A) PRIMARY SAFETY CIRCUIT:** When pressed, the safety circuit is checked. If the circuit is OK, then the STOP button will be illuminated, and the circuit is proven. If the SAFETY CIRCUIT button is pressed and there is a fault in the circuit, the SAFETY STATUS screen will pop up for a short period to display where the fault is located. This circuit must be proven for all other dryer functions. Press STOP to de-energize the safety circuit.
- **B) DRYER LOAD CIRCUIT:** Visible when the primary safety circuit is proven. When pressed, the dryer fill circuit is energized. This will include any auxiliary load equipment. The high/low grain switch in the garner is a secondary switch that controls the continuous cycle of filling the dryer. Press STOP to de-energize the load circuit.
- **C) FAN CIRCUIT:** Visible when the primary safety circuit is proven. When pressed, the fan circuit is energized. The operator must hold the FAN(S) button until all fans have

OPERATION MANUAL

started. There is a typically a 3 second delay between each fan starting. Press STOP to de-energize the fan circuit.

- **D) BURNER CIRCUIT:** Visible when the burner safety circuit is proven, and the plenum has purged. When pressed, the burner circuit is energized. The operator must hold the BURNER(S) button until all burners have proven flame, or the cycle sequence is timed out. If any of the burner's do not prove flame, then the system will time out and the cycle must be restarted. Press STOP to de-energize the fan circuit.
- **E) DRYER UNLOAD CIRCUIT:** Visible when the primary safety circuit is proven. When pressed, the dryer unload circuit is energized. This will include any auxiliary unload equipment. Press STOP to de-energize the unload circuit.
- **F) DRYER METERING:** Visible when the dryer unload circuit is energized. When pressed, the dryer metering circuit is energized. This circuit controls the metering of grain from the dryer. Press STOP to de-energize the dryer metering circuit.
- **G) HOME:** Returns the operator to the Dryer Control (Home) screen from anywhere during navigation.
- **H) MAIN MENU:** Displays the main menu of HMI operator panel.
- **I) SAFETY STATUS:** Displays the components and status of both the primary safety and burner safety circuits.
- **J) DRYING MODE:** Toggle and display of the current drying mode.
- **K) TARGET DISCHARGE RATE:** Displays the target discharge rate screen where the user can enter drying variables and obtain a target rate of discharge (manual mode)
- **L) BPH RATE:** Rate of discharge from the dryer in either mode.
- **M) DISCHARGE RATE (%):** Rate of discharge from the dryer in either mode as a percentage. When the dryer is in manual mode the % rate of discharge can be changed. When the dryer is in automatic mode, the % rate of discharge is controlled by the moisture algorithm and can't be changed.
- **N) ALARMS:** Displays the alarm screen and alarm buffer of uncleared events.
- **O) TRENDS:** Displays the trend screen for discharge moisture and mid-grain temperature.

OPERATION MANUAL

- **P) MID-GRAIN TEMP PV:** Displays the process value indicates the grain temperature in the column, midway through the dryer. The mid-grain temperature and setpoint are significant values in the algorithm that keeps the desired moisture when exiting the dryer.
- **Q) MID-GRAIN TEMP SP:** Displays the setpoint value indicates the desired grain temperature in the column, midway through the dryer. This value is only visible when the dryer is in automatic mode.
- **R) PLENUM TEMP PV:** Displays the process value indicates the current drying temperature in the plenum (burner chamber).
- **S) PLENUM TEMP SP:** Displays the setpoint value indicates the desired drying temperature in the plenum (burner chamber).
- **T) DISCHARGE GRAIN TEMP:** Displays the grain temperature of the grain discharging from the dryer.
- **U) DISCHARGE GRAIN MOISTURE PV:** Displays the discharge grain moisture exiting the dryer.
- **V) DISCHARGE GRAIN MOISTURE SP:** Displays the discharge grain moisture setpoint.
- **W) ALARM BUFFER:** Displays the top line only of the alarm buffer.

OPERATION MANUAL

Startup Procedure

Safety Considerations



A clean dryer is an efficient dryer. Thorough inspection of the plenum heat chamber and vacuum cooling chamber and cleaning if necessary is recommended at least every 24 hours of operation. Install burner covers provided with dryer before cleaning to reduce amount of dust and foreign material falling into fan hubs and burners. Clean screens on inside of plenum heat chamber, then remove dust and foreign material from plenum floor. Inspect cooling chamber and clean if necessary. Check the outside screens and clean if necessary. The area around dryer should also be kept clean. **Accumulation of material on the heat deck, inner screens or cooling floor can lead to dryer fires! Do not assume that the dryer is staying clean on the inside. Check the dryer regularly and clean as needed.**

Do not leave the burner covers in the plenum while drying. They can interfere with the flow of air and foreign material through the Stay-Kleen system (see below).

Stay-Kleen Operation & Maintenance

The Stay-Kleen design provides a path for the fines, dust and foreign material that enters into the heat and cool chambers of the dryer to escape back into the grain flow and discharge. Certain drying conditions and poor grain quality will affect the efficiency of the Stay-Kleen system.

There are adjustable filler plates added to each side of the cooling floor cover. These allow you to narrow the gap between the center walk plate and the screen to keep larger, lighter weight foreign material from being drawn back up into the cooling section. The default setting for these plates is ¼" gap. Different grain conditions may influence the need to adjust this gap. Delux does not recommend more than a ¼" gap.

The Stay-Kleen system operates best with the fresh air intakes open as far as possible (See item 2 below). If it is necessary to close the intakes some to better cool the grain, be extra attentive to the cleanliness of the inner chambers.

1) Check dryer thoroughly before starting

- 1.1.** Check and clean screens and plenum and cooling chambers.
- 1.2.** Check metering system for foreign material and clean.
- 1.3.** Check augers and auxiliary equipment for correct rotation.

OPERATION MANUAL

2) Fresh-air intake ports

2.1. Fresh-air intake ports are provided to allow fresh air to flow directly to the fan(s). The fan(s) cannot receive enough air directly through the grain being cooled so fresh-air intake ports are provided. These ports allow the operator to have more control over the outgoing temperature of the product being dried.

2.2. Settings: Open the doors that are labeled 'Full Open', located directly on the fan(s), full open. Open other doors labeled 'As Needed' as far as possible while still cooling the grain as needed. When the grain is not cool enough close the doors down that are not located directly on the fan(s) - when grain is too cool open these doors. Keep all doors that are being adjusted the same as each other. When drying low moisture products, it may be necessary to adjust the plenum temperature down to get the product as cool as desired.

2.3. **CAUTION: Having the fresh air intake doors closed too far can decrease capacity and cause excessive heat which could result in uneven moisture content of discharge grain and in extreme conditions, fires on the heat deck or cooling floor.**



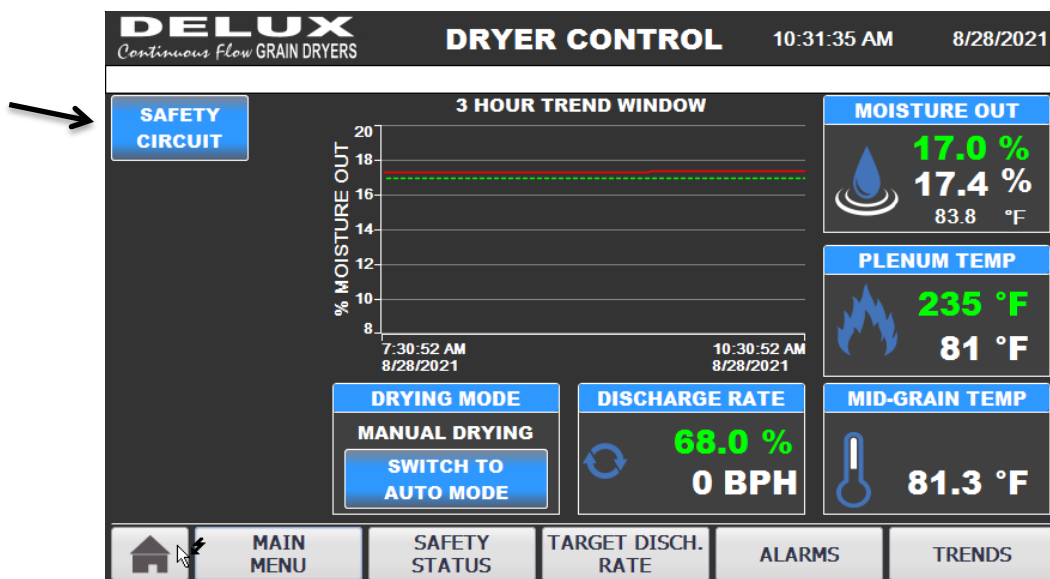
3) Turn all switches to the OFF position

4) Turn dryer main disconnect ON

4.1. Main power light will illuminate.

5) Turn on POWER SWITCH to the ON position

5.1. Wait for the HOME screen to appear on the HMI screen.



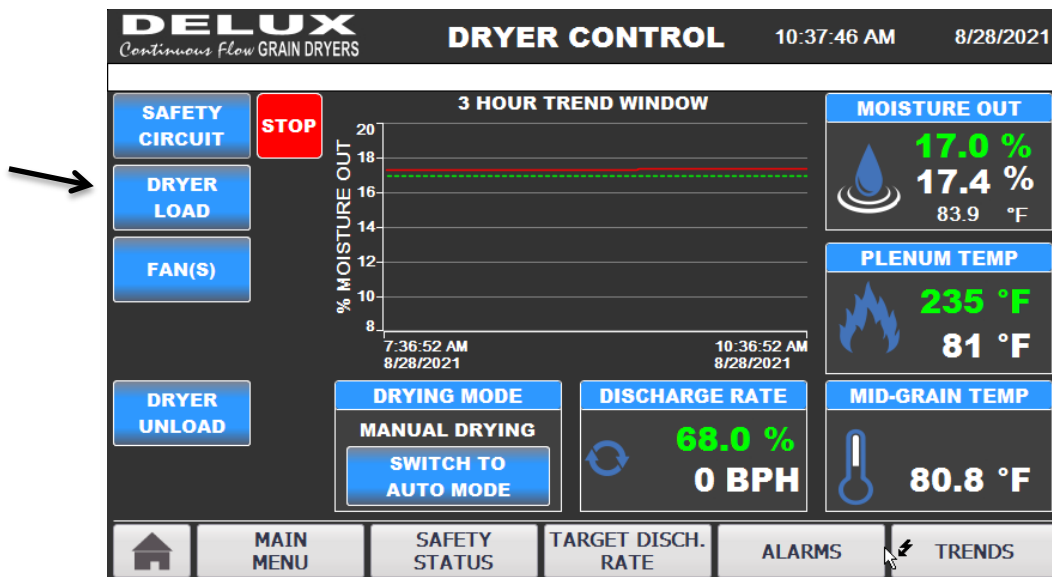
OPERATION MANUAL

5.2. After the screen appears, press and hold the SAFETY CIRCUIT button. This proves the PRIMARY SAFETY circuit so the dryer can start. If the primary safety circuit doesn't prove, a popup showing the safety circuit devices will appear. Check to make sure that all the PRIMARY SAFETY indicators are illuminated and correct the ones that may not be illuminated.

5.3. If the PRIMARY SAFETY circuit proves the STOP button will be visible beside the SAFETY CIRCUIT button.

6) To fill with wet grain

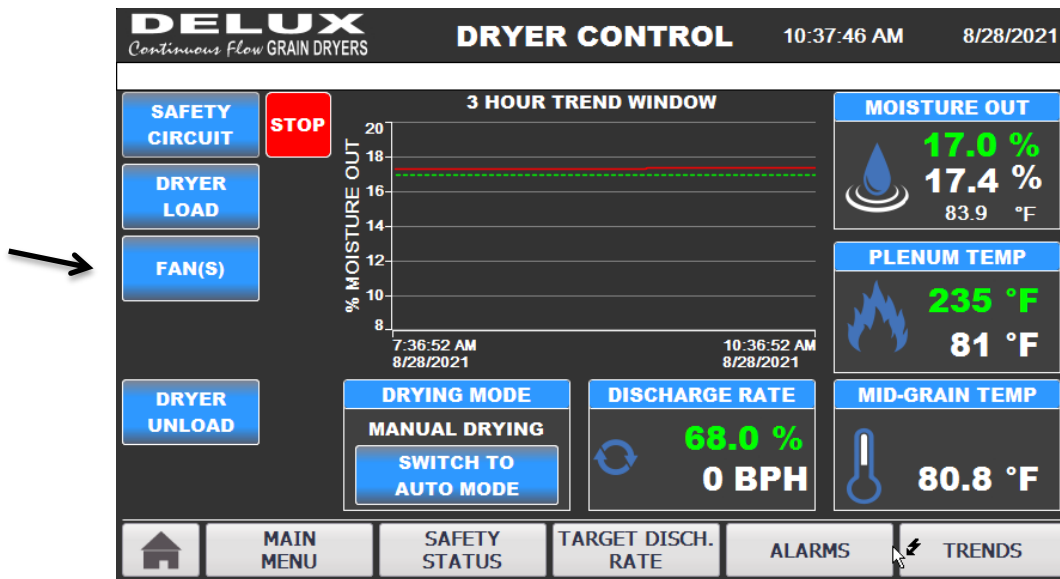
6.1. Press DRYER LOAD button. The load system circuit will be activated and will fill the dryer. When the dryer is full of grain, the high grain shutdown will shut off all loading equipment automatically. The filling cycle will continue as long as the DRYER LOAD circuit remains active and the dryer is discharging grain. Press STOP to de-energize the DRYER LOAD circuit.



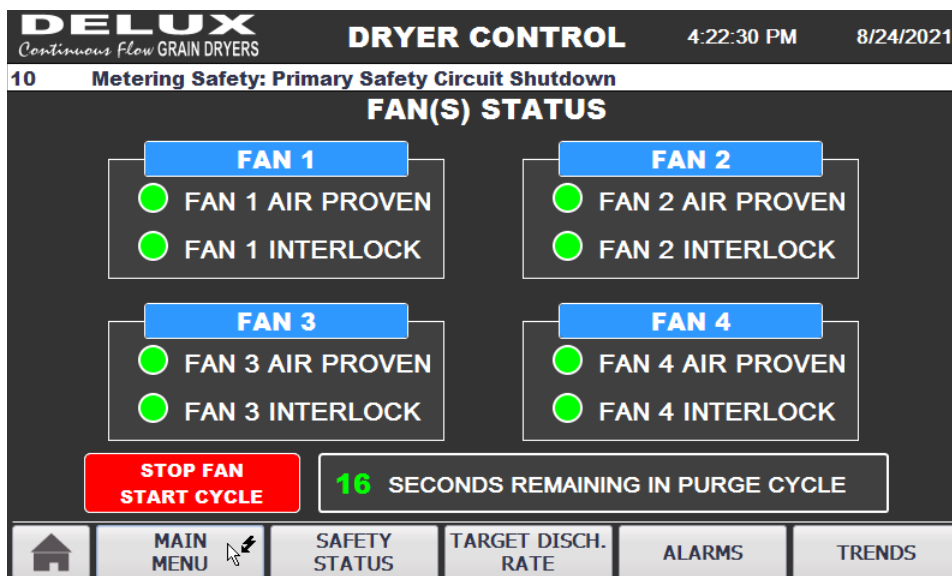
OPERATION MANUAL

7) To start fan(s)

7.1. Press FAN(S) button until all fans start, then release.



7.2. A three second delay between fans starting should be expected. AIR PROVEN indicators will come on as each air switch proves. The PLENUM PURGING indicator will come on after fan(s) prove.



OPERATION MANUAL

7.3. The BURNER SAFETY circuit must be proven for the dryer to start the PURGE CYCLE. If the dryer will not go into the PURGE CYCLE check the HIGH LIMIT indicator or LOW GRAIN switches.

7.4. When the dryer completes the 30 second purge cycle, the HMI will return to the HOME SCREEN automatically. The BURNER(S) button should also be visible at this point.

8) To start burner(s)

8.1. Turn on fuel supply to the dryer.

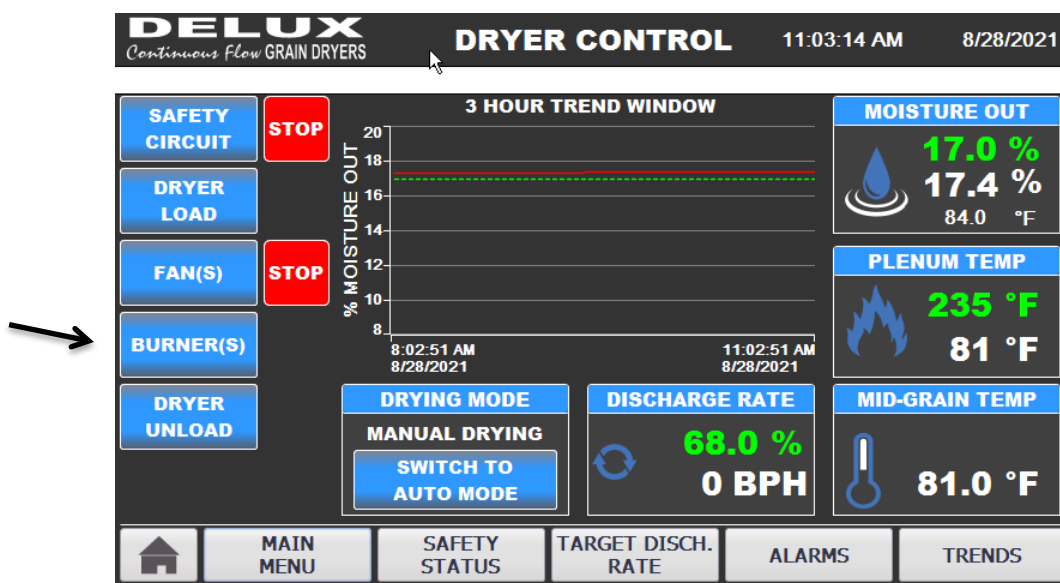
8.1.1. NATURAL GAS - Open manual valve.

8.1.2. LIQUID PROPANE - Open at supply tank. Open quick acting valve and ball valve on dryer.



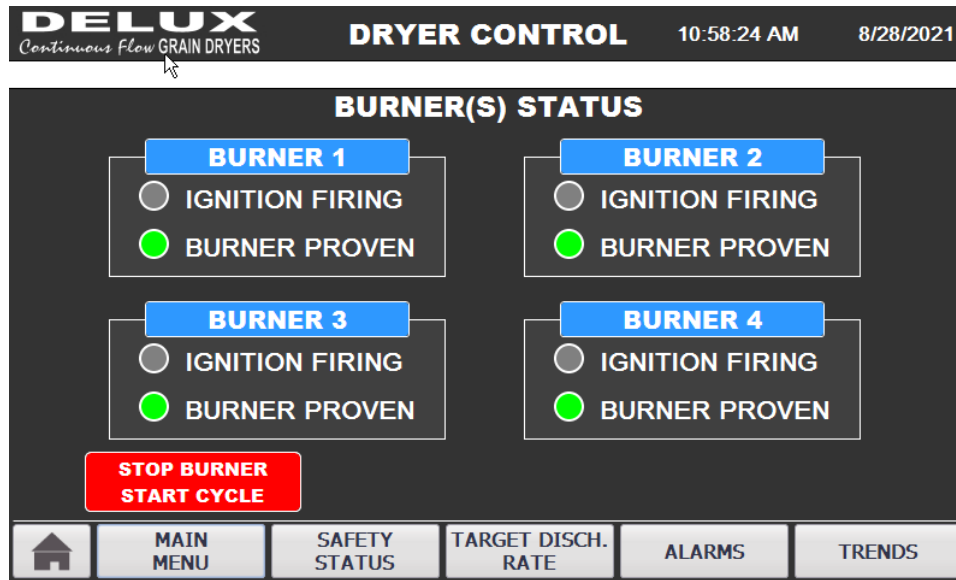
8.1.3. **LP GAS NOTE: Dryer must be started on vapor until internal vaporizer is warm, then switched to liquid. Tank must have both vapor and liquid draw available to dryer.**

8.2. Press and hold the BURNER(S) button.



OPERATION MANUAL

8.3. After a short delay, the ignition firing light(s) will come on and the gas solenoid valves are energized. (If equipped with a manual Maxon valve, the handle should always be back towards the dryer to start. When energized, pull the handle forward until 'Open' is indicated.)



8.4. Within a few seconds the burner proven indicator(s) will come on showing burner(s) have proven flame. As burner proven indicator(s) come on the ignition firing light(s) will go off.

8.5. Adjust fuel pressure



8.5.1. **Natural Gas** - 8 to 12 PSI - **Do not exceed 20 psi.**

8.5.2. **LP Gas** - 10 to 12 PSI - **Do not exceed 20 psi.**

8.6. Adjust plenum set point for desired operating temperature. Press the set point field on the HMI screen to change plenum temperature. (See table below for plenum temperatures for various crops.)

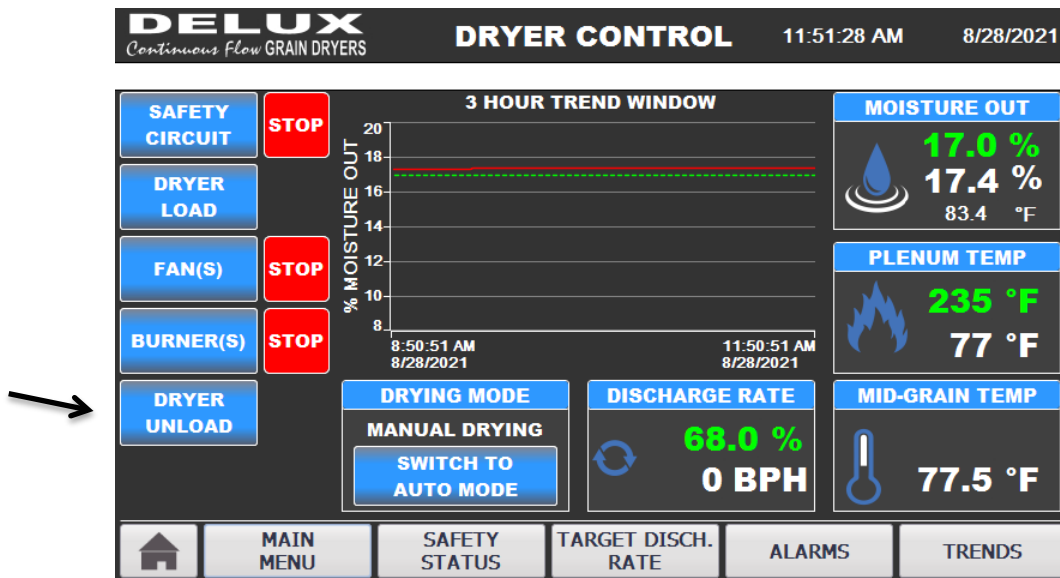
SUGGESTED PLENUM TEMPERATURES

BARLEY	120-140 °F
CORN	190-210 °F
FLAX	120-130 °F
MILO	160-180 °F
MUSTARD SEED	110-130 °F
OATS	120-140 °F
RICE	115-125 °F
RYE	120-140 °F
SOYBEANS	140-160 °F
SUNFLOWER	120-130 °F
WHEAT	160-180 °F

9) To start unload

OPERATION MANUAL

- 9.1. Press the DRYER UNLOAD button to start the discharge auger/drag and other auxiliary handling equipment.

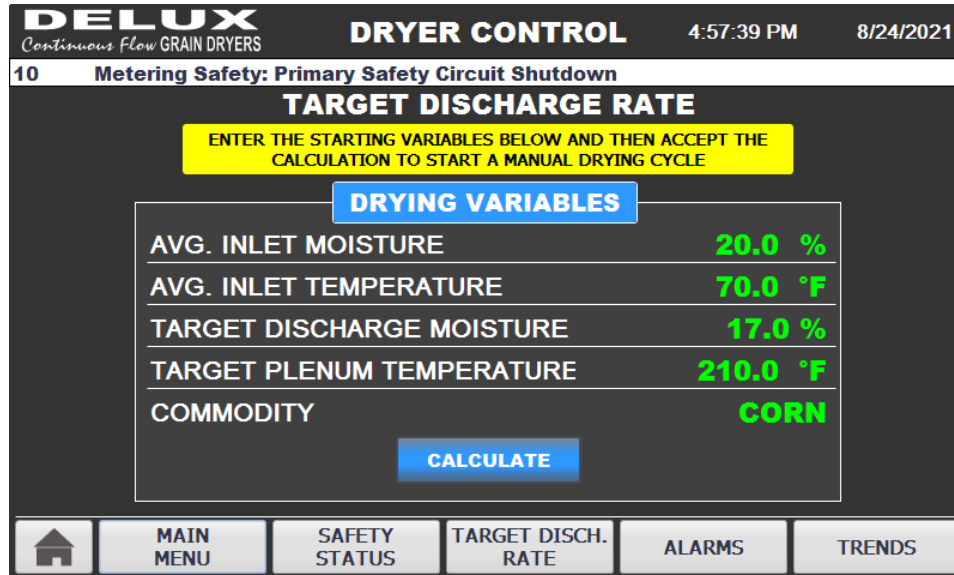


10) Setting discharge rate (AUTOMATIC/MANUAL MODE)

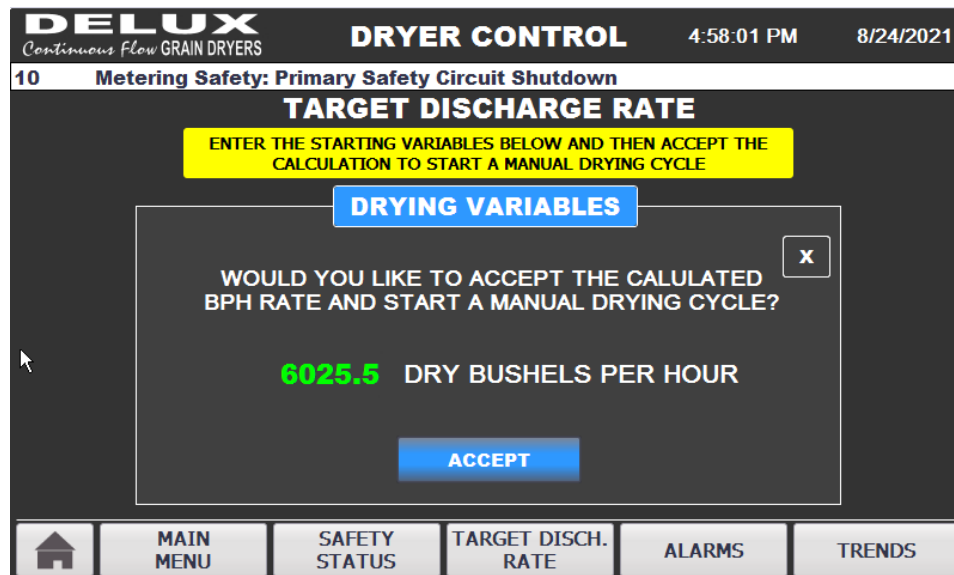
- 10.1. For the first batch of grain through the dryer at harvest, the operator should input the approximate incoming moisture, temperature, desired output moisture, plenum temperature and commodity. The PLC then uses this information to start a MANUAL DRYING CYCLE through the dryer. After a complete cycle of grain has entered and exited the dryer, the operator will determine whether the discharge moisture content is stable and close enough to the target discharge moisture. If so, the operator can proceed to switching the system to AUTO mode. After the dryer is placed into AUTO mode, the controller captures the mid grain temperature and will vary the output from there on.

OPERATION MANUAL

- 10.2. Press the MAIN MENU icon at the bottom of the HMI screen to view the MAIN MENU. Then press the CALCULATE SCREEN. The screen below is shown.



- 10.3. Enter the variables and press the CALCULATE key at the bottom of the screen.

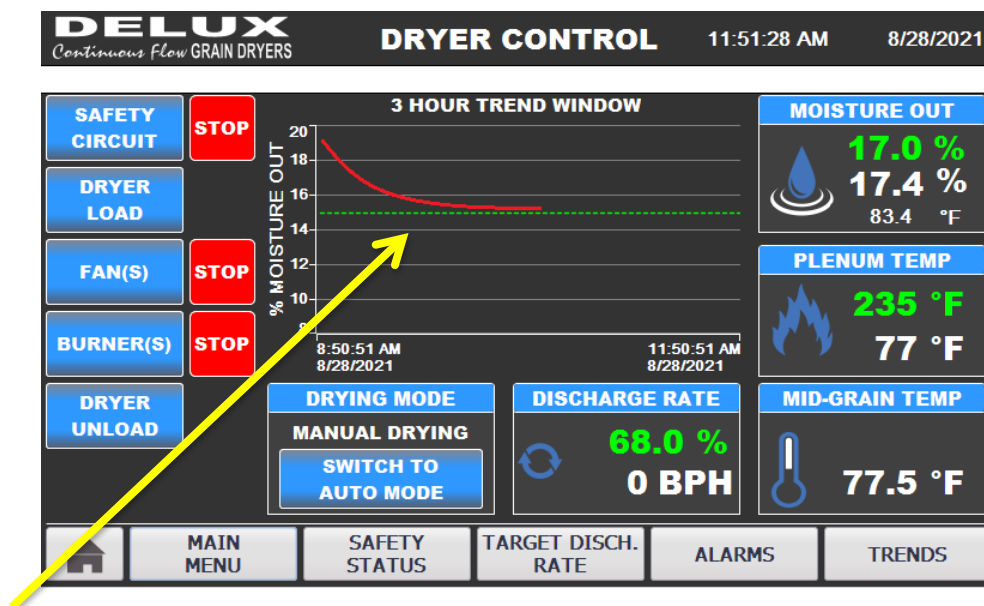


- 10.4. Press ACCEPT to start the manual drying cycle or close the pop-up to edit the variables or abandon the calculation.

- 10.5. The operator may also use this calculation when the dryer isn't responding to efforts to effectively control the desired moisture output in AUTO mode.

OPERATION MANUAL

- 10.6. Allow the dryer time to completely process the grain that was at top of the dryer when the cycle was started. This can be calculated by using the BPH RATE that the dryer used to start the cycle and the total holding capacity of the dryer. For example, if the dryer started a cycle at the rate above of 563.3 BPH and the holding capacity for the dryer is 1000 bushels, the minimum time before the operator would want to make any adjustment would be 1.8 Hours or about 108 minutes ($1000 \text{ Bu.} / 563.3 \text{ BPH} = 1.77$) (For listed holding capacities, refer to literature or specification charts)
- 10.7. Once the dryer has been allowed to run a complete cycle of grain through, and the difference between the AVERAGE MINUTE MOISTURE and SET POINT MOISTURE is 0.5% or less, the dryer can be switched to AUTO mode from the HOME SCREEN.
- 10.8. If the moisture difference is larger than 0.5% adjust the discharge rate in MANUAL mode from the HOME SCREEN using the UP/DOWN arrow keys. Do not make more than a 10% speed rate adjustment at one time. Repeat until the moisture difference is 0.5% or less and the dryer can be placed in AUTO mode.
- 10.9. Another way of determining that the discharge moisture has “bottomed out” is by looking at the 3 HR TREND WINDOW. When the red line (discharge moisture content) has flattened out, the rate can be changed. Adjust the discharge rate manually to get closer to the target moisture or the dryer can be placed in AUTO mode.



OPERATION MANUAL

11) Setting discharge rate (MANUAL MODE)

11.1. Follow the steps outlined in step 10 (above) except leave the dryer in MANUAL mode when the desired output moisture has been achieved. Adjust % discharge rate on the HOME SCREEN as needed for incoming moisture fluctuations.

12) Setting discharge rate (AFTER SHUTDOWN)

12.1. If the dryer had been running in AUTO mode prior to a shutdown, the mid grain set point is still established and the dryer can startup in AUTO mode. Once the burners have been lit and the plenum has reached the desired operating temperature, the DRYER UNLOAD and DRYER METERING circuits can be activated. The feedrolls will slowly start to turn as the grain in the dryer starts to warm up. There will be a slight over/under drying period while the dryer begins to stabilize. Do not switch the controller to MANUAL mode at any point before or during the warm up period. This would erase the original mid-grain set point from the previous AUTO drying period.

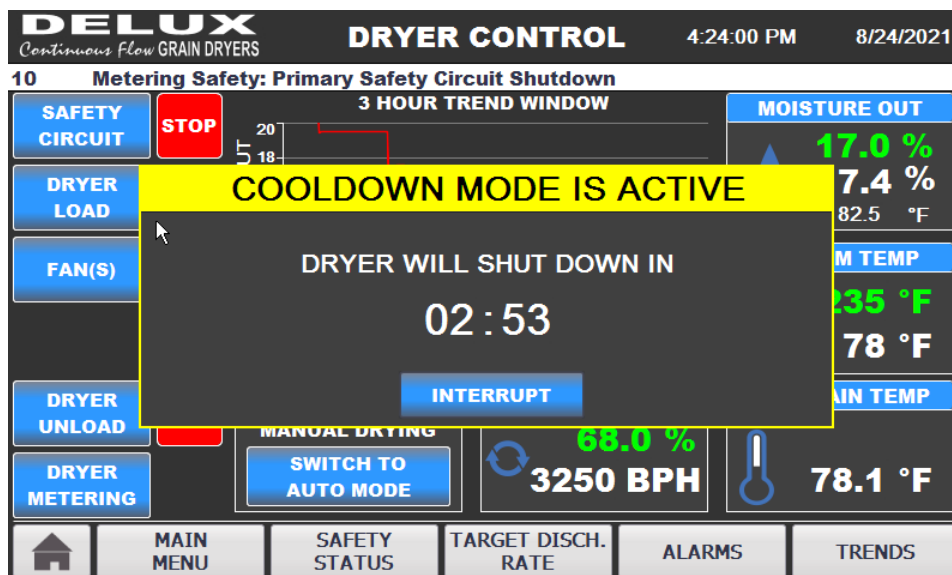
12.2. If the dryer had been running in MANUAL mode prior to shutdown, wait for the plenum temperature to reach the desired operating temperature. Then, activate the DRYER UNLOAD and DRYER METERING circuits and continue running in MANUAL mode or use the CALCULATE button to start a MANUAL DRYING CYCLE.

13) Dryer Shutdown

13.1. Press STOP next to the BURNER(S) button to turn off the burners.

Note: To clear the lines of fuel - turn OFF fuel supply at tank or dryer with burner switch in ON position. As soon as pressure gauge on dryer drops to zero, immediately switch burner switch to OFF as noted above to avoid burner safety lockout.

13.2. Allow the cooling timer to shut the dryer down or interrupt the cooldown cycle and shut the dryer off manually.



OPERATION MANUAL

- 13.3.** If the dryer is shut down manually, give the grain time to cool. **(In automatic mode, continue discharging grain from the dryer. This will help under/over drying when starting the dryer back up)**
- 13.4.** Press STOP next to the DRYER METERING button to turn of feedrollers.
- 13.5.** Press STOP next to the DRYER UNLOAD button to stop discharge auger or conveyor.
- 13.6.** Press STOP next to the FAN(S) button to stop the fans.
- 13.7.** Press STOP next to the DRYER LOAD button to stop the fill auger.
- 13.8.** Press STOP next to the SAFETY CIRCUIT button to open the safety circuit.
- 13.9.** Turn off MAIN POWER switch.
- 13.10.** Turn off main disconnect to dryer.
- 13.11.** Turn of manual fuel supply valve to dryer.

14) EMERGENCY SHUTDOWN

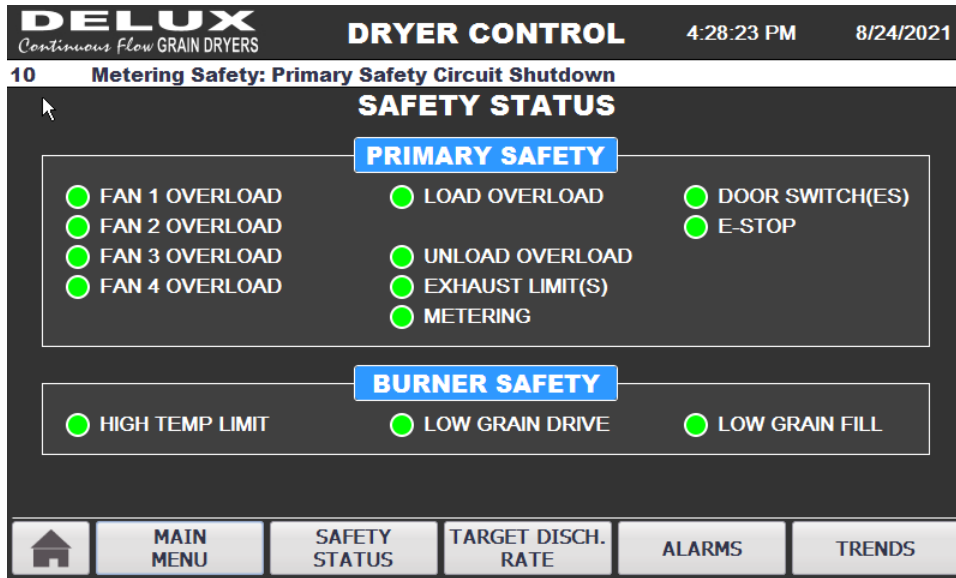
- 14.1.** Activate EMERGENCY STOP switch.
- 14.2.** Turn OFF manual fuel supply.
- 14.3.** Turn OFF main power switch
- 14.4.** Turn OFF main disconnect to dryer

OPERATION MANUAL

General Operation

Safety Status

MAIN MENU → SAFETY STATUS

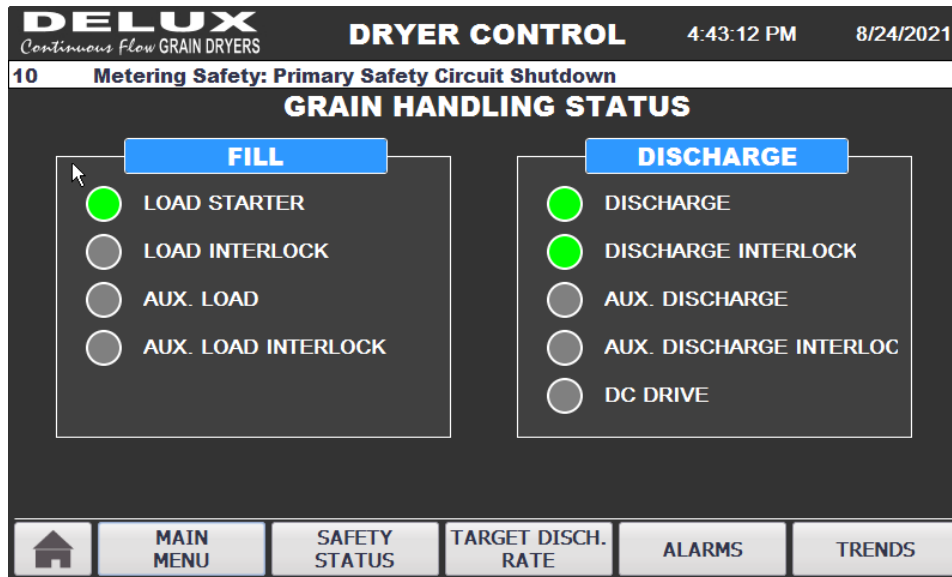


The Safety Status screen allows the operator to check the status of the safety circuit switches located in and around the dryer. This helps when troubleshooting problems with the dryer.

OPERATION MANUAL

Grain Handling Status

MAIN MENU → GRAIN HANDLING STATUS

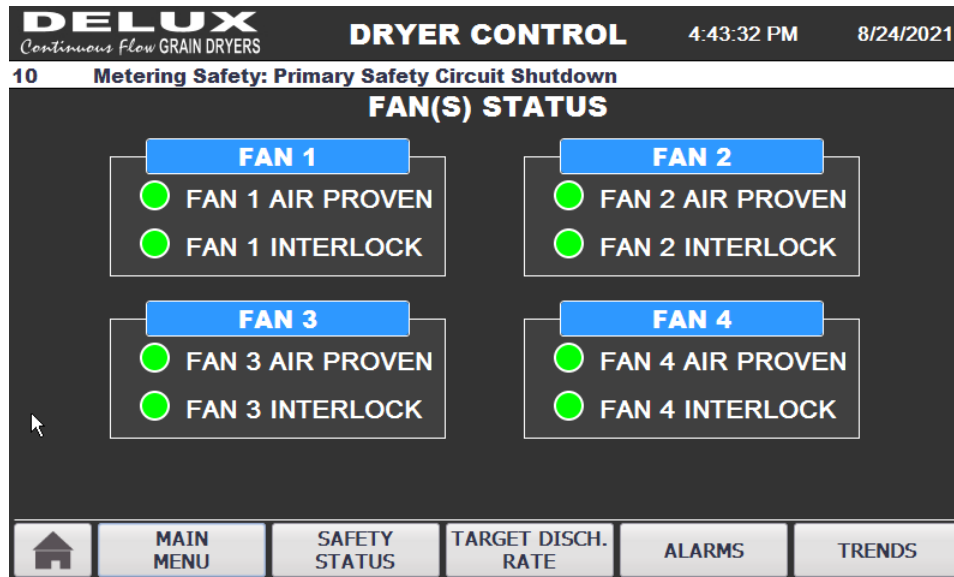


The Grain Handling Status Screen allows the operator to see the current state of the handling equipment. When the corresponding starter indicator(s) are active, output power from the PLC is signaling for that motor to start. When the corresponding interlock is active, power has passed through a set of normally open contacts on the starter and is being applied as an input to the PLC.

OPERATION MANUAL

Fan Status

MAIN MENU → FAN(S) STATUS

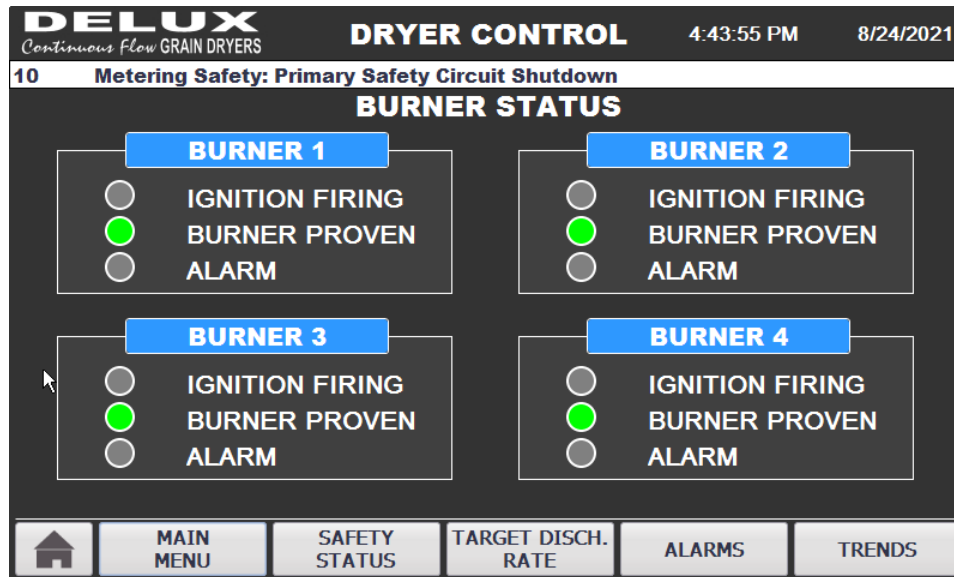


The Fan Status Screen allows the operator to see the current state of each of the dryer fans. When the corresponding starter indicator(s) are active, output power from the PLC is signaling for that motor to start. When the corresponding interlock is active, power has passed through a set of normally open contacts on the starter and is being applied as an input to the PLC. When an AIR PROVEN indicator is active it signals that the airflow has been proven for that fan.

OPERATION MANUAL

Burner Status

MAIN MENU → BURNER STATUS



The Burner Status Screen provides information on the current state of each individual burner. When the IGNITION FIRING indicator is active the dryer is sending power to the ignition transformer and the spark plug ignites the fuel. The fuel manifold solenoids also open during this time period. When the BURNER PROVEN indicator is active the burner has lit and has proven flame. The ALARM indicator will be active if the flame control is locked out for a specific reason. If the ALARM is active for one or more burners, press the RESET FLAME CONTROL button to reset the flame controls and start again.

OPERATION MANUAL

Calculate Rate

MAIN MENU → TARGET DISCHARGE RATE

DELUX DRYER CONTROL 4:57:39 PM 8/24/2021
Continuous Flow GRAIN DRYERS

10 Metering Safety: Primary Safety Circuit Shutdown

TARGET DISCHARGE RATE

ENTER THE STARTING VARIABLES BELOW AND THEN ACCEPT THE CALCULATION TO START A MANUAL DRYING CYCLE

DRYING VARIABLES

AVG. INLET MOISTURE	20.0 %
AVG. INLET TEMPERATURE	70.0 °F
TARGET DISCHARGE MOISTURE	17.0 %
TARGET PLENUM TEMPERATURE	210.0 °F
COMMODITY	CORN

CALCULATE

HOME MAIN MENU SAFETY STATUS TARGET DISCH. RATE ALARMS TRENDS

The Target Discharge Rate Screen aids the operator in determining where to set the discharge rate for desired moisture output. (See *moisture setup for more information*)

OPERATION MANUAL

Sensor Calibration

MAIN MENU → SENSOR CALIBRATION

DELUX
Continuous flow GRAIN DRYERS

DRYER CONTROL 5:08:17 PM 8/24/2021

10 Metering Safety: Primary Safety Circuit Shutdown

SENSOR CALIBRATION

	CAPTURED TEMP	RAW MOISTURE	CAPTURE MOISTURE	ACTUAL MOISTURE
SAMPLE 1	24.7 °F	3.77 mA	16.97 %	19.90 %
SAMPLE 2	26.4 °F	3.37 mA	13.71 %	19.10 %
SAMPLE 3	28.5 °F	3.30 mA	13.05 %	17.70 %
SAMPLE 4	28.8 °F	3.21 mA	12.31 %	17.20 %
SAMPLE 5	29.9 °F	3.14 mA	11.70 %	16.60 %
SAMPLE 6	32.4 °F	3.03 mA	10.62 %	15.20 %

CLEAR TABLE FACTORY RESET CALIBRATE

HOME MAIN MENU SAFETY STATUS TARGET DISCH. RATE ALARMS TRENDS

DELUX
Continuous flow GRAIN DRYERS

DRYER CONTROL 5:08:41 PM 8/24/2021

10 Met

PLEASE SELECT THE TYPE OF CALIBRATION

SIMPLE

THIS CALIBRATION RECONFIGURES THE OFFSET OF THE MOISTURE SENSOR. IT IS RECOMMENDED WHEN THE SENSOR IS CONSISTENTLY OFF THE SAME AMOUNT OVER A RANGE OF MOISTURE READINGS.

CALCULATE

ADVANCED

THIS CALIBRATION RECONFIGURES THE SLOPE & OFFSET OF THE MOISTURE SENSOR. IT IS RECOMMENDED WHEN THE SENSOR ISN'T RESPONDING TO A SIMPLE CALIBRATION.

CALCULATE

ACTUAL MOISTURE

19.90 %

19.10 %

17.70 %

17.20 %

16.60 %

15.20 %

CALIBRATE

HOME MAIN MENU SAFETY STATUS TARGET DISCH. RATE ALARMS TRENDS

The Sensor Calibration Screen is used to calibrate the discharge moisture sensor to an offline moisture tester. Calibration settings for the discharge sensor are set from factory, however changes in types of grains, test weight or grain quality may require the user to do a field calibration.

OPERATION MANUAL

When taking a hand sample from the sample hole of the Discharge Sensor By-Pass Chute press the YELLOW sample button located near the point of discharge. This captures the value the sensor is reading as close as possible to the same time the hand sample is drawn. When the hand sample is tested with an offline moisture tester, return to the console and input the value of the tested sample in the ACTUAL MOISTURE field highlighted by the green box. After 6 consecutive samples over a period of time, the CALIBRATE button will appear and the operator will have two options to calibrate.

If the error in moisture reading from the console and an offline moisture tester is consistent across a range of moisture then doing a SIMPLE CALIBRATION may be all that is required.

If the error in moisture reading from the console and an offline moisture tester seem to have no correlation then an ADVANCED CALIBRATION is recommended.

Either calibration will show the new calculated slope and offset for the moisture equation when selected. However an additional R^2 factor is shown for the advanced calculation. This value is based on a scale of 0-1.00 and represents how well the moisture samples that were taken fit the curve it calculates. R^2 values that are $< .50$ are considered to be unsuccessful calibrations and the values shouldn't be accepted. Values $> .50$ are considered to be successful calibrations and those values can be used. The closer the R^2 values are to 1.00, the better the calibration will be.

All moisture calibration tests should be bracketed around the range of desired discharge moisture. In other words if the operator were drying corn and wanted an average moisture discharge of 15% an acceptable moisture calibration test bracket would be 13-14% on the low end and 16-17% on the high end. The operator may have to slow or speed up the dryer for a short time to achieve these moisture readings to reach the discharge sensor.

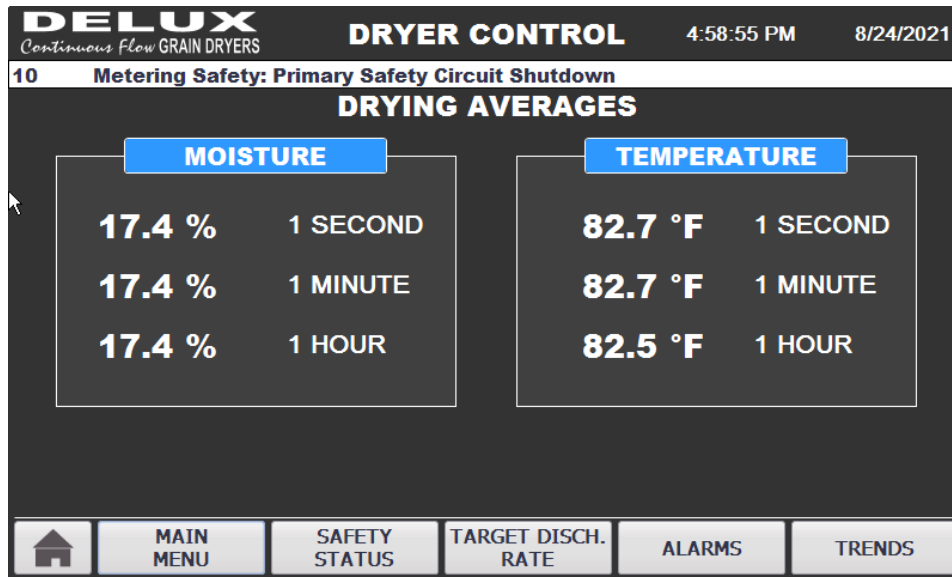


When taking a hand sample, take enough grain so that a minimum of three samples can be tested and averaged. The same hand sample of grain could have a difference of 1.0% of moisture between readings taken. Therefore it is important that each of the six samples taken are an average of 3 individual tests of the same sample.

OPERATION MANUAL

Drying Averages

MAIN MENU → DRYING AVERAGES

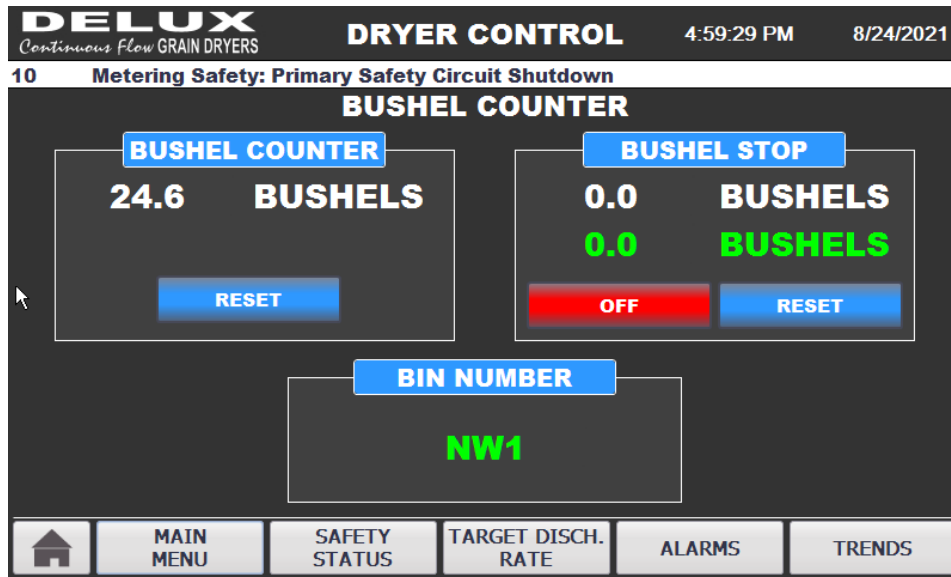


The Drying Averages Screen shows the operator the current minute, hour and day (24HR) averages for both outgoing moisture content and grain temperature.

OPERATION MANUAL

Bushel Counter

MAIN MENU → BUSHEL COUNTER



The Bushel Counter Screen shows the operator the total dry bushel count that has passed through the dryer for a given period of time. The bushel counter function counts the revolutions of the feedrolls and uses a formula to totalize the number of bushels. Press the RESET key to reset the total bushel count.

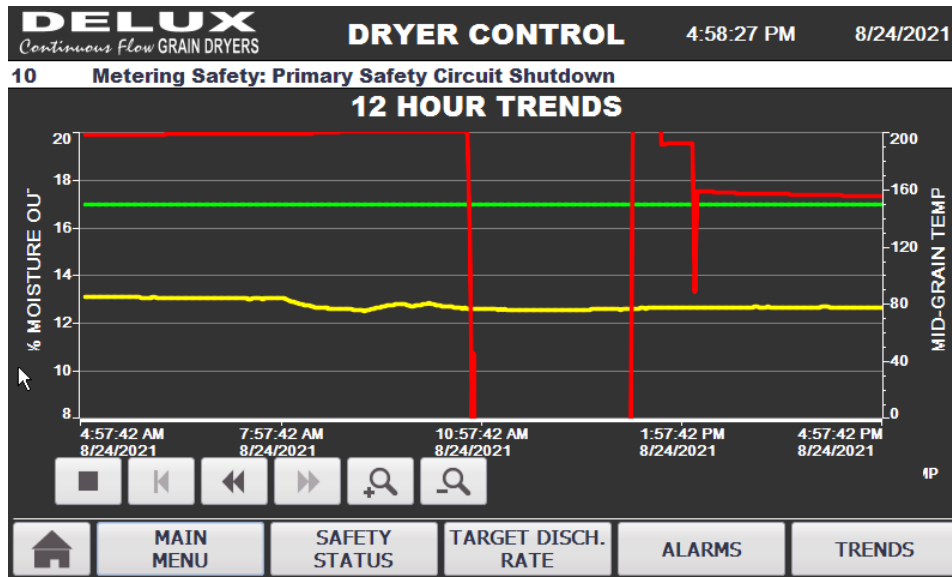
The BUSHEL STOP, if active, will stop the dryer on a predetermined total bushel set point. This is helpful if there is a limited amount of storage left in a storage bin, and the operator will be away from the dryer for an extended amount of time. Enter a value in the green boxed value of the BUSHEL STOP and turn the feature ON by toggling it.

The BIN NUMBER field can be used to enter the number or name of the storage bin the grain being discharged is being fed in to. This information is also logged into the drying data folder for download later use.

OPERATION MANUAL

Trends

MAIN MENU → TRENDS

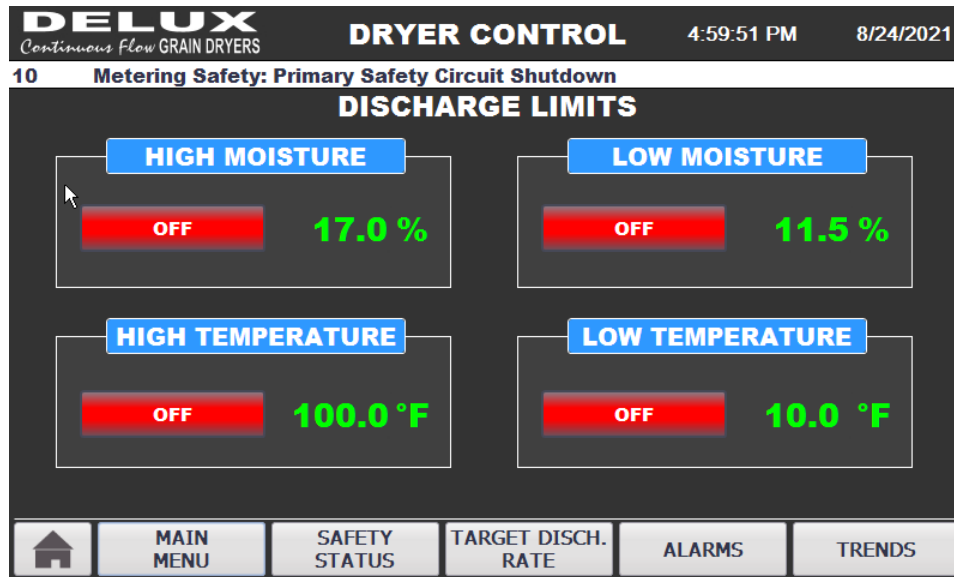


The Trends Screen illustrates the discharge moisture over the last 10 hour period in the current window. The operator can also choose to review historical moisture content by using the left or right arrow keys to pan or open a specific time frame.

OPERATION MANUAL

Limits

MAIN MENU → LIMITS

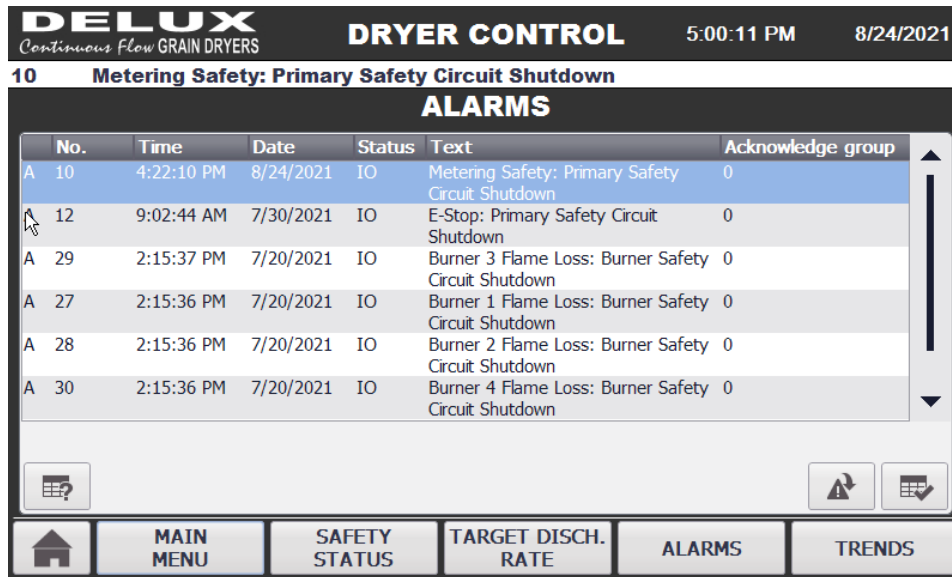


The Limit Configuration Screen allows an operator to set certain limitations for grain exiting the dryer. When activated, the configured alarms will shut the dryer down if conditions exist outside of the predetermined limits. For example, suppose the operator wants to make sure that no grain makes it through the dryer more than 17.0% moisture or less than 11.5% moisture as shown in the illustration above. When the respective alarm is toggled ON, the dryer would shut down if conditions existed outside of this range. Before being toggled ON, the variable being monitored must already be inside of the limit range.

OPERATION MANUAL

Alarms

MAIN MENU → ALARMS



The Alarm Screen gives important feedback as to the overall operation of the dryer. Should the dryer shutdown for any reason, the alarm screen would be the first place to look. A table of alarms can be found below.

ALARM TEXT	DESCRIPTION	REMEDY
Air Sensor 1: Burner Safety Circuit Shutdown	Fan 1 sail switch has opened during operation and shut the dryer down	Check sail switch for defects or corrosion
Air Sensor 2: Burner Safety Circuit Shutdown	Fan 2 sail switch has opened during operation and shut the dryer down	Check sail switch for defects or corrosion
Air Sensor 3: Burner Safety Circuit Shutdown	Fan 3 sail switch has opened during operation and shut the dryer down	Check sail switch for defects or corrosion
Air Sensor 4: Burner safety Circuit Shutdown	Fan 4 sail switch has opened during operation and shut the dryer down	Check sail switch for defects or corrosion
Aux. Safety: Primary Safety Circuit Shutdown	Customer installed interlock has shut the dryer down	Investigate why the interlock is open

OPERATION MANUAL

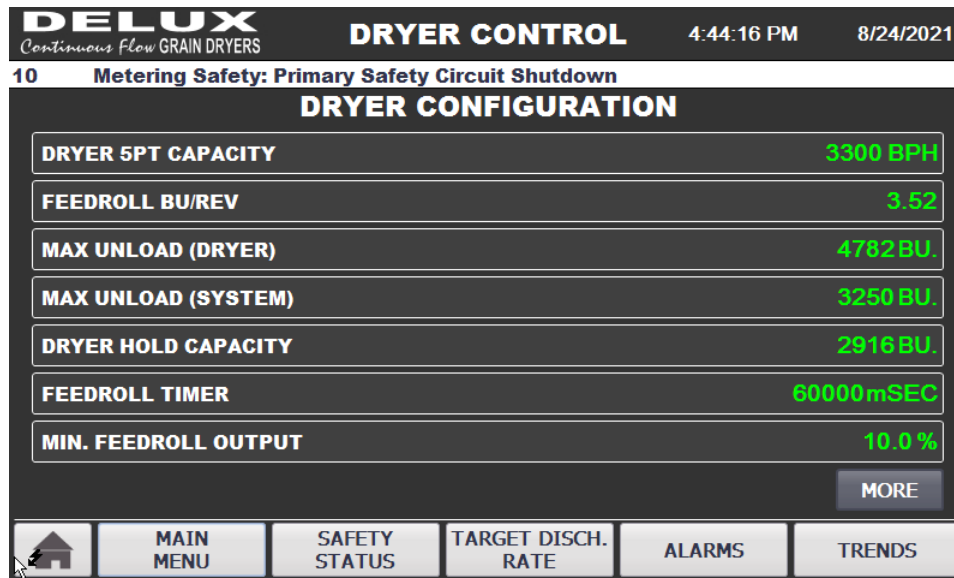
ALARM TEXT	DESCRIPTION	REMEDY
Burner 1 Flame Loss: Burner Safety Circuit Shutdown	Flame on burner 1 was lost and shut the dryer down	Investigate the cause of the flame loss
Burner 2 Flame Loss: Burner Safety Circuit Shutdown	Flame on burner 2 was lost and shut the dryer down	Investigate the cause of the flame loss
Burner 3 Flame Loss: Burner Safety Circuit Shutdown	Flame on burner 3 was lost and shut the dryer down	Investigate the cause of the flame loss
Burner 4 Flame Loss: Burner Safety Circuit Shutdown	Flame on burner 4 was lost and shut the dryer down	Investigate the cause of the flame loss
Bushel Stop: Primary Safety Circuit Shutdown	Active when the dryer has dried a pre- determined amount grain and then shuts down	None, for informational purposes only
Discharge Limits: Primary Safety Circuit Shutdown	Discharge moisture or temperature has reached the high/low limit threshold	Adjust the limit setpoints or turn discharge limits off
Door Switch(es): Primary Safety Circuit Shutdown	Plenum or cooling access doors are open or have been open during operation	Close door or investigate cause of door opening
Dryer Configuration Error	Dryer is not properly configured	Consult service dealer or factory
E-Stop: Primary Safety Circuit Shutdown	Dryer emergency stop has been activated and shut the dryer down	Determine how emergency stop switch was activated
Exhaust Limits: Primary Safety Circuit Shutdown	Exhaust air temperature from dryer column has been exceed	Check for grain columns that might be plugged
Flame Control Alarm: Burner Safety Circuit Shutdown	Flame control alarm is active on one or more flame controls	Reset appropriate flame control
High Gas Pressure: Burner Safety Circuit Shutdown	Gas pressure is too high in the fuel manifold	Adjust gas pressure to fall within normal range or determine cause of high pressure
High Limit: Burner Safety Circuit Shutdown	Active when the dryer has shut down for plenum over temperature	Reset and investigate the cause of the over temperature
Low Gas Pressure: Burner Safety Circuit Shutdown	Gas pressure is too low in the fuel manifold	Adjust gas pressure to fall within normal range or determine cause of low pressure

OPERATION MANUAL

ALARM TEXT	DESCRIPTION	REMEDY
Low Grain - Fill End: Burner Safety Circuit Shutdown	Dryer has run low on grain where the dryer fills and shut down	Fill dryer and restart
Low Grain - Motor End: Burner Safety Circuit Shutdown	Dryer has run low on grain opposite the side the dryer fills and shut down	Fill dryer and restart
Metering Safety: Primary Safety Circuit Shutdown	Active when the feedroll monitor has shut the dryer down	Investigate the cause of the feedrolls to stop turning
Mid-Grain Temp High Limit: Burner Safety Circuit Shutdown	Mid-Grain temperature has reached high limit status	Cool the grain down in the column before starting the burners
S1 - Fan 1 Overload: Primary Safety Circuit Shutdown	Fan 1 (S1) has been overloaded or has a short circuit	Reset overload on motor starter and investigate cause of overload or short circuit
S2 - Fan 2 Overload: Primary Safety Circuit Shutdown	Fan 2 (S2) has been overloaded or has a short circuit	Reset overload on motor starter and investigate cause of overload or short circuit
S3 - Fan 3 Overload: Primary Safety Circuit Shutdown	Fan 3 (S3) has been overloaded or has a short circuit	Reset overload on motor starter and investigate cause of overload or short circuit
S4 - Fan 4 Overload: Primary Safety Circuit Shutdown	Fan 4 (S4) has been overloaded or has a short circuit	Reset overload on motor starter and investigate cause of overload or short circuit
S5 - Load Motor Overload: Primary Safety Circuit Shutdown	Load motor (S5) has been overloaded or has a short circuit	Reset overload on motor starter and investigate cause of overload or short circuit
S6 - Aux. Load Motor Overload: Primary Safety Circuit Shutdown	Aux. Load motor (S6) has been overloaded or has a short circuit	Reset overload on motor starter and investigate cause of overload or short circuit
S7 - Unload Motor Overload: Primary Safety Circuit Shutdown	Unload motor (S7) has been overloaded or has a short circuit	Reset overload on motor starter and investigate cause of overload or short circuit
S8 - Aux. Unload Motor Overload: Primary Safety Circuit Shutdown	Aux. Unload motor (S8) has been overloaded or has a short circuit	Reset overload on motor starter and investigate cause of overload or short circuit

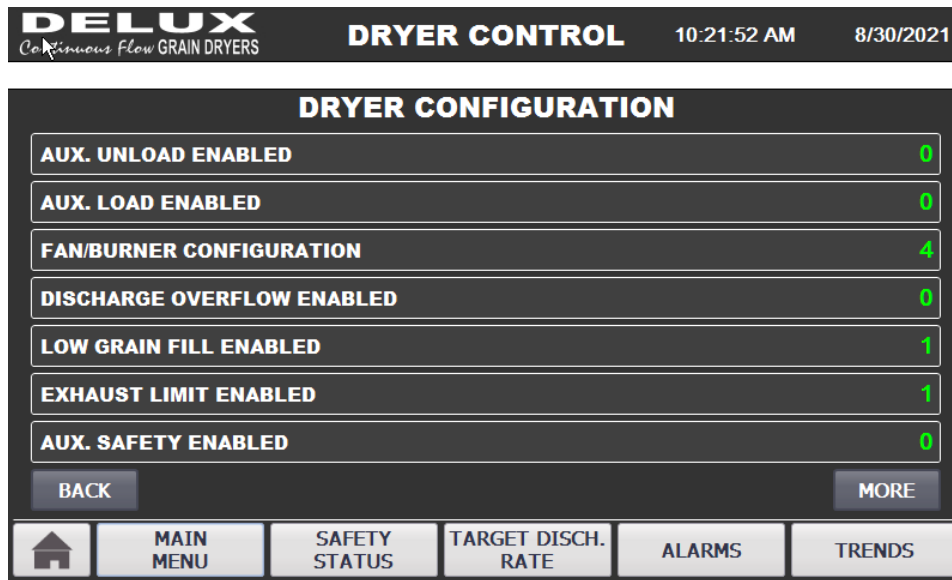
OPERATION MANUAL

MAIN MENU → DRYER CONFIGURATION



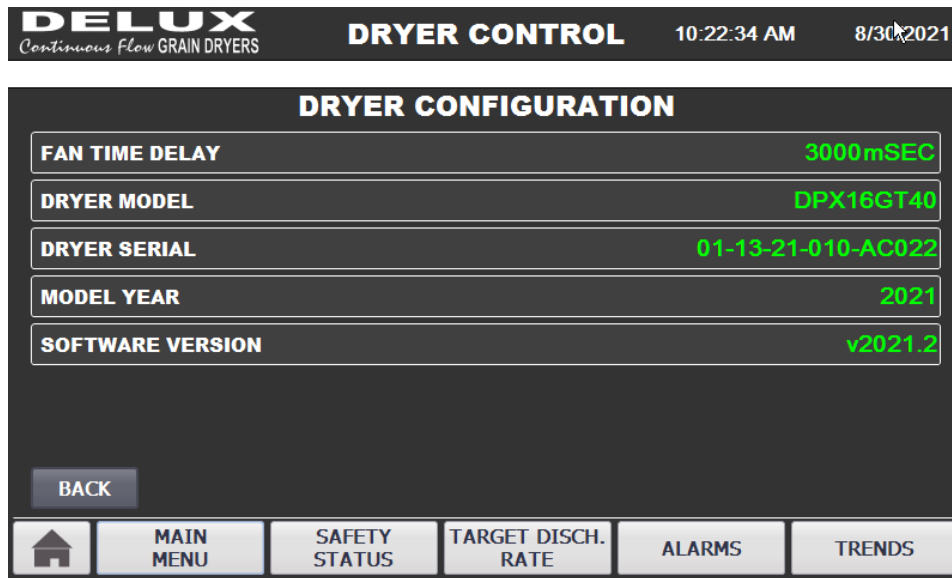
- 1) **DRYER 5PT CAPACITY:** The rated capacity of the grain dryer in wet bushels per hour. This variable is configured from the factory and shouldn't be changed unless instructed to do so.
- 2) **FEEDROLL BU/REV:** The amount of dry bushels metered through the dryer during one revolution of the metering roll. This is a nominal value set from the factory.
- 3) **MAX. UNLOAD (DRYER):** The maximum unload in dry bushels per hour that the dryer will discharge. This variable is set from factory and shouldn't be changed.
- 4) **MAX. UNLOAD (SYSTEM):** The maximum unload in dry bushels per hour that the handling system can move. This variable can be adjusted to compensate for the maximum flow capacities of any handling equipment the dryer is discharging in to. For example: The dryer is unloading into an air system and the maximum dry bushels the air system is rated for is 1500 BPH. The dryer however can discharge at a rate of 2000 BPH. The operator would want to set this variable to 1400 BPH, to stay well below the capacity of the air system. Therefore avoiding any potential problems with overloading the air system.
**** The Maximum Unload of the System must always be equal to or less than the Maximum Unload of the Dryer. ****
- 5) **DRYER HOLD CAPACITY:** The number of bushels that the dryer can hold.
- 6) **FEEDROLL TIMER:** The amount of time needed for the dryer to shut down in the event that the feedrolls stop turning.
- 7) **MIN. FEEDROLL OUTPUT:** The minimum amount of discharge power output to engage the feedroll monitor safety.

OPERATION MANUAL



- 8) **(PASSWORD PROTECTED) AUX. UNLOAD ENABLED:** Values: 0 – Disabled / 1 – Enabled | The dryer will operate the auxiliary unload start if it is present in the Electrical Service Center.
- 9) **(PASSWORD PROTECTED) AUX. LOAD ENABLED:** Values: 0 – Disabled / 1 – Enabled | The dryer will operate the auxiliary load start if it is present in the Electrical Service Center.
- 10) **(PASSWORD PROTECTED) FAN/BURNER CONFIGURATION:** Values: 1 – 4 | Number of fans/burners present in the dryer.
- 11) **(PASSWORD PROTECTED) DISCHARGE OVERFLOW ENABLED:** Values: 0 – Disabled / 1 – Enabled | Discharge overflow switch prevents grain buildup at the point of discharge. This is standard on auger discharge.
- 12) **(PASSWORD PROTECTED) LOW GRAIN FILL ENABLED:** Values: 0 – Disabled / 1 – Enabled | Low grain switch at the fill end of the dryer. Only dryers that are 40 feet in length require this additional switch.
- 13) **(PASSWORD PROTECTED) EXHAUST LIMIT ENABLED:** Values: 0 – Disabled / 1 – Enabled | Exhaust limits monitor the temperature of the air passing through the grain column. These are standard on models with grain turners and can be added as an option to other models.
- 14) **(PASSWORD PROTECTED) AUX. SAFETY ENABLED:** Values: 0 – Disabled / 1 – Enabled | This is a customer supplied interlock that can be used to shut the dryer down.

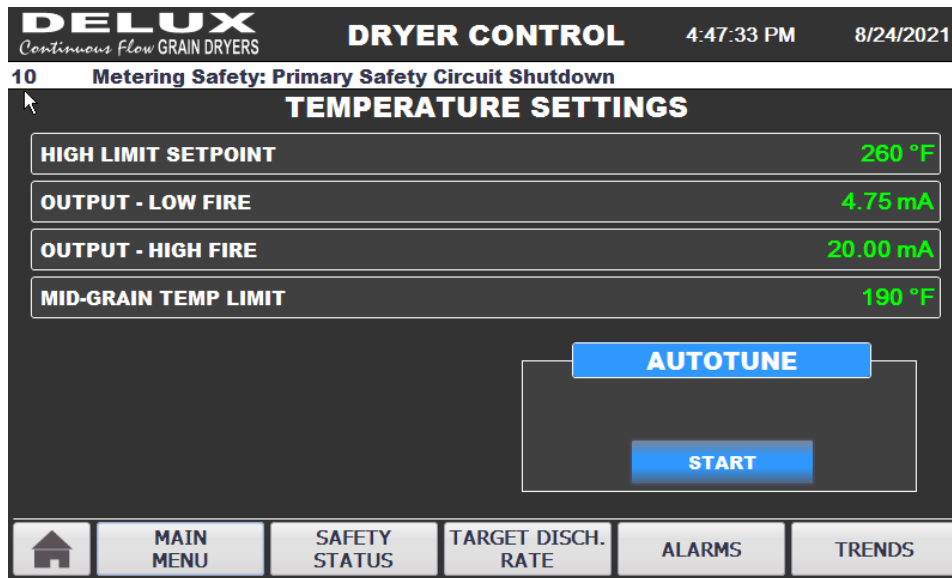
OPERATION MANUAL



15) **(PASSWORD PROTECTED) FAN TIME DELAY:** Time delay in milliseconds between each fan starting.

OPERATION MANUAL

MAIN MENU → TEMPERATURE SETTINGS



- 1) **HIGH LIMIT SET POINT:** The temperature value at which the dryer will shut down due to being over temperature. This value should normally be set no more than 30 degrees above your current drying temperature.
- 2) **OUTPUT – LOW FIRE:** This is the minimum output signal value to the temperature modulating motor. This value represents the minimum flame bypass setting for fuel flowing to the dryer or the minimum amount the temperature modulating motor will open relative to the output signal scale.
- 3) **OUTPUT – HIGH FIRE:** This is the maximum output signal value to the temperature modulating motor. This value represents the maximum amount the temperature modulating motor will open relative to the signal scale.

Autotune

Changes in fuel supply such as pressure or ambient temperature can cause the dryer to hunt for the plenum temperature set point. If the fluctuations are more than +/- 10 degrees the dryer should be auto tuned so that the temperature control system can gather the correct settings. Press the ACTIVATE button and wait for the process to complete. Depending on the system, it could take up to 5 minutes for the autotune to complete.

High Limit Status

OPERATION MANUAL



The Temperature Configuration Screen shows the status of the High Limit safety. If the High Limit safety has been triggered, reset, and investigate the cause of the over temperature before continuing use of the dryer.

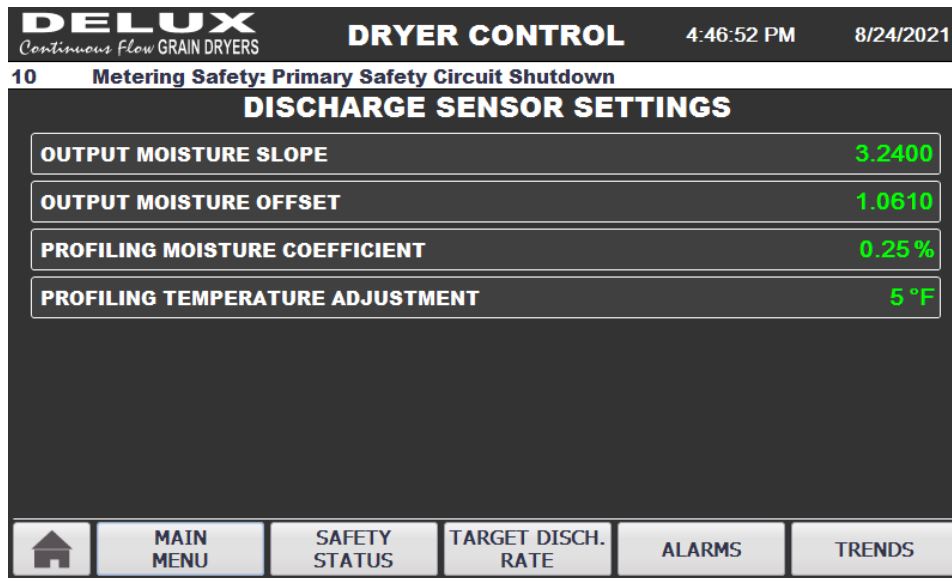
The screenshot displays the 'DELUX DRYER CONTROL' interface. At the top, it shows 'Continuous flow GRAIN DRYERS', the time '10:12:51 AM', and the date '8/30/2021'. A status bar indicates '16 High Limit: Burner Safety Circuit Shutdown'. The main section is titled 'TEMPERATURE SETTINGS' and contains the following data:

HIGH LIMIT SETPOINT	260 °F
OUTPUT - LOW FIRE	4.75 mA
OUTPUT - HIGH FIRE	20.00 mA
MID-GRAIN TEMP LIMIT	190 °F

Below the settings, there are two control panels. The left panel, titled 'HIGH LIMIT', shows a warning icon and the text 'HIGH LIMIT ACTIVE', with a 'RESET' button below it. The right panel, titled 'AUTOTUNE', has a 'START' button below it. At the bottom, a navigation bar includes buttons for 'HOME', 'MAIN MENU', 'SAFETY STATUS', 'TARGET DISCH. RATE', 'ALARMS', and 'TRENDS'.

OPERATION MANUAL

MAIN MENU → DRYER SETTINGS



- 1) OUTPUT MOISTURE SLOPE:** The slope of the equation used for converting raw sensor data into a readable grain discharge moisture. *(THIS VALUE SHOULD NOT BE CHANGED)*
- 2) OUTPUT MOISTURE OFFSET:** The offset of the equation used for converting raw sensor data into a readable grain discharge moisture. *(THIS VALUE WILL CHANGE WHEN SENSOR A SENSOR CALIBRATION IS PERFORMED)*
- 3) PROFILING MOISTURE COEFFICIENT:** The sensitivity of the moisture control system in AUTO mode. Set from factory at 0.25%, the moisture control will not update the mid-grain setpoint unless the actual average discharge moisture varies +/- 0.25% from the target discharge moisture. *(THIS VALUE SHOULD BE SET AT A MINIMUM OF 0.25%)*
- 4) PROFILING TEMPERATURE ADJUSTMENT:** This is the temperature adjustment the system will make to the mid-grain setpoint if the actual average discharge moisture is outside of the Profiling Moisture Coefficient boundaries. For conditions where the grain seems harder to dry, the temperature can be increased. In contrast, a higher temperature coefficient could result in the controller making too large of an adjustment and sending actual outgoing moisture content into an oscillation. *(THIS VALUE SHOULD BE SET AT A MINIMUM OF 2.50 °F)*

OPERATION MANUAL

MAIN MENU → ENGINEERING FUNCTIONS (PASSWORD PROTECTED)

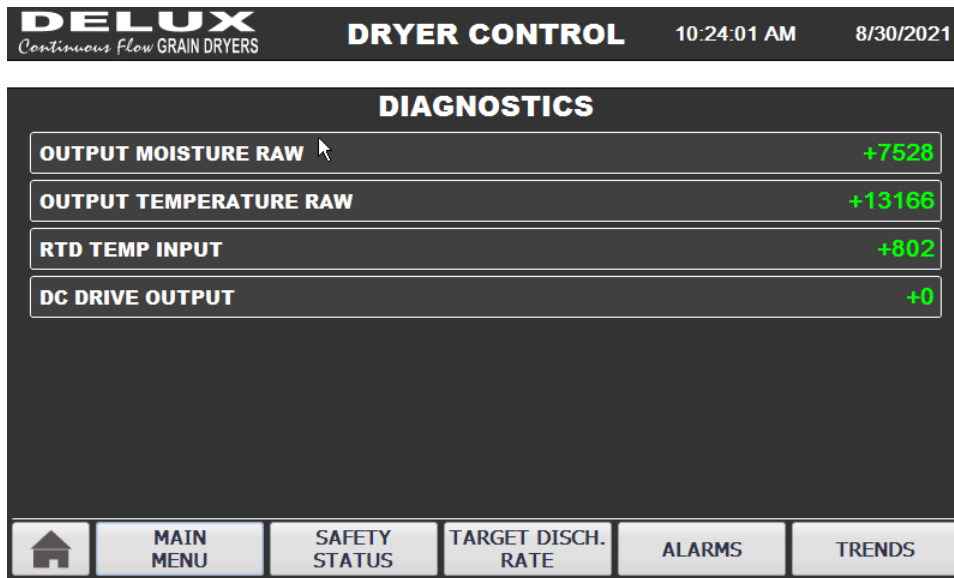
ENGINEERING FUNCTIONS			
PID GAIN	+1.000	ANALOG OUT	+16911
TI	+3000.000	INPUT UPPER	+220.000
TD	+0.000	INPUT LOWER	+0.000
TDFILTRATIO	+0.000	OUT UPPER	+90.000
CYCLE	+0.500	OUT LOWER	+0.000
PWEIGHTING	+0.000		
DWEIGHTING	+1.000		

Navigation Bar: Home | MAIN MENU | SAFETY STATUS | TARGET DISCH. RATE | ALARMS | TRENDS

The Engineering Functions Screen should only be accessed if instructed by your dealer or the factory. It contains settings that do not affect the overall operation of the dryer.

OPERATION MANUAL

MAIN MENU → DIAGNOSTICS



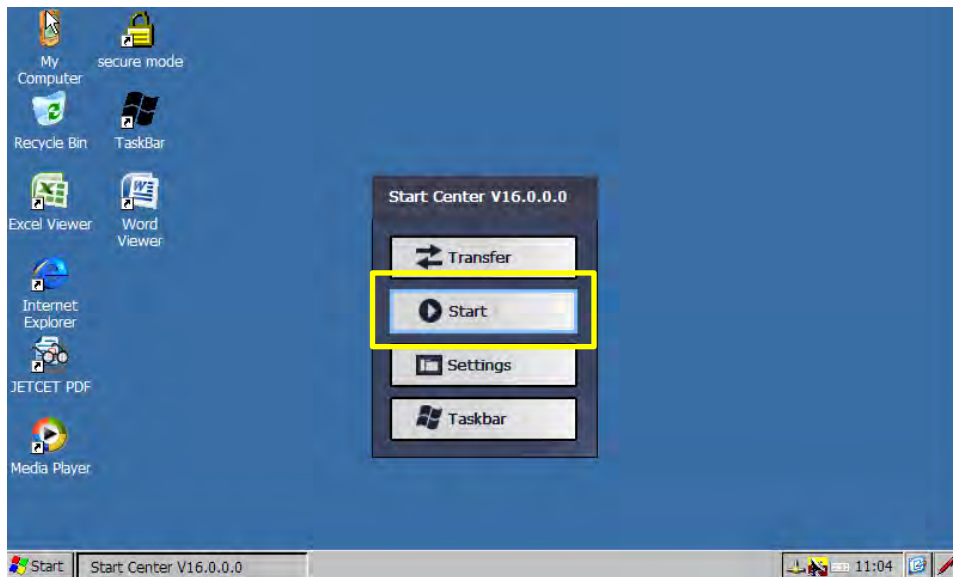
The Diagnostics Screen gives helpful information when troubleshooting with a dealer or from the factory. It contains no useful information on the general operation of the dryer.

OPERATION MANUAL

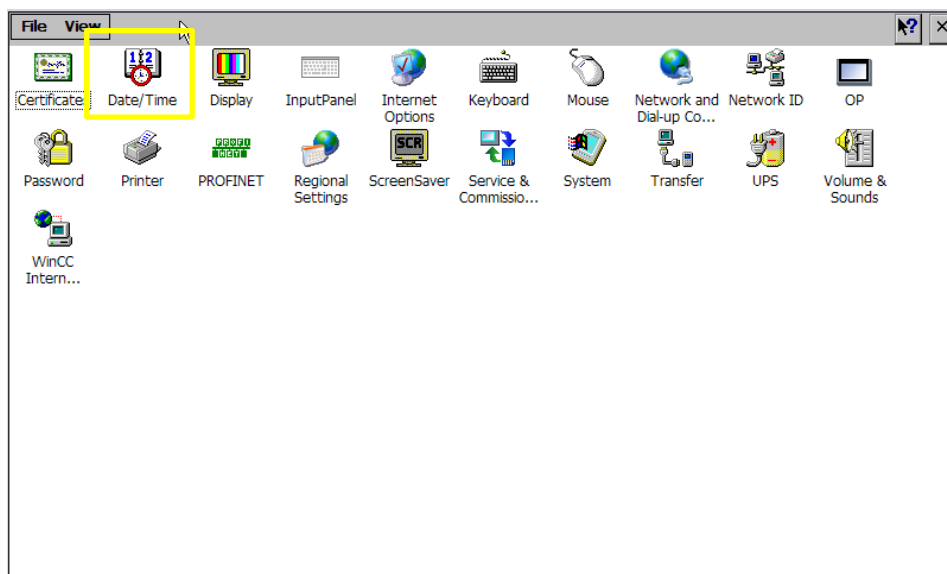
Date & Time

Due to the dryer being powered down most of the year, it is recommended that the real time clock be updated before each harvest.

When the dryer is powered on and before it reaches the HOME SCREEN, press the SETTINGS key.

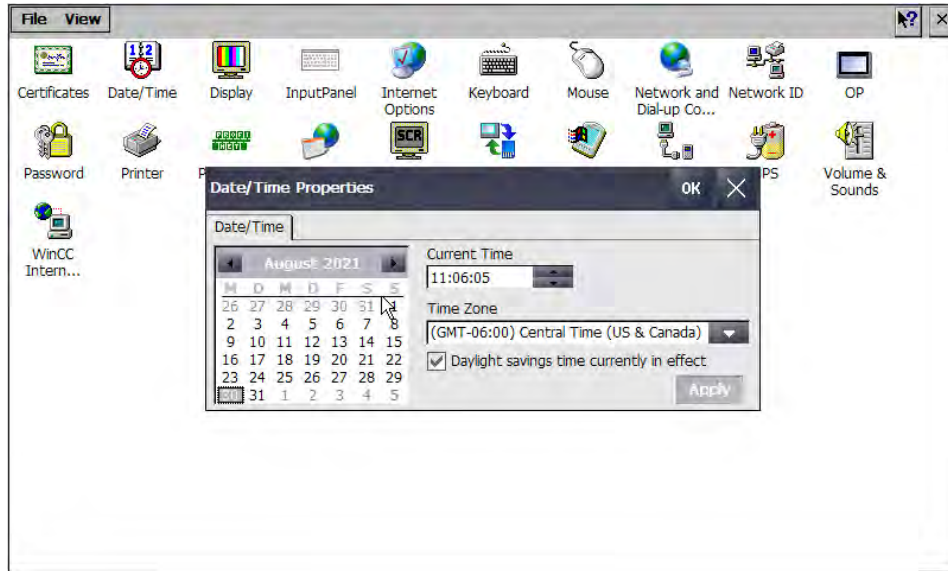


Select the DATE/TIME icon from the settings window.



OPERATION MANUAL

Update the date and time to the correct values.



OPERATION MANUAL

SUNFLOWER DRYING RECOMMENDATIONS FOR DELUX GRAIN DRYERS



The following information concerns the drying of sunflowers in Delux dryers. This material has been specially prepared to assist the operator in the **safe and effective** operation of the dryer for this purpose.

It is very important to completely read and understand these recommendations and precautions prior to attempting to dry sunflowers !!!

SUNFLOWER DRYING PRECAUTIONS

1. Refer to your service manual for suggested drying temperature settings.
2. **Clean sunflowers prior to drying.**
3. Harvest when seeds are below 20% moisture content. Moisture above 20% adversely affects the flow characteristics of the sunflower seeds.
4. **Never leave dryer unattended while drying sunflowers.**
5. All Delux dryers are equipped with meter roll unloading systems and should be checked for uniform grain movement by observing downward movement of sunflowers in the grain columns and by occasionally stopping the load operation to observe the level of the top surface of the grain. If movement is not uniform, open appropriate clean-out doors and inspect for possible obstructions or grain bridging. **All Delux dryers should also be completely unloaded daily for cleaning and inspection inside the grain columns.**
6. **Keep the dryer clean. Periodically inspect and clean inside plenum and cooling chambers, along with the area surrounding the dryer. Fine hairs and fibers common to sunflowers can be drawn into the fan-heater unit(s), increasing the risk of fire.**
7. **Be prepared in case of fire.** Have a hose and/or fire extinguisher near the dryer. Small fires (sometimes called flares) can be extinguished by shutting off the airflow and applying water to the overheated area. More excessive fires may require complete unloading of the dryer onto the ground. **Do not unload into a storage bin.**
8. Check the dryer for a buildup of waxy material that may accumulate on auger flighting and other surfaces when handling sunflowers (especially with higher moisture sunflowers). If buildup is excessive, it should be removed.
9. Do not over dry. **Sunflowers dry easily and over drying can increase the risk of fire.** Safe storage moisture content is 9% for sunflower seeds.

OPERATION MANUAL

GENERAL OPERATOR MAINTENANCE

The design and manufacture of this dryer is directed toward operator safety.

Use extreme caution in working around high speed fans, gas fired burners, discharge augers, and auxiliary augers, which may start without warning when the dryer is operating on automatic controls.

Continued safe, dependable operation of automatic equipment depends to a great degree upon the owner/operator. For a safe dependable drying system, follow the recommendations within the manual and make it a practice to regularly inspect the operation of the unit for any developing problems or unsafe conditions.

Keep a clean dryer



Do not allow fine material to accumulate on the plenum floor or a trash fire can result.

Checking the dryer at least every 24 hours and cleaning will help prevent problems. The dryer should not be left unattended for extended periods of time.

Safety first!

Use only approved ladders and walkways to gain access to the dryer.

Disconnect and lockout all energy sources to the dryer before repair or maintenance is performed.

Be sure all guards and shields are in place before operating the dryer.

Preparing dryer for operation

Check all safety controls for proper operation.

Check for worn or broken parts that need to be replaced.

Lubricate per instruction literature located in section 14.

Open air intakes doors.

Check belts for wear and tension.

OPERATION MANUAL

Check chain tension and sprocket alignment.

Run fans and discharge system to assure proper function.

Clean fuel strainer-drain fuel lines.

During season

Inspect plenum and cooling chambers daily. Clean out any accumulation of dirt, chaff, fines, etc.

Check feedrolls for proper grain flow.

Check chain and belt alignment daily.

Inspect exterior screens for plugging--clean for effective drying.

Post season service

Turn off all fuel and power to the dryer.

Clean out plenum and cooling chambers, grain columns and augers.

Clean exterior of dryer.

Leave auger slide gates open for drainage.

Clean fuel strainer-drain fuel lines.

Lubricate per instructions listed in later section.

Apply protective coating to chain and sprockets.

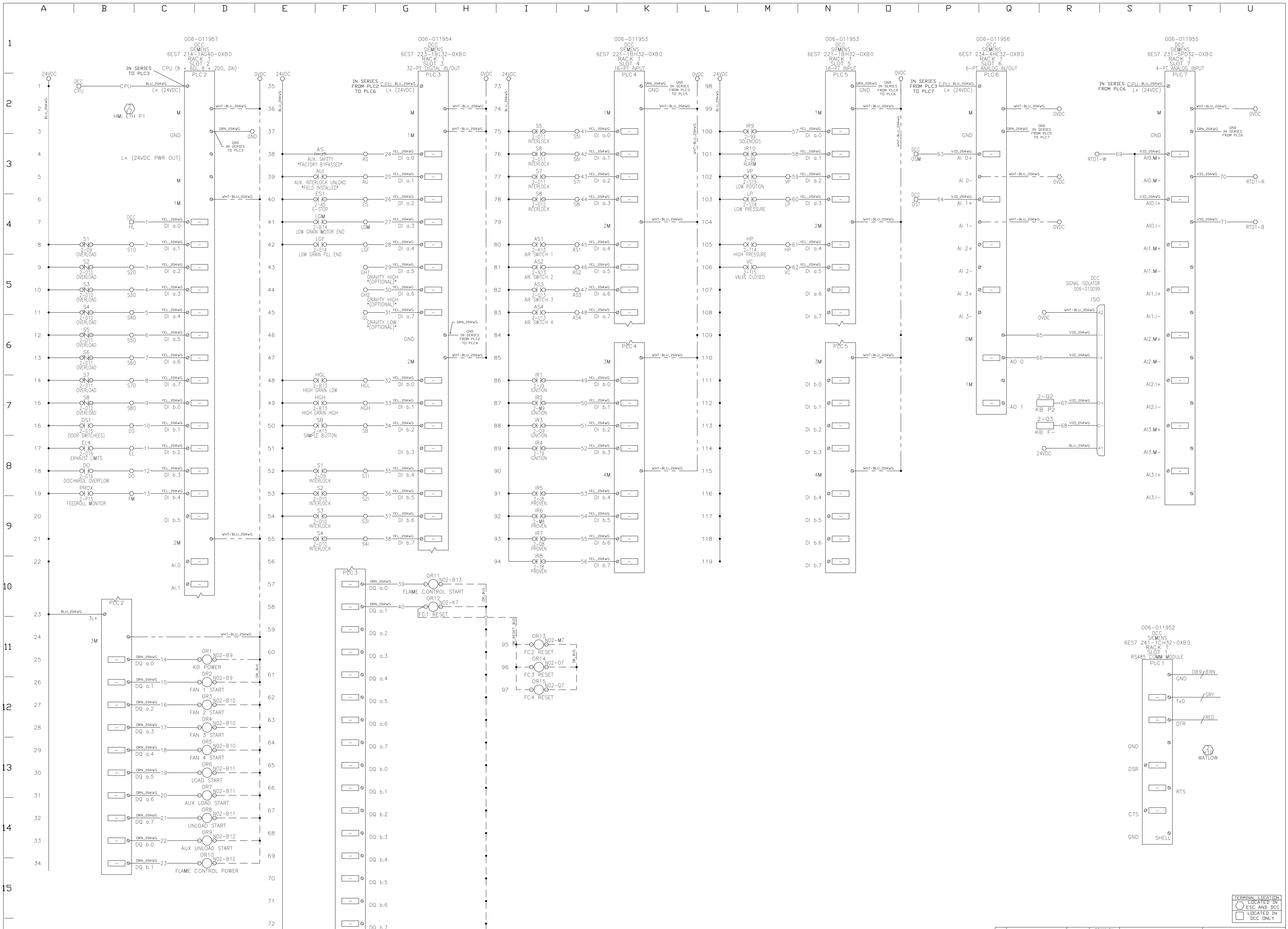
Inspect for worn/damaged parts that should be replaced.

Keep all access doors closed.

OPERATION MANUAL

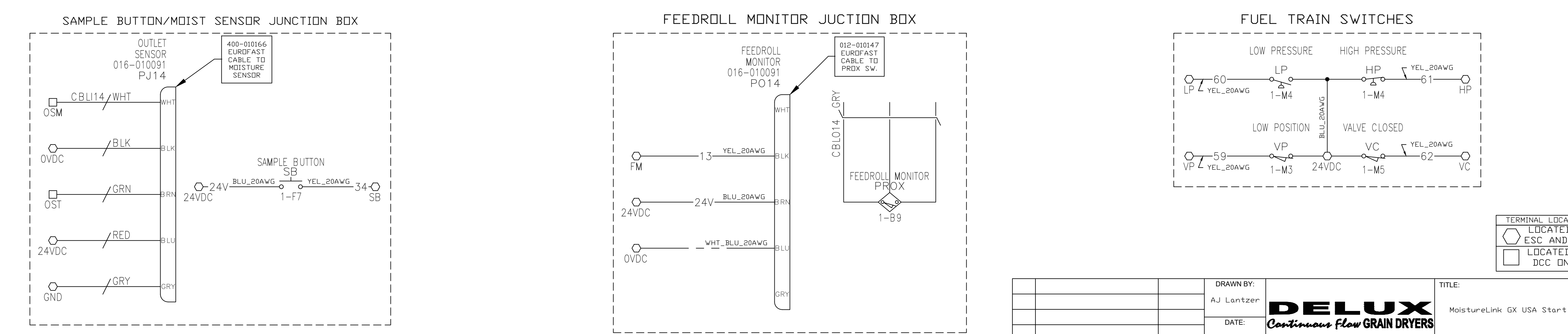
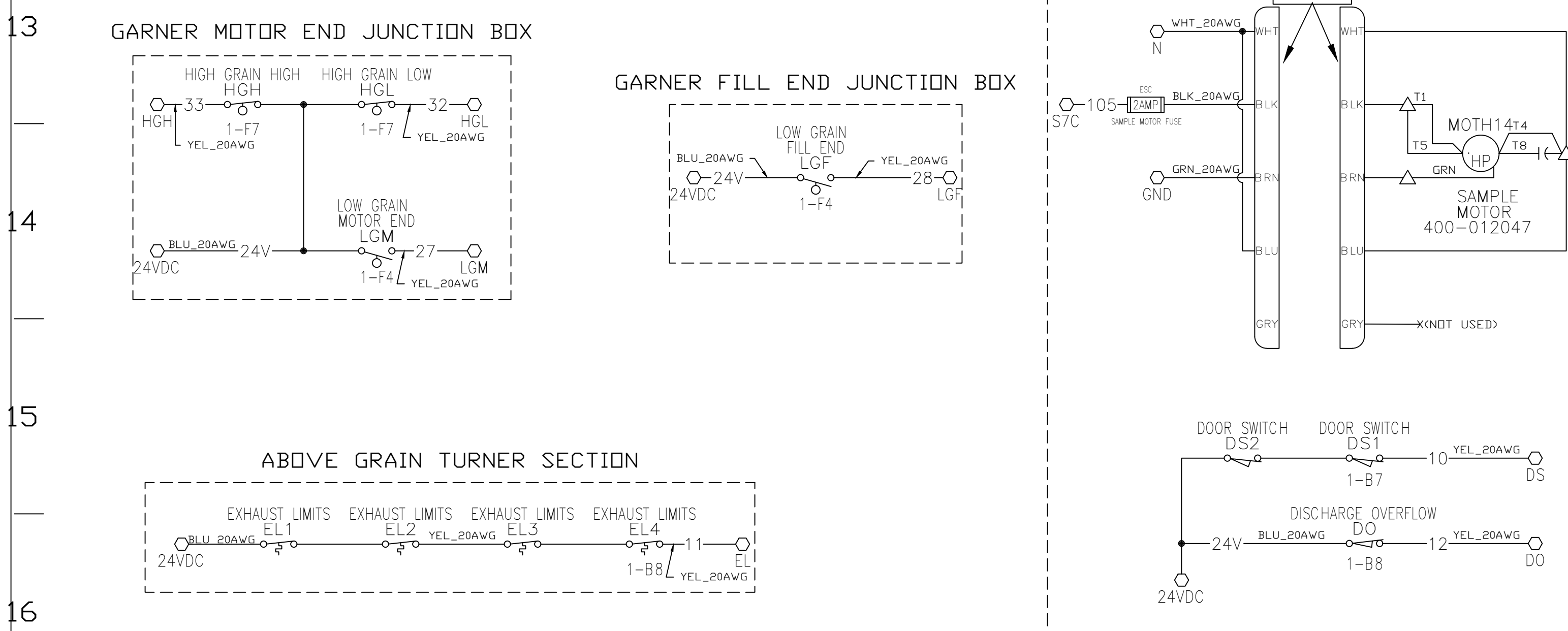
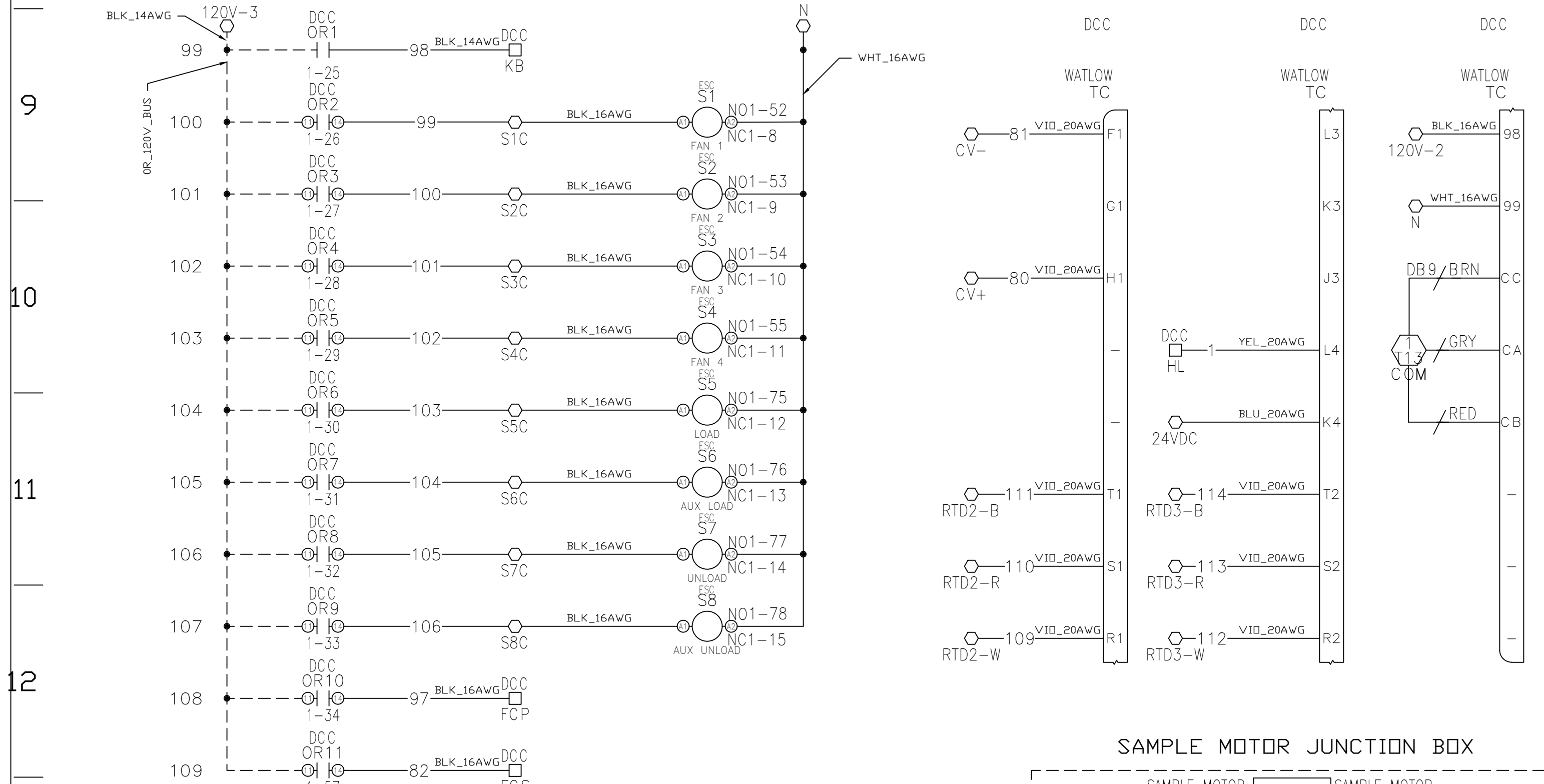
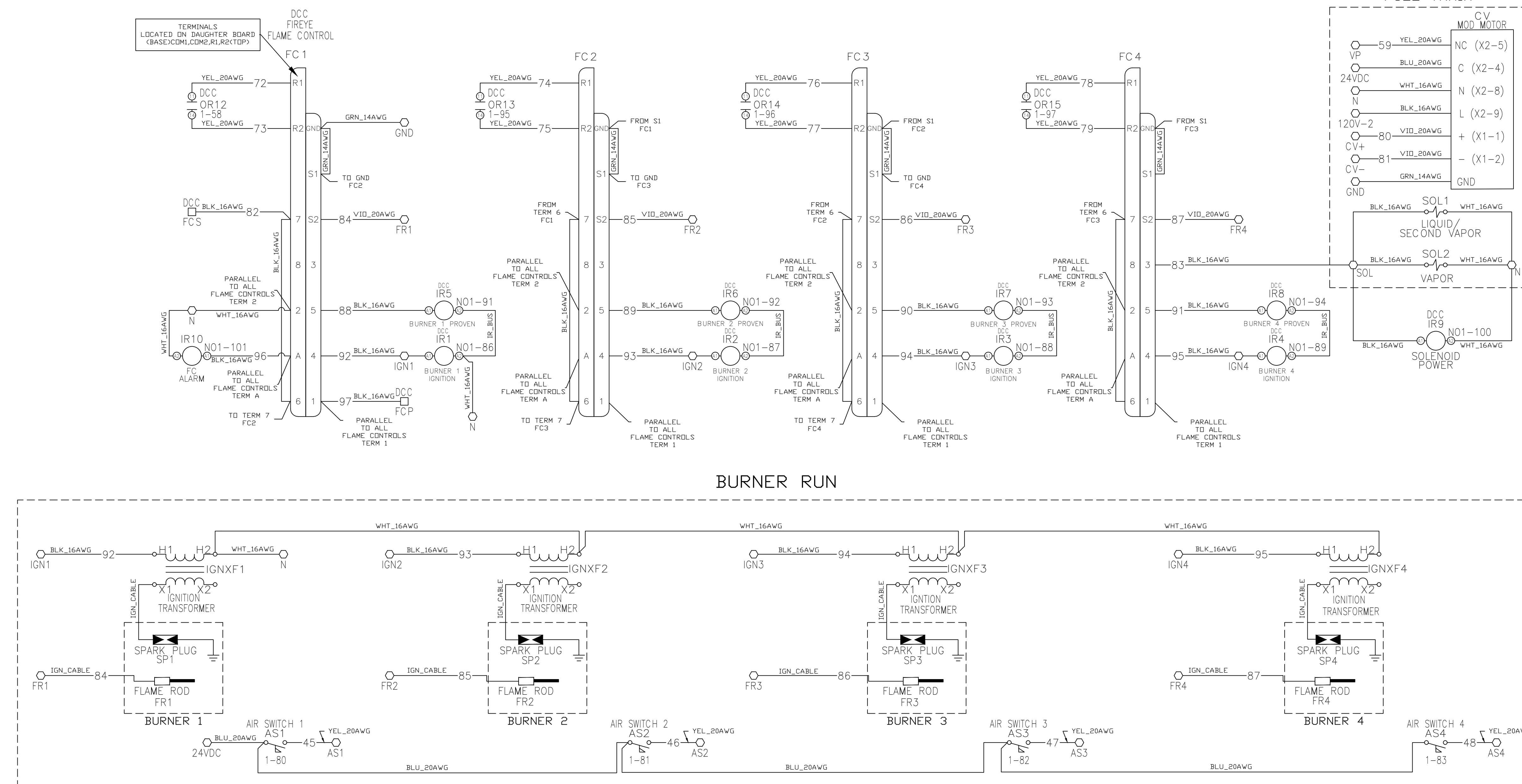
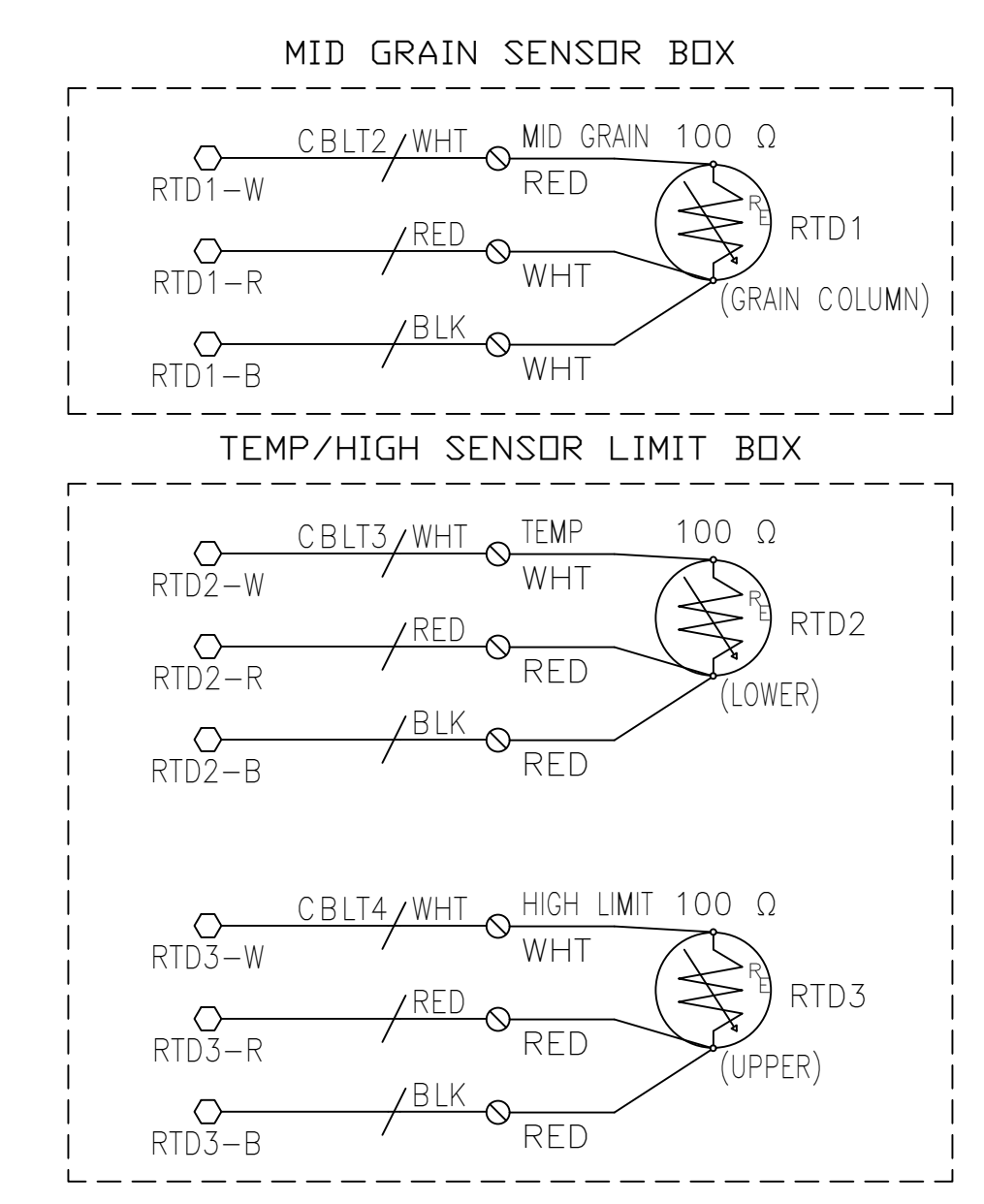
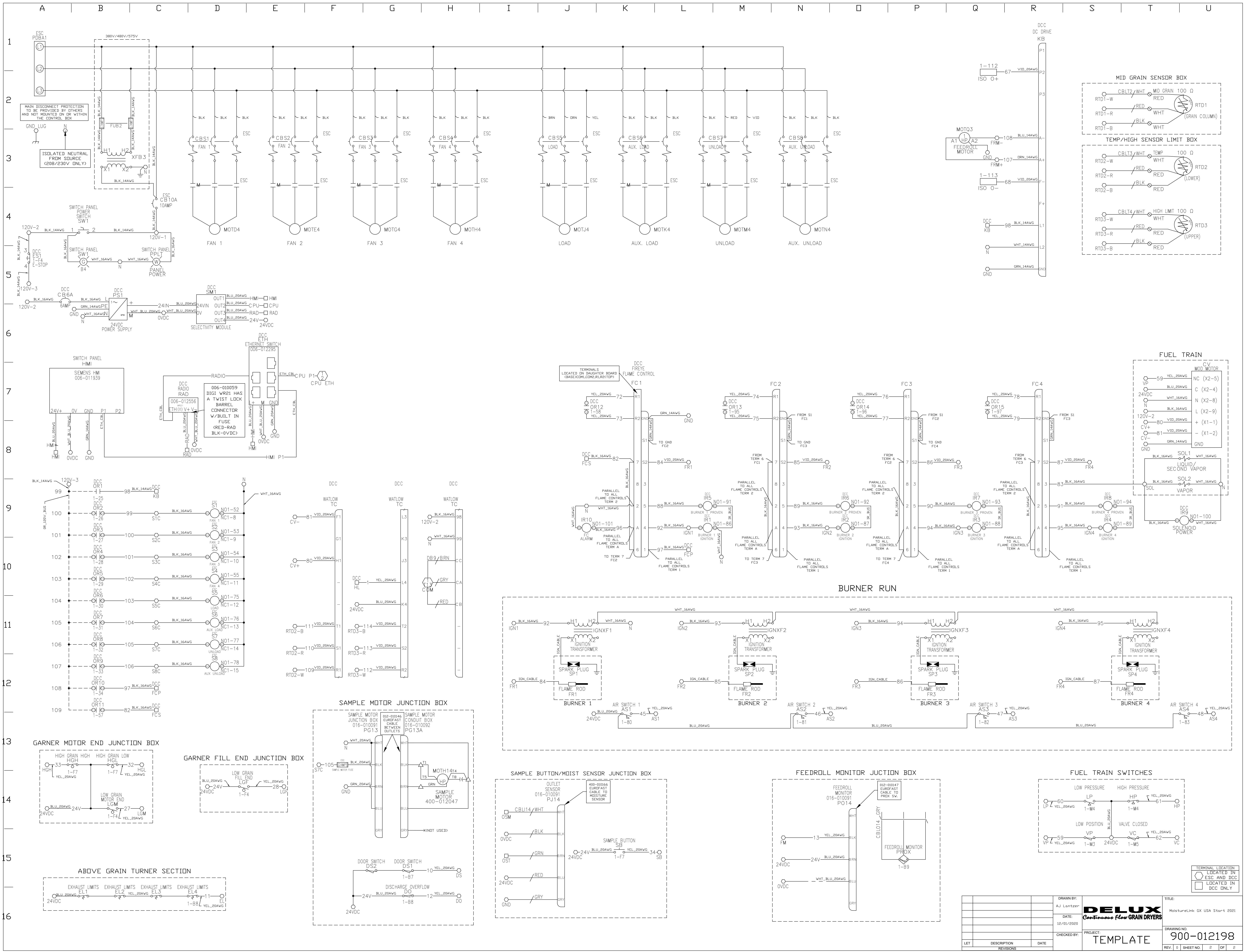
General lubrication

1. Gear drives
 - a. Lubrication levels to be checked on initial startup.
 - b. Lubricate per instruction plate on gear head.
2. Auger bearings
 - a. Bearings used are of the permanently lubricated type.
3. Auger hanger bearings
 - a. Bearings used are of the permanently lubricated type.
4. Roller chain
 - a. Spray with rust preventative lubricant at the end of each season.
5. Fan motor
 - a. Follow manufacturer's instructions.



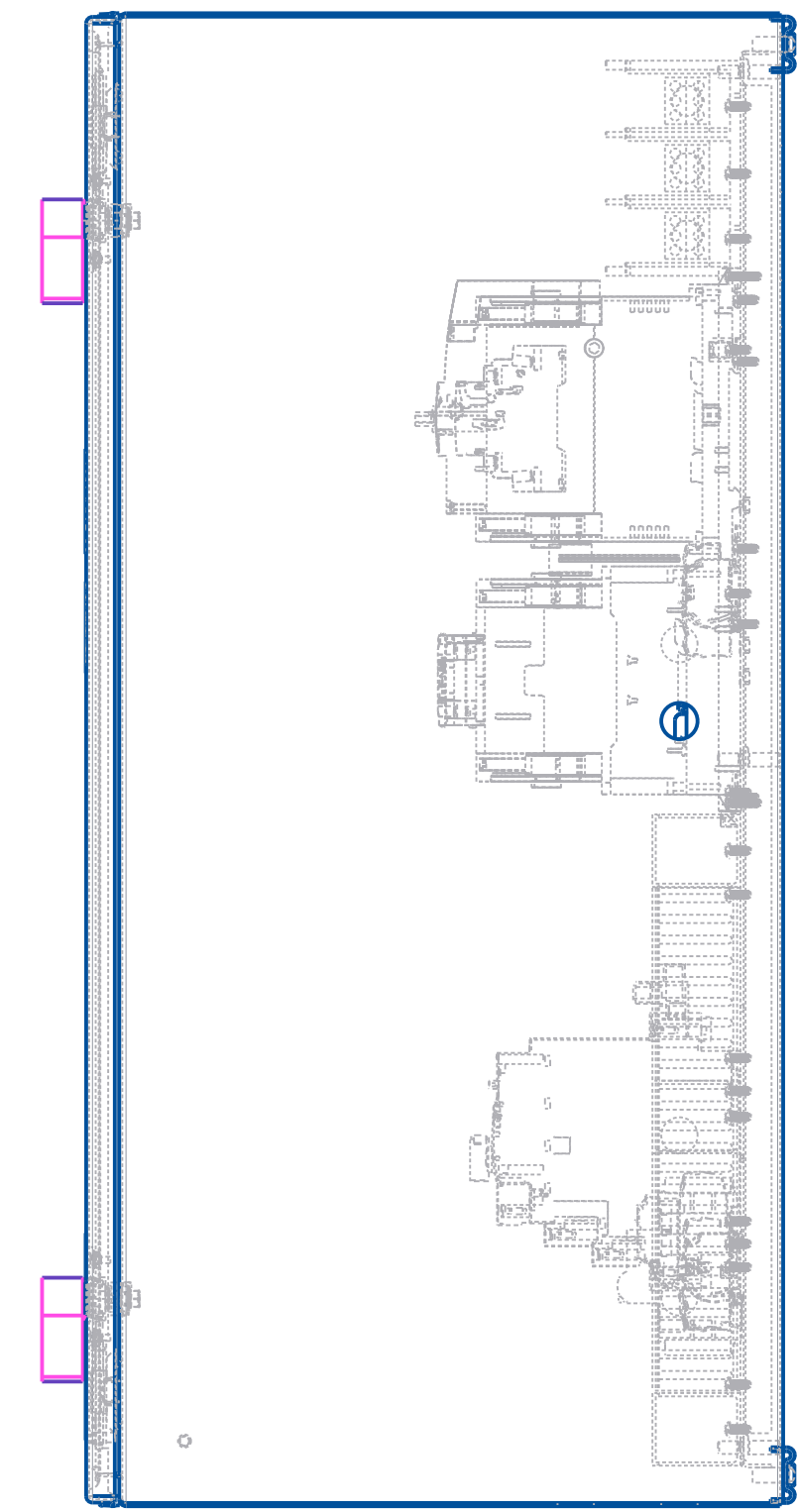
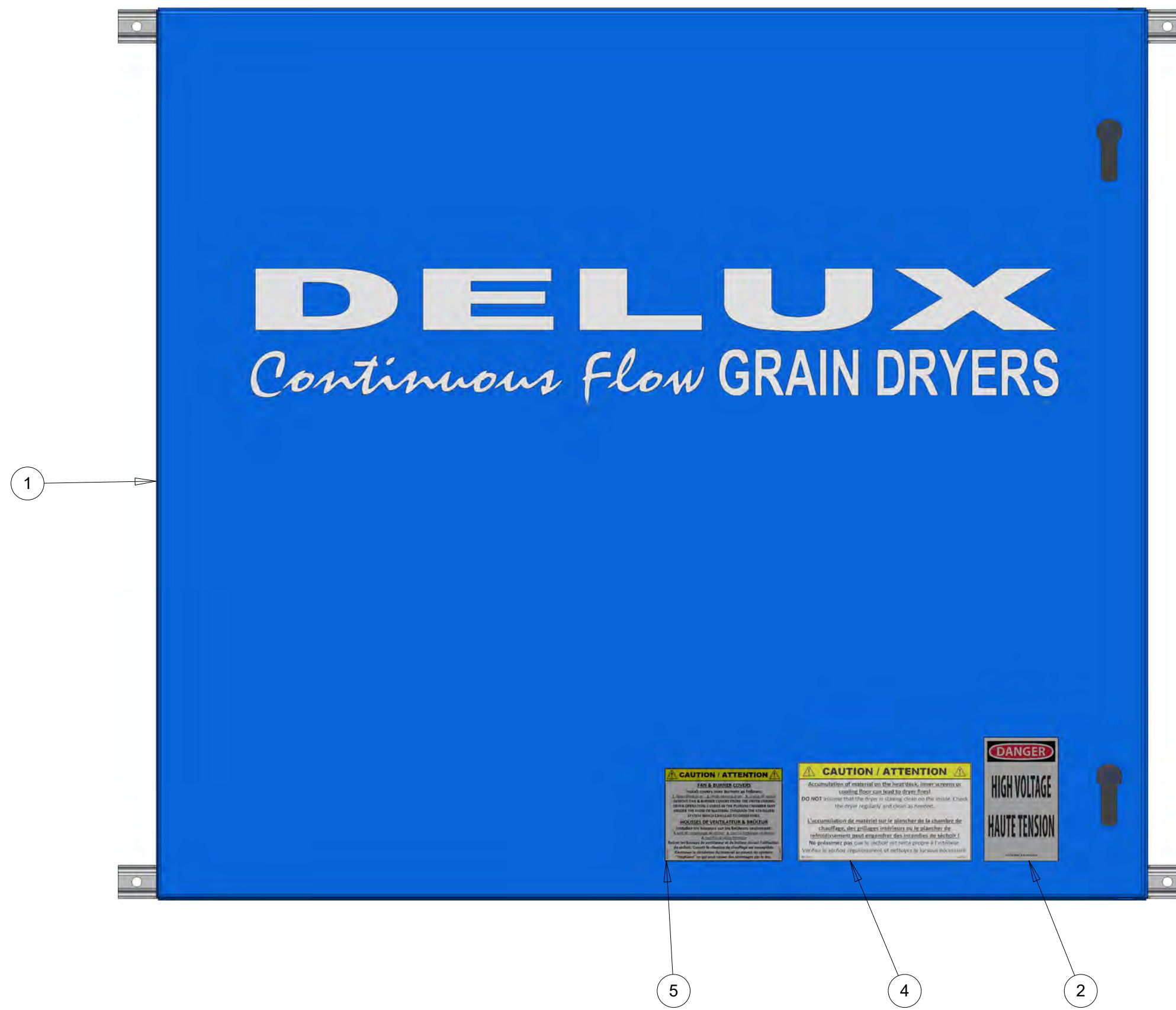
LET	DESCRIPTION	DATE	REVISIONS

DRAWN BY:	AJ Lentzer	TITLE:	MoistureLink GX USA Start 2021
DATE:	12/01/2020	PROJECT:	TEMPLATE
CHECKED BY:		DRAWING NO.:	900-012198
		REV. 0	SHEET NO. 1 OF 2



DRAWN BY: AJ Lentzer		DATE: 12/01/2020		PROJECT: TEMPLATE		DRAWING NO: 900-012198	
CHECKED BY:		DATE:		REVISIONS:		TITLE: MoistureLink GX USA Start 2021	
LET	DESCRIPTION	DATE	REVISIONS	REV	0	SHEET NO	2

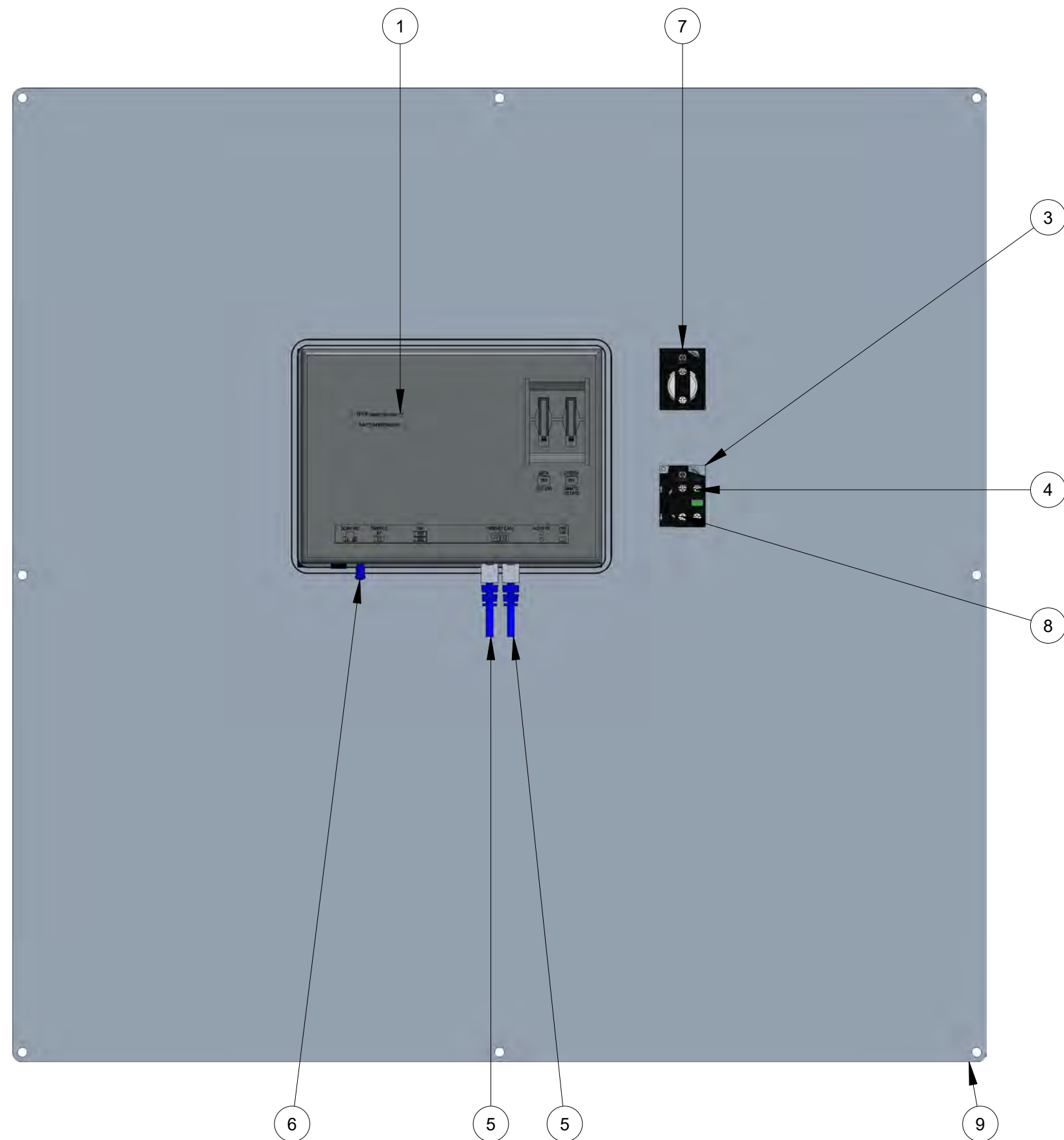
ITEM	PART NUMBER	QTY	DESCRIPTION
1	013-010911	1	ENCLOSURE-36" X 40" X 16"-HOFFMAN CSD364016
2	018-001070	1	DECAL- DANGER HIGH VOLTAGE
3	018-010726	1	LABEL-DELUX LOGO-PANEL BOX DOOR-LARGE (34")
4	018-010910	1	LABEL-"CAUTION - ACCUMULATION OF..HEAT DECK..
5	018-010918	1	LABEL - FAN & BURNER COVER - STAYKLEEN
6	506-012446	1	ASS'Y-INSERT PANEL-ESC-GX-DPSL20-230V-3P



MASS:		PART NO.:		508-012337
		DESCRIPTION:		ASS'Y-ELEC. SERV. CENTER-GX-DPSL20-230V-3P
		MODELED BY:		AJ LANTZER
		THICKNESS:		
		MATERIAL:		
		SCALE:	0.218	DELUX MFG. CO. KEARNEY, NE
		DATE:	Apr-15-16	
ECO#	LET	DESCRIPTION	DATE	

TOLERANCE: DECIMAL ±.010 FRACTION ±1/32 ANGLE ±1° UNLESS OTHERWISE SPECIFIED

ITEM	PART NUMBER	QTY	DESCRIPTION
1	006-011939	1	TOUCHSCREEN-7" HMI-SIE 6AV2124-0GC13-0AX0
2	010-010921	1	SWITCH-22MM-2 POS.-OFF/ON
3	010-010924	1	SWITCH HOLDER-22MM ACT SWITCH
4	010-010925	1	CONTACT-N/O-22MM ACT SWITCH
5	012-010163	2	CABLE-CAT5E-7FT-SHIELDED-BLUE
6	016-001013	1	INSULATED FORK TERMINAL - 14-16 AWG - #8 STUD
7	019-010381	1	INDICATOR LIGHT-22MM-WHITE
8	019-010950	1	LIGHT-LED MODULE-GRN-24VDC SIE
9	100-012196	1	SWITCH/HMI INSERT PANEL-SIE TP700 COMFORT-2021+

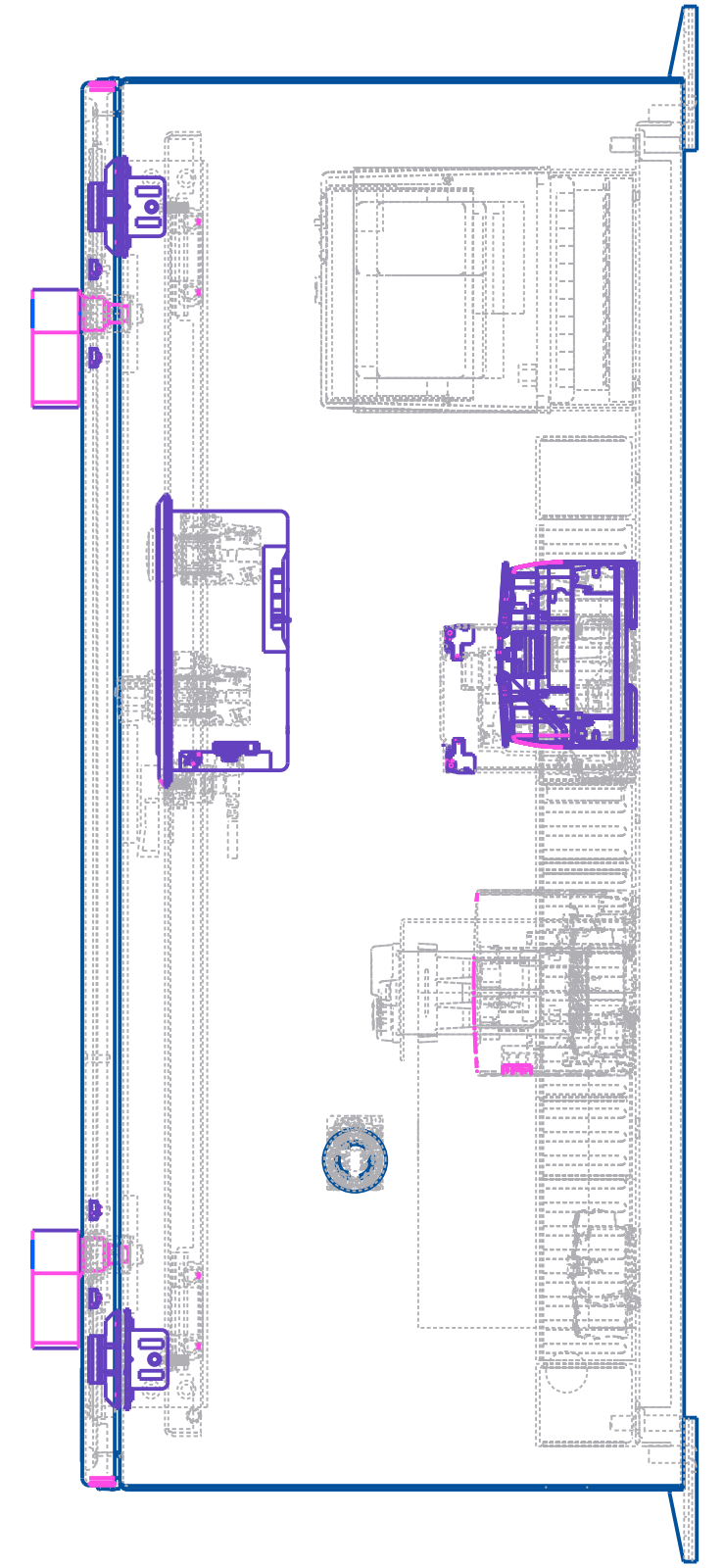
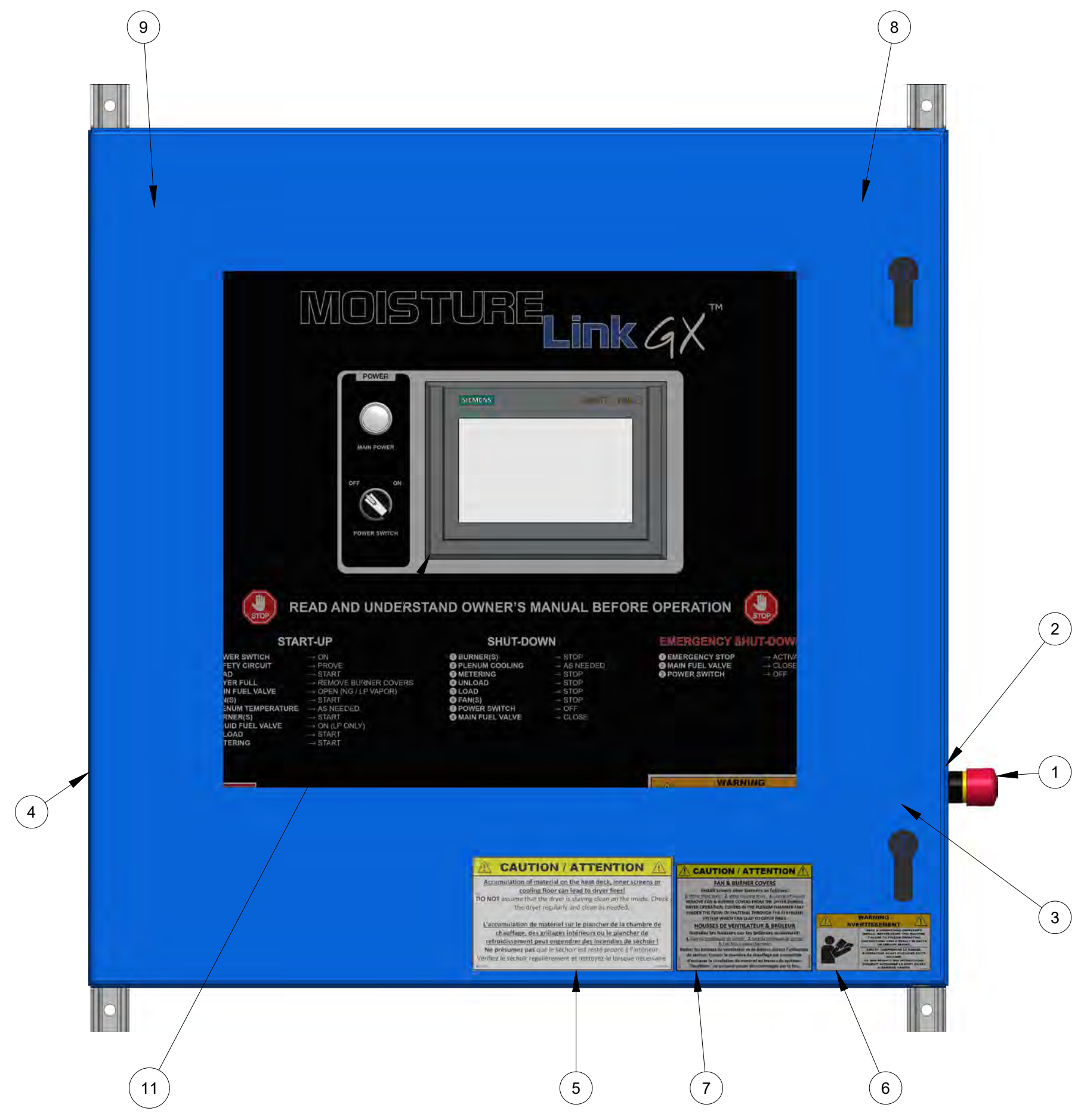


MASS:	140289837.711	PART NO.:	507-012319
		DESCRIPTION:	ASS'Y-SWITCH PANEL-GX SIE. / 1-4 BURNER-DCC-2021 +
		MODELED BY:	AJ LANTZER
		THICKNESS:	
		MATERIAL:	
		SCALE:	0.313
		DATE:	Jan-13-21
ECO#	LET	DESCRIPTION	DATE
		USED ON:	

TOLERANCE: DECIMAL ± .010 FRACTION ± 1/32 ANGLE ± 1° UNLESS OTHERWISE SPECIFIED

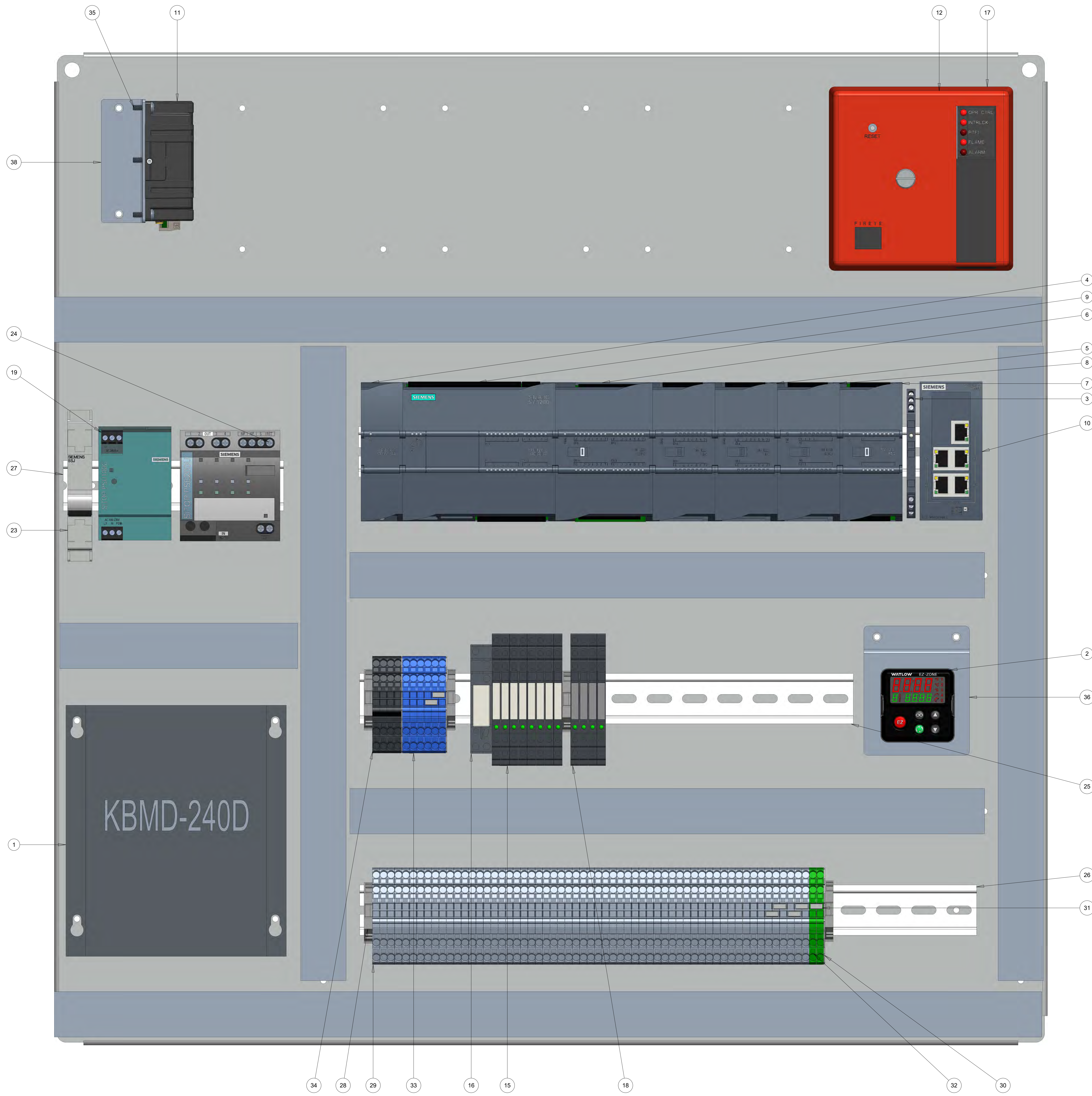
DELUX MFG. CO.
KEARNEY, NE

ITEM	PART NUMBER	QTY	DESCRIPTION
1	010-010923	1	SW-E/STOP-40MM-ROT. SIE 3SU1001-1HB20-0AA0
2	010-010924	1	SWITCH HOLDER-22MM ACT SWITCH
3	010-010926	2	CONTACT-N/C-22MM ACT SWITCH
4	013-010898	1	ENCLOSURE-30" X 30" X 12"-CSD303012 W/WIN & SP
5	018-010910	1	LABEL-"CAUTION - ACCUMULATION OF..HEAT DECK.."
6	018-010912	1	LABEL-"WARNING - READ OWNER'S MANUAL"
7	018-010918	1	LABEL - FAN & BURNER COVER - STAYKLEEN
8	040-004722	8	NUT HEX #10-32UNF GR 2
9	040-006839	8	SCREW PHHD PHIL #10-32UNF X1/2
10	506-012292	1	ASS'Y-INSERT PANEL-GX-4 BURNER-DCC-2021+
11	507-012319	1	ASS'Y-SWITCH PANEL-GX SIE. / 1-4 BURNER-DCC-2021+



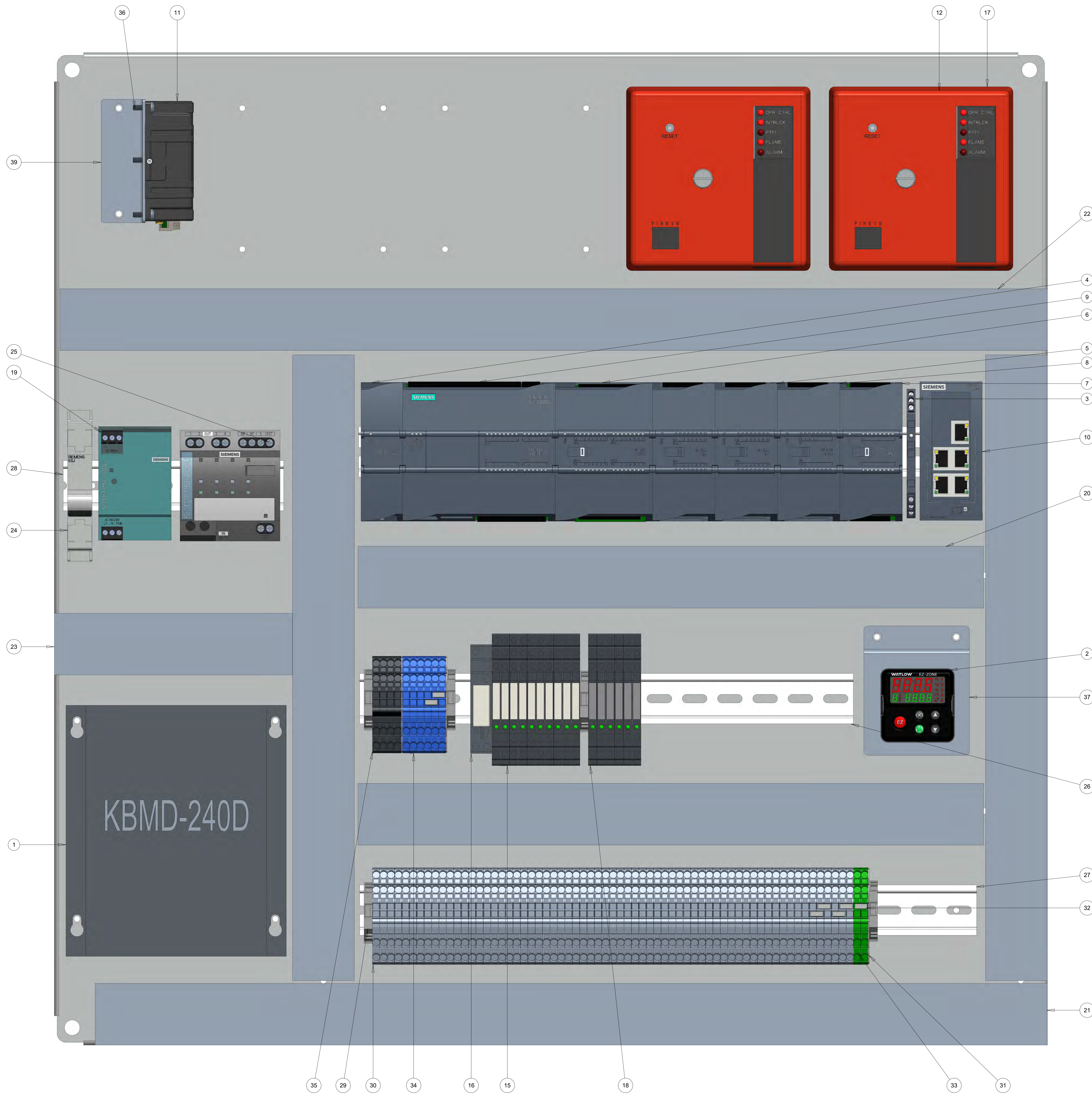
MASS:	2631586618.128	PART NO.:	508-012323
		DESCRIPTION:	ASS'Y-DRYER CONTROL CENTER-4 BURNER-MLINK GX 20
		MODELED BY:	AJ LANTZER
		THICKNESS:	
		MATERIAL:	
		SCALE:	0.250
		DATE:	Jan-13-21
ECO#	LET	DESCRIPTION	DATE
TOLERANCE: DECIMAL ±.010 FRACTION ±1/32 ANGLE ±1° UNLESS OTHERWISE SPECIFIED			

DELUX MFG. CO.
KEARNEY, NE



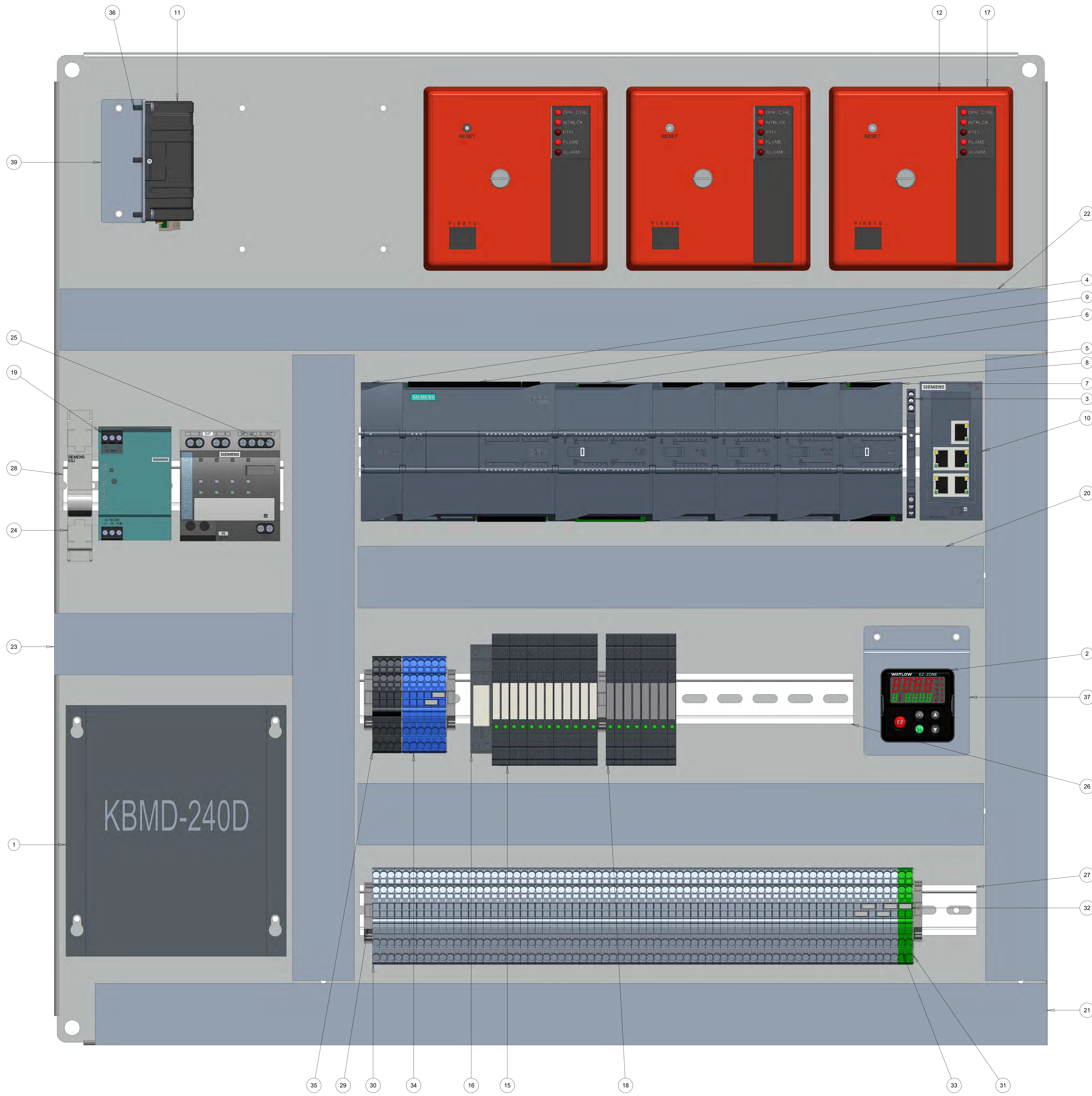
ITEM	PART NUMBER	QTY	DESCRIPTION
1	006-009080	1	DC DRIVE - KB PENTA - KBMD-240D
2	006-009888	1	TEMP. CONT.-(TEMP/H LIMIT) PM6C1FA-ALEJAAA
3	006-010099	1	ANALOG SIGNAL CONV./ISOL. 0-10VDC IN/OUT
4	006-011952	1	SIEMENS COM MODULE CM 1241 RS422/485
5	006-011953	2	SIEMENS 16 IN SM 1221 DC
6	006-011954	1	SIEMENS 16IN/16OUT SM 1223 DC/DC
7	006-011955	1	SIEMENS RTD SM 1231 RTD
8	006-011956	1	SIEMENS ANALOG CARD SM 1234 AI/AQ
9	006-011957	1	SIEMENS CPU 1214C DC/DC/DC
10	006-012295	1	5 PORT ETHERNET SW. SIE 6GK5005-0BA00-1AB2
11	006-012556	1	CELLULAR RADIO DIGI IX10
12	007-000741	1	FLAME CONTROL - WIRING BASE FIREYE #61-3060
13	007-009335	1	FLAME CONTROL- PROGRAMMR FIREYE MEP100
14	007-009336	1	FLAME CONTROL-AMPLIFIER FIREYE MERT4
15	007-010928	8	INTERFACE RELAY-6A-24VDC COIL RSL1PVBU
16	007-010949	1	INTERFACE RELAY-12A-24VDC COIL RSB1A120BDS
17	007-011002	1	FLAME CONTROL-CHASSIS FIREYE MEC120RC
18	007-012190	4	INTERFACE RELAY-6A-120VAC COIL RSLZVA3
19	008-012293	1	TRNSFMR-120VAC PRIM. / 24VDC 4A SIEMENS
20	011-012564-18000	4	WIRE DUCT-1" X 3" X 18"
21	011-012564-28000	2	WIRE DUCT-1" X 3" X 28"
22	011-012564-6750	1	WIRE DUCT-1" X 3" X 6 3/4"
23	015-011004	1	CIRCUIT BREAKER-6 AMP 1-POLE 5SJ4106-7HG41
24	015-012294	1	SELECTIVITY MODULE SIE 6AG1961-2BA31-7AA0
25	016-008932-14000	1	DIN RAIL - 35MM X 14"
26	016-008932-17500	2	DIN RAIL - 35MM X 17-1/2"
27	016-008932-6250	1	DIN RAIL - 35MM X 6-1/4"
28	016-010055	5	TERMINAL BLOCK-END CLAMP-6MM WAGO 249-116
29	016-010431	59	TERM. BLOCK-GRAY-RAIL MNT WAGO 2002-1401
30	016-010432	3	TERM. BLOCK-END/INTERM. PLATE WAGO 2002-1491
31	016-010433	7	TERM. BLOCK-2-WAY JUMPER WAGO 2002-402
32	016-010456	2	TERM. BLOCK-YEL/GRN-RAIL MOUNT WAGO 2002-1407
33	016-012201	6	TERM. BLOCK-BLUE-RAIL MNT WAGO 2002-1404
34	016-012202	4	TERM. BLOCK-BLACK-RAIL MNT WAGO 2002-1405
35	040-005204	3	SCREW,TCS PANHD #8-32UNC X 1/2 TYPE F, ZINC
36	100-011292	1	BRACKET-WATLOW TEMP CONTROL-INSERT-G2
37	100-012288	1	INSERT PANEL-DCC-MOISTURELINK GX-2021+
38	100-012562	1	BRKT-CELLULAR RADIO INSERT MOUNT FOR DIGI IX10

MASS:	1379506522.602	PART NO.:	506-012289
		DESCRIPTION:	ASS'Y-INSERT PANEL-GX-1 BURNER-DCC-2021+
		MODELED BY:	AJ Lantzer
		THICKNESS:	
		MATERIAL:	
		SCALE:	0.875
		DATE:	Dec-17-20
		USED ON:	
TOLERANCE: DECIMAL ±.010 FRACTION ±1/32 ANGLE ±1° UNLESS OTHERWISE SPECIFIED		DELUX MFG. CO. KEARNEY, NE	



ITEM	PART NUMBER	QTY	DESCRIPTION
1	006-009080	1	DC DRIVE - KB PENTA - KBMD-240D
2	006-009888	1	TEMP. CONT.-(TEMP/H LIMIT) PM6C1FA-ALEJAAA
3	006-010099	1	ANALOG SIGNAL CONV./ISOL. 0-10VDC IN/OUT
4	006-011952	1	SIEMENS COM MODULE CM 1241 RS422/485
5	006-011953	2	SIEMENS 16 IN SM 1221 DC
6	006-011954	1	SIEMENS 16IN/16OUT SM 1223 DC/DC
7	006-011955	1	SIEMENS RTD SM 1231 RTD
8	006-011956	1	SIEMENS ANALOG CARD SM 1234 AI/AQ
9	006-011957	1	SIEMENS CPU 1214C DC/DC/DC
10	006-012295	1	5 PORT ETHERNET SW. SIE 6GK5005-0BA00-1AB2
11	006-012556	1	CELLULAR RADIO DIGI IX10
12	007-000741	2	FLAME CONTROL - WIRING BASE FIREYE #61-3060
13	007-009335	2	FLAME CONTROL- PROGRAMMR FIREYE MEP100
14	007-009336	2	FLAME CONTROL-AMPLIFIER FIREYE MERT4
15	007-010928	10	INTERFACE RELAY-6A-24VDC COIL RSL1PVBU
16	007-010949	1	INTERFACE RELAY-12A-24VDC COIL RSB1A120BDS
17	007-011002	2	FLAME CONTROL-CHASSIS FIREYE MEC120RC
18	007-012190	6	INTERFACE RELAY-6A-120VAC COIL RSLZVA3
19	008-012293	1	TRNSFMR-120VAC PRIM. / 24VDC 4A SIEMENS
20	011-010446-17750	4	WIRE DUCT-1-1/2" X 2-1/4" X 17-3/4"
21	011-010446-27000	1	WIRE DUCT-1-1/2" X 2-1/4" X 27"
22	011-010446-28000	1	WIRE DUCT-1-1/2" X 2-1/4" X 28"
23	011-010446-6750	1	WIRE DUCT-1-1/2" X 2-1/4" X 6-3/4"
24	015-011004	1	CIRCUIT BREAKER-6 AMP 1-POLE 5SJ4106-7HG41
25	015-012294	1	SELECTIVITY MODULE SIE 6AG1961-2BA31-7AA0
26	016-008932-14000	1	DIN RAIL - 35MM X 14"
27	016-008932-17500	2	DIN RAIL - 35MM X 17-1/2"
28	016-008932-6250	1	DIN RAIL - 35MM X 6-1/4"
29	016-010055	5	TERMINAL BLOCK-END CLAMP-6MM WAGO 249-116
30	016-010431	65	TERM. BLOCK-GRAY-RAIL MNT WAGO 2002-1401
31	016-010432	3	TERM. BLOCK-END/INTERM. PLATE WAGO 2002-1491
32	016-010433	7	TERM. BLOCK-2-WAY JUMPER WAGO 2002-402
33	016-010456	2	TERM. BLOCK-YEL/GRN-RAIL MOUNT WAGO 2002-1407
34	016-012201	6	TERM. BLOCK-BLUE-RAIL MNT WAGO 2002-1404
35	016-012202	4	TERM. BLOCK-BLACK-RAIL MNT WAGO 2002-1405
36	040-005204	3	SCREW,TCS PANHD #8-32UNC X 1/2 TYPE F, ZINC
37	100-011292	1	BRACKET-WATLOW TEMP CONTROL-INSERT-G2
38	100-012288	1	INSERT PANEL-DCC-MOISTURELINK GX-2021+
39	100-012562	1	BRKT-CELLULAR RADIO INSERT MOUNT FOR DIGI IX10

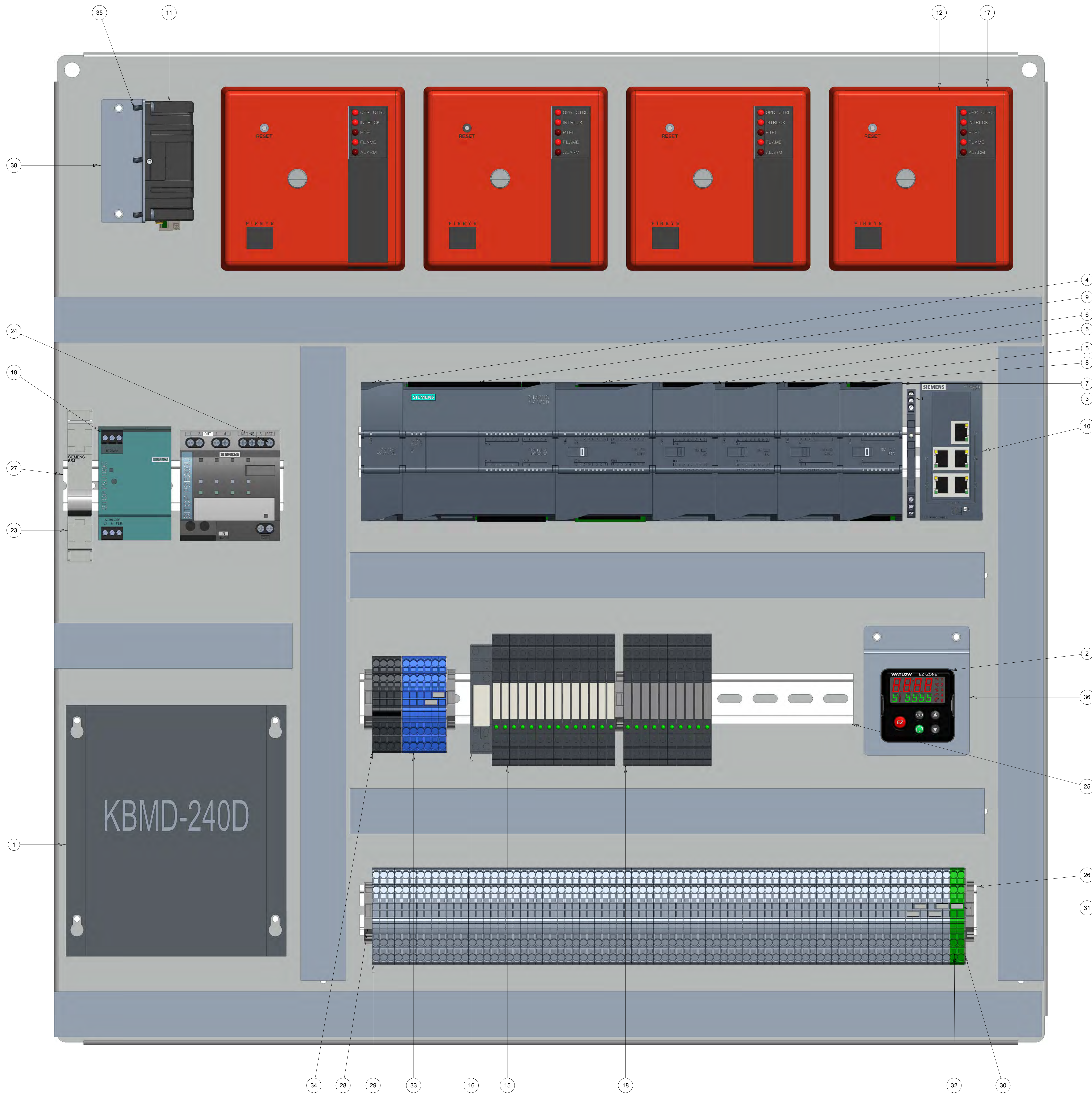
MASS:	1629697028.713	PART NO.:	506-012290
		DESCRIPTION:	ASS'Y-INSERT PANEL-GX-2 BURNER-DCC-2021+
		MODELED BY:	AJ Lantzer
		THICKNESS:	
		MATERIAL:	
		SCALE:	0.875
		DATE:	Dec-17-20
		USED ON:	
TOLERANCE: DECIMAL ±.010 FRACTION ±1/32 ANGLE ±1° UNLESS OTHERWISE SPECIFIED		DELUX MFG. CO. KEARNEY, NE	



ITEM	PART NUMBER	QTY	DESCRIPTION
1	006-009080	1	DC DRIVE - KB PENTA - KBMD-240D
2	006-009888	1	TEMP. CONT.-(TEMP/H LIMIT) PM6C1FA-ALEJAAA
3	006-010099	1	ANALOG SIGNAL CONV./ISOL. 0-10VDC IN/OUT
4	006-011952	1	SIEMENS COM MODULE CM 1241 RS422/485
5	006-011953	2	SIEMENS 16 IN SM 1221 DC
6	006-011954	1	SIEMENS 16IN/16OUT SM 1223 DC/DC
7	006-011955	1	SIEMENS RTD SM 1231 RTD
8	006-011956	1	SIEMENS ANALOG CARD SM 1234 AI/AQ
9	006-011957	1	SIEMENS CPU 1214C DC/DC/DC
10	006-012295	1	5 PORT ETHERNET SW. SIE 6GK5005-0BA00-1AB2
11	006-012556	1	CELLULAR RADIO DIGI IX10
12	007-000741	3	FLAME CONTROL - WIRING BASE FIREYE #61-3060
13	007-009335	3	FLAME CONTROL- PROGRAMMR FIREYE MEP100
14	007-009336	3	FLAME CONTROL-AMPLIFIER FIREYE MERT4
15	007-010928	12	INTERFACE RELAY-6A-24VDC COIL RSL1PVBU
16	007-010949	1	INTERFACE RELAY-12A-24VDC COIL RSB1A120BDS
17	007-011002	3	FLAME CONTROL-CHASSIS FIREYE MEC120RC
18	007-012190	8	INTERFACE RELAY-6A-120VAC COIL RSLZVA3
19	008-012293	1	TRNSFMR-120VAC PRIM. / 24VDC 4A SIEMENS
20	011-010446-17750	4	WIRE DUCT-1-1/2" X 2-1/4" X 17-3/4"
21	011-010446-27000	1	WIRE DUCT-1-1/2" X 2-1/4" X 27"
22	011-010446-28000	1	WIRE DUCT-1-1/2" X 2-1/4" X 28"
23	011-010446-6750	1	WIRE DUCT-1-1/2" X 2-1/4" X 6-3/4"
24	015-011004	1	CIRCUIT BREAKER-6 AMP 1-POLE 5SJ4106-7HG41
25	015-012294	1	SELECTIVITY MODULE SIE 6AG1961-2BA31-7AA0
26	016-008932-14000	1	DIN RAIL - 35MM X 14"
27	016-008932-17500	2	DIN RAIL - 35MM X 17-1/2"
28	016-008932-6250	1	DIN RAIL - 35MM X 6-1/4"
29	016-010055	5	TERMINAL BLOCK-END CLAMP-6MM WAGO 249-116
30	016-010431	71	TERM. BLOCK-GRAY-RAIL MNT WAGO 2002-1401
31	016-010432	3	TERM. BLOCK-END/INTERM. PLATE WAGO 2002-1491
32	016-010433	7	TERM. BLOCK-2-WAY JUMPER WAGO 2002-402
33	016-010456	2	TERM. BLOCK-YEL/GRN-RAIL MOUNT WAGO 2002-1407
34	016-012201	6	TERM. BLOCK-BLUE-RAIL MNT WAGO 2002-1404
35	016-012202	4	TERM. BLOCK-BLACK-RAIL MNT WAGO 2002-1405
36	040-005204	3	SCREW,TCS PANHD #8-32UNC X 1/2 TYPE F, ZINC
37	100-011292	1	BRACKET-WATLOW TEMP CONTROL-INSERT-G2
38	100-012288	1	INSERT PANEL-DCC-MOISTURELINK GX-2021+
39	100-012562	1	BRKT-CELLULAR RADIO INSERT MOUNT FOR DIGI IX10

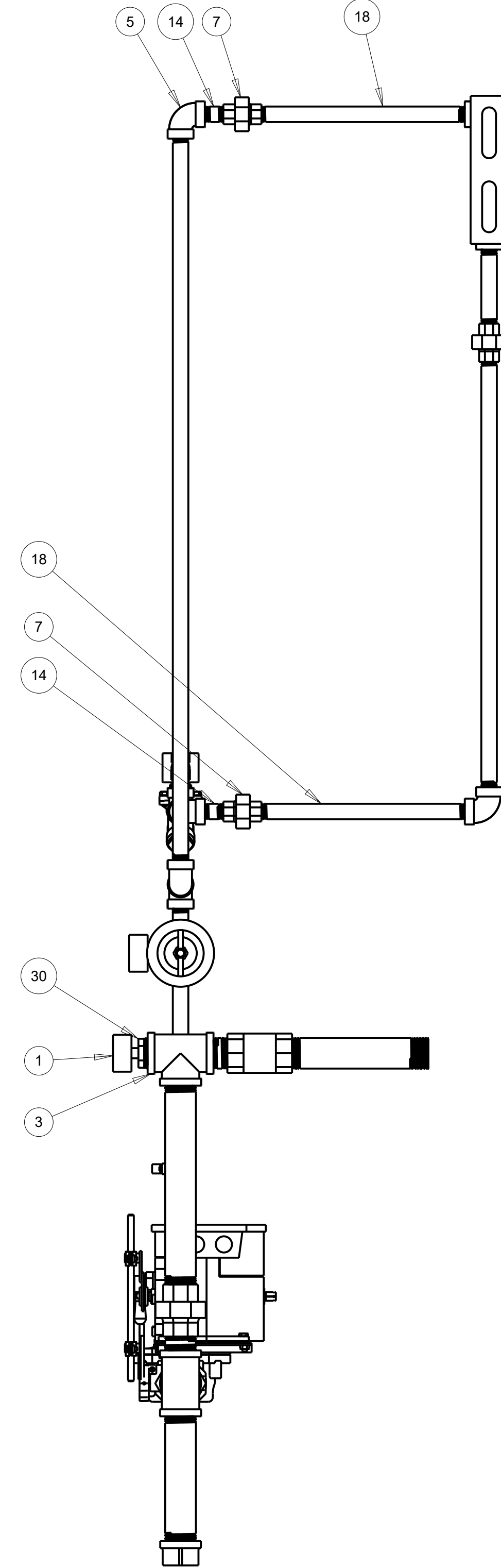
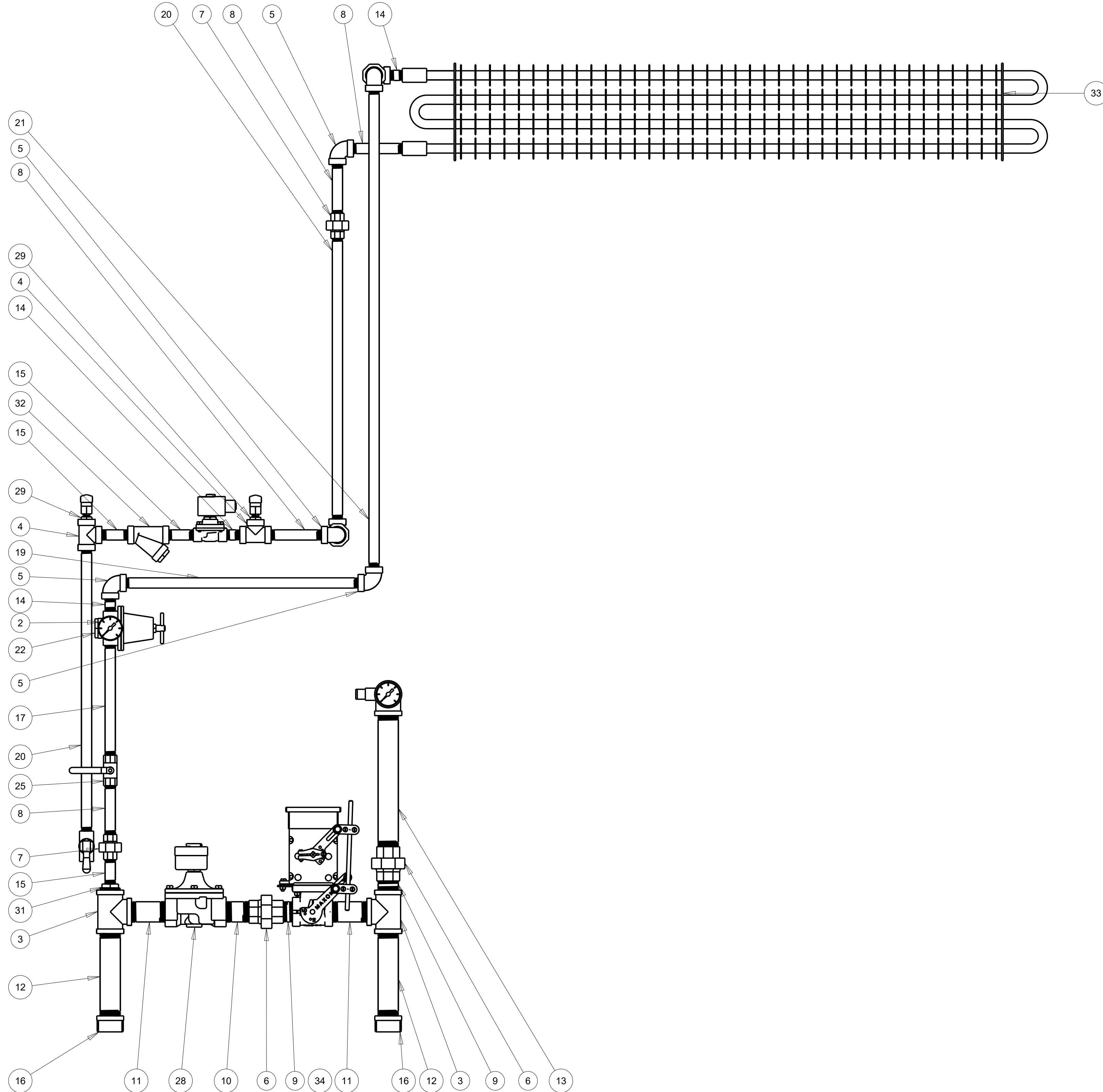
MASS:	1979887537.656	PART NO.:	506-012291
		DESCRIPTION:	ASS'Y-INSERT PANEL-GX-3 BURNER-DCC-2021+
		MODELED BY:	AJ Lantzer
		THICKNESS:	
		MATERIAL:	
		SCALE:	0.875
		DATE:	Dec-17-20
		USED ON:	
TOLERANCE: DECIMAL ±.010 FRACTION ±1/32 ANGLE ±1°		UNLESS OTHERWISE SPECIFIED	

DELUX MFG. CO.
KEARNEY, NE



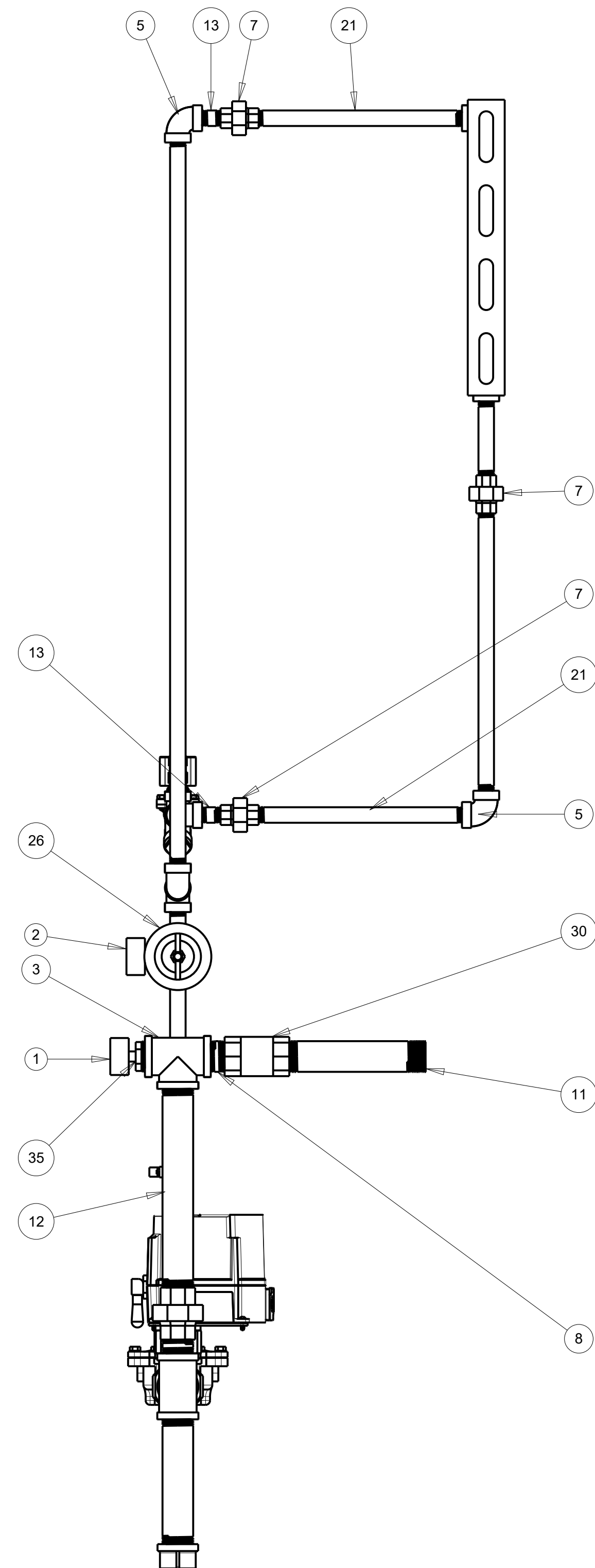
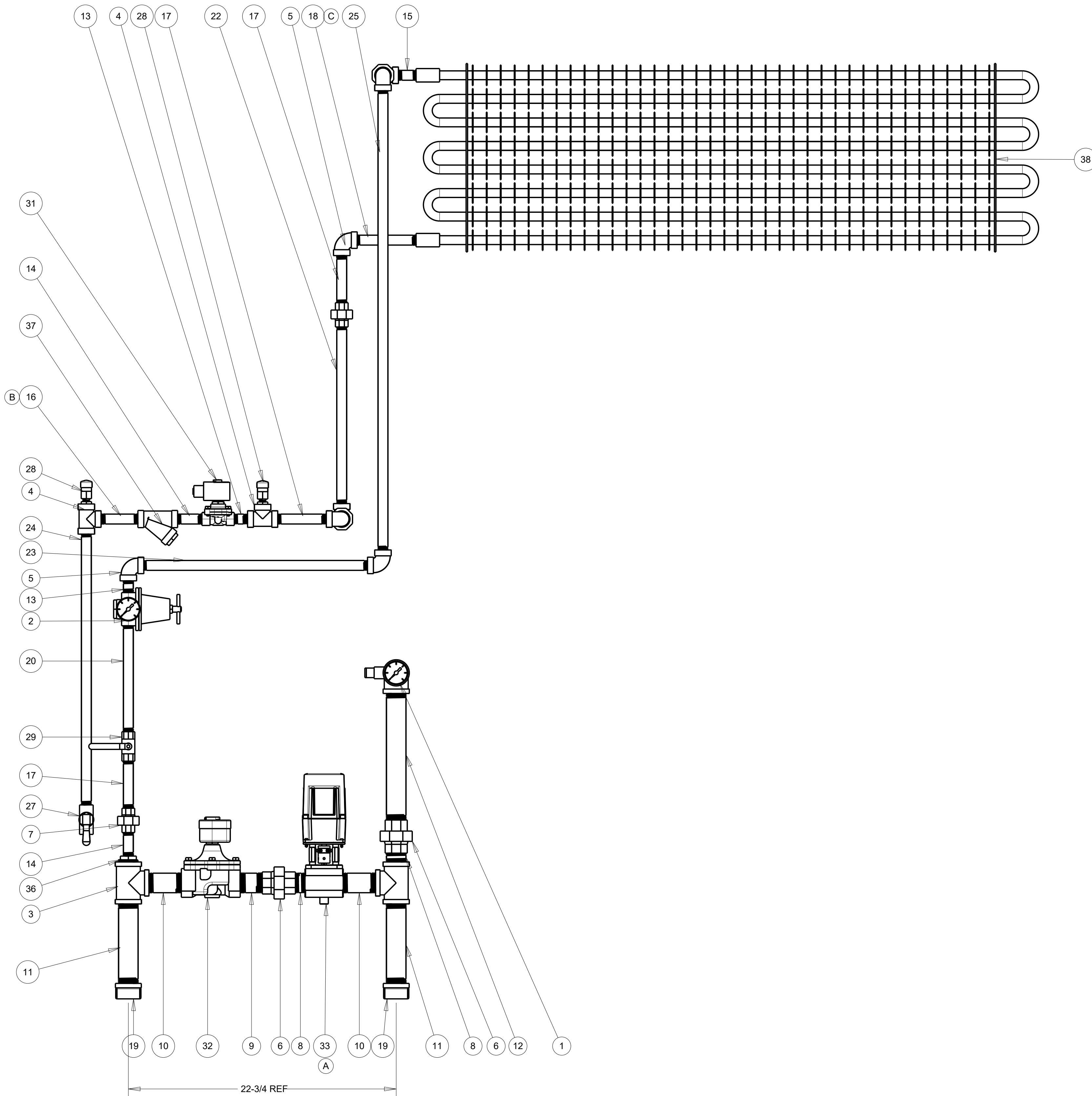
ITEM	PART NUMBER	QTY	DESCRIPTION
1	006-009080	1	DC DRIVE - KB PENTA - KBMD-240D
2	006-009888	1	TEMP. CONT.-(TEMP/H LIMIT) PM6C1FA-ALEJAAA
3	006-010099	1	ANALOG SIGNAL CONV./ISOL. 0-10VDC IN/OUT
4	006-011952	1	SIEMENS COM MODULE CM 1241 RS422/485
5	006-011953	2	SIEMENS 16 IN SM 1221 DC
6	006-011954	1	SIEMENS 16IN/16OUT SM 1223 DC/DC
7	006-011955	1	SIEMENS RTD SM 1231 RTD
8	006-011956	1	SIEMENS ANALOG CARD SM 1234 AI/AQ
9	006-011957	1	SIEMENS CPU 1214C DC/DC/DC
10	006-012295	1	5 PORT ETHERNET SW. SIE 6GK5005-0BA00-1AB2
11	006-012556	1	CELLULAR RADIO DIGI IX10
12	007-000741	4	FLAME CONTROL - WIRING BASE FIREYE #61-3060
13	007-009335	4	FLAME CONTROL- PROGRAMMR FIREYE MEP100
14	007-009336	4	FLAME CONTROL-AMPLIFIER FIREYE MERT4
15	007-010928	14	INTERFACE RELAY-6A-24VDC COIL RSL1PVBU
16	007-010949	1	INTERFACE RELAY-12A-24VDC COIL RSB1A120BDS
17	007-011002	4	FLAME CONTROL-CHASSIS FIREYE MEC120RC
18	007-012190	10	INTERFACE RELAY-6A-120VAC COIL RSLZVA3
19	008-012293	1	TRNSFM-120VAC PRIM. / 24VDC 4A SIEMENS
20	011-012564-18000	4	WIRE DUCT-1" X 3" X 18"
21	011-012564-28000	2	WIRE DUCT-1" X 3" X 28"
22	011-012564-6750	1	WIRE DUCT-1" X 3" X 6 3/4"
23	015-011004	1	CIRCUIT BREAKER-6 AMP 1-POLE 5SJ4106-7HG41
24	015-012294	1	SELECTIVITY MODULE SIE 6AG1961-2BA31-7AA0
25	016-008932-14000	1	DIN RAIL - 35MM X 14"
26	016-008932-17500	2	DIN RAIL - 35MM X 17-1/2"
27	016-008932-6250	1	DIN RAIL - 35MM X 6-1/4"
28	016-010055	5	TERMINAL BLOCK-END CLAMP-6MM WAGO 249-116
29	016-010431	78	TERM. BLOCK-GRAY-RAIL MNT WAGO 2002-1401
30	016-010432	3	TERM. BLOCK-END/INTERM. PLATE WAGO 2002-1491
31	016-010433	7	TERM. BLOCK-2-WAY JUMPER WAGO 2002-402
32	016-010456	2	TERM. BLOCK-YEL/GRN-RAIL MOUNT WAGO 2002-1407
33	016-012201	6	TERM. BLOCK-BLUE-RAIL MNT WAGO 2002-1404
34	016-012202	4	TERM. BLOCK-BLACK-RAIL MNT WAGO 2002-1405
35	040-005204	3	SCREW,TCS PANHD #8-32UNC X 1/2 TYPE F, ZINC
36	100-011292	1	BRACKET-WATLOW TEMP CONTROL-INSERT-G2
37	100-012288	1	INSERT PANEL-DCC-MOISTURELINK GX-2021+
38	100-012562	1	BRKT-CELLULAR RADIO INSERT MOUNT FOR DIGI IX10

MASS:	2130078049.598	PART NO.:	506-012292
		DESCRIPTION:	ASS'Y-INSERT PANEL-GX-4 BURNER-DCC-2021+
		MODELED BY:	AJ Lantzer
		THICKNESS:	
		MATERIAL:	
		SCALE:	0.875
		DATE:	Dec-17-20
		USED ON:	
TOLERANCE: DECIMAL ±.010 FRACTION 1/32 ANGLE ±1° UNLESS OTHERWISE SPECIFIED		DELUX MFG. CO. KEARNEY, NE	



ITEM	PART NUMBER	QTY	DESCRIPTION
1	017-001033	1	PRESSURE GAUGE - 2-1/4" - 30# MAX
2	017-008459	1	PRESSURE GAUGE - 2-1/4" - 60# MAX
3	020-001103	3	PIPE TEE - 1-1/4" - SCH 40 - BLK
4	020-003022	2	PIPE TEE - 1/2" - SCH 80
5	021-003023	7	PIPE ELBOW - 1/2" - 90° - SCH 80
6	023-001182	2	PIPE UNION - 1-1/4" - SCH 40 - BLK
7	023-003024	4	PIPE UNION - 1/2" - SCH 80
8	024-001208	4	PIPE NIPPLE - 1/2" X 5" - SCH 80
9	024-001236	3	PIPE NIPPLE - 1-1/4" X 2" SCH 40 - 125# BLACK
10	024-001237	1	PIPE NIPPLE - 1-1/4" X 3" SCH 40 - 125# BLACK
11	024-001238	2	PIPE NIPPLE - 1-1/4" X 4" SCH 40 - 125# BLACK
12	024-001241	3	PIPE NIPPLE - 1-1/4" X 8" SCH 40 - 125# BLACK
13	024-001244	1	PIPE NIPPLE - 1-1/4" X 12" SCH 40 - 125# BLACK
14	024-002962	5	PIPE NIPPLE - 1/2" X 2" - SCH 80
15	024-002963	3	PIPE NIPPLE - 1/2" X 3" - SCH 80
16	025-001282	2	PIPE CAP - 1-1/4" - SCH 40 - BLK
17	027-003025-10000	1	PIPE NIPPLE - 1/2" X 10" - SCH 80
18	027-003025-12000	2	PIPE NIPPLE - 1/2" X 12" - SCH 80
19	027-003025-19000	1	PIPE NIPPLE - 1/2" X 19" - SCH 80
20	027-003025-24000	2	PIPE NIPPLE - 1/2" X 24" - SCH 80
21	027-003025-40000	1	PIPE NIPPLE - 1/2" X 40" - SCH 80
22	028-003012	1	REGULATOR - 1/2" HIGH TEMPERATURE
23	028-003013	1	1/2" SNAP VALVE - QUICK ACTING
24	028-003014	2	POP-OFF PRESSURE RELEASE VALVE
25	028-003026	1	BALL VALVE - 1/2" FULL PORT
26	028-003027	1	BALL VALVE - 1-1/4" - FULL PORT
27	028-003097	1	SOLENOID VALVE 1/2" 120V
28	028-003098	1	SOLENOID VALVE 1-1/4" 120V
29	029-001331	2	HEX REDUCER BUSHING - 1/2" TO 1/4"
30	029-001341	1	HEX REDUCER BUSHING - 1-1/4" TO 1/4"
31	029-001343	1	HEX REDUCER BUSHING - 1-1/4" TO 1/2"
32	031-003029	1	1/2" Y-STRAINER
33	031-003093	1	VAPORIZER - 4 ROW - 10"
34	400-010724	1	ASS'Y-MOD MTR-HNYWL/MAX. COMBO-1-1/4"

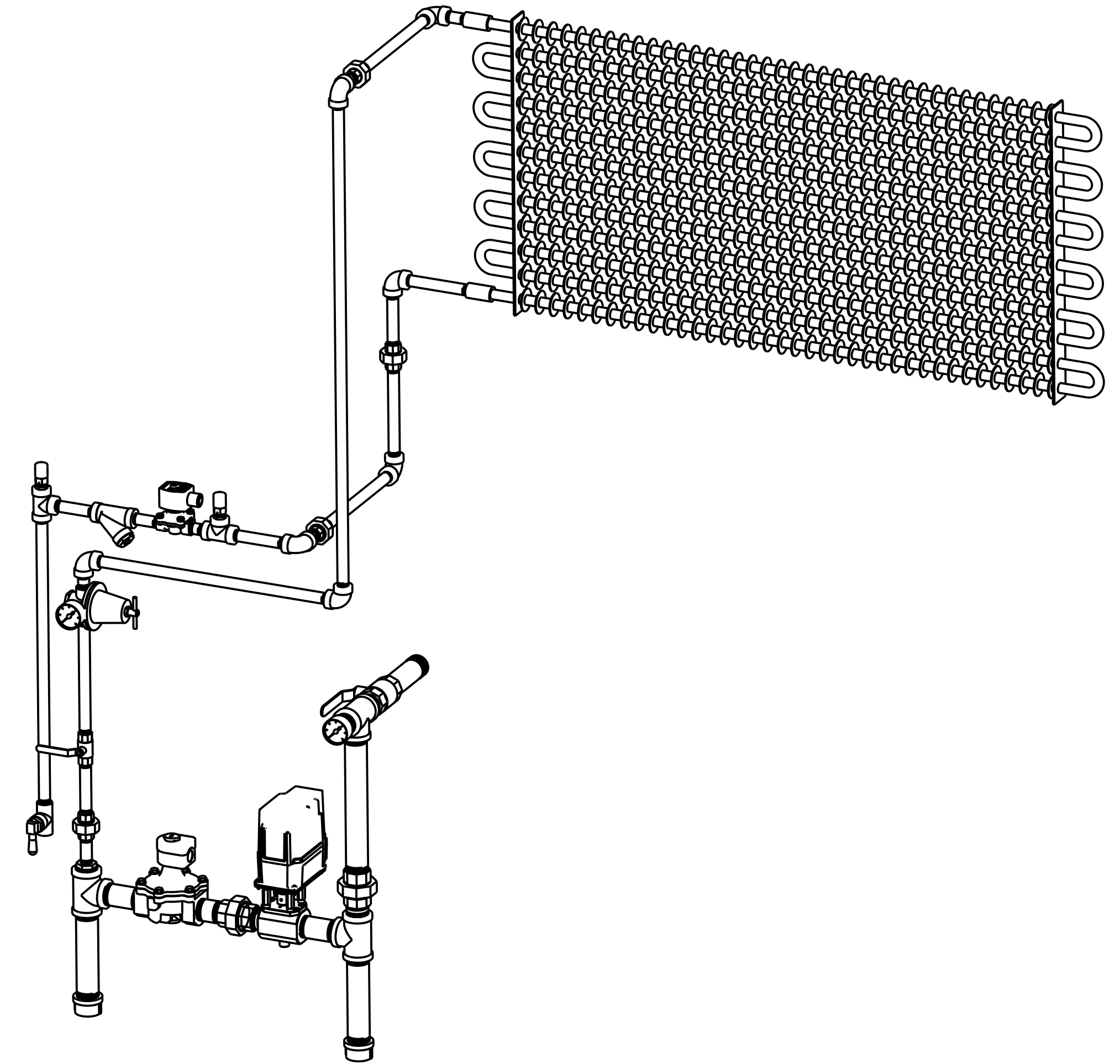
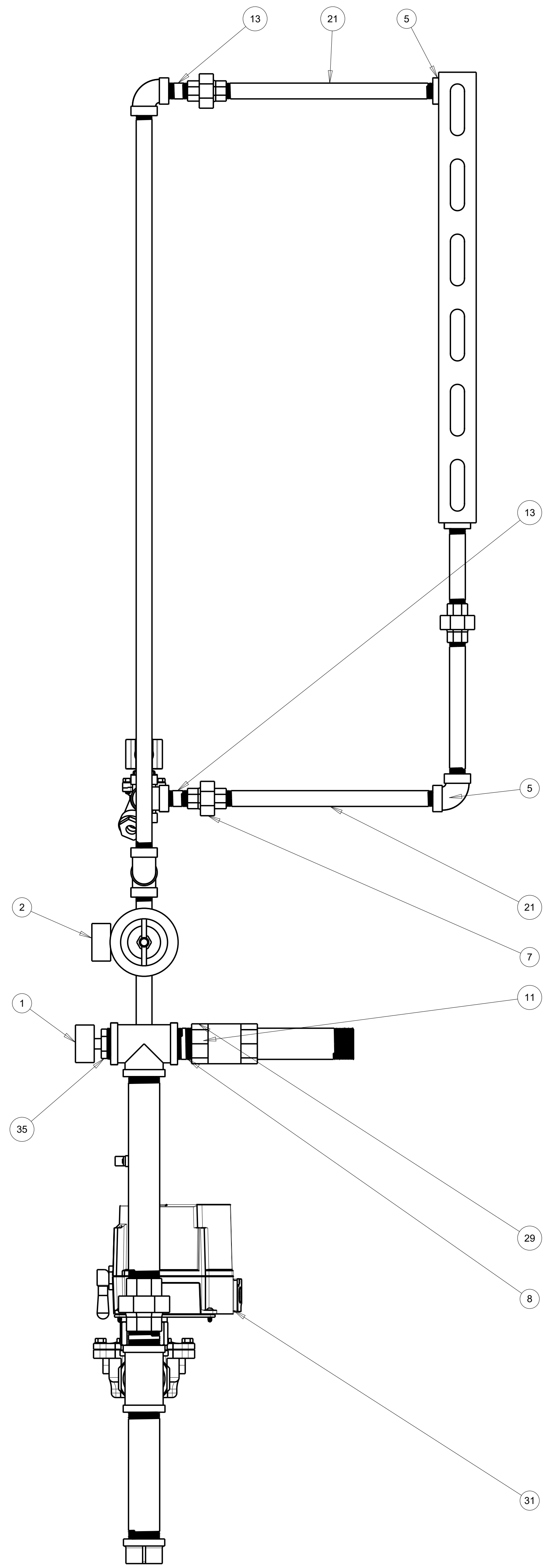
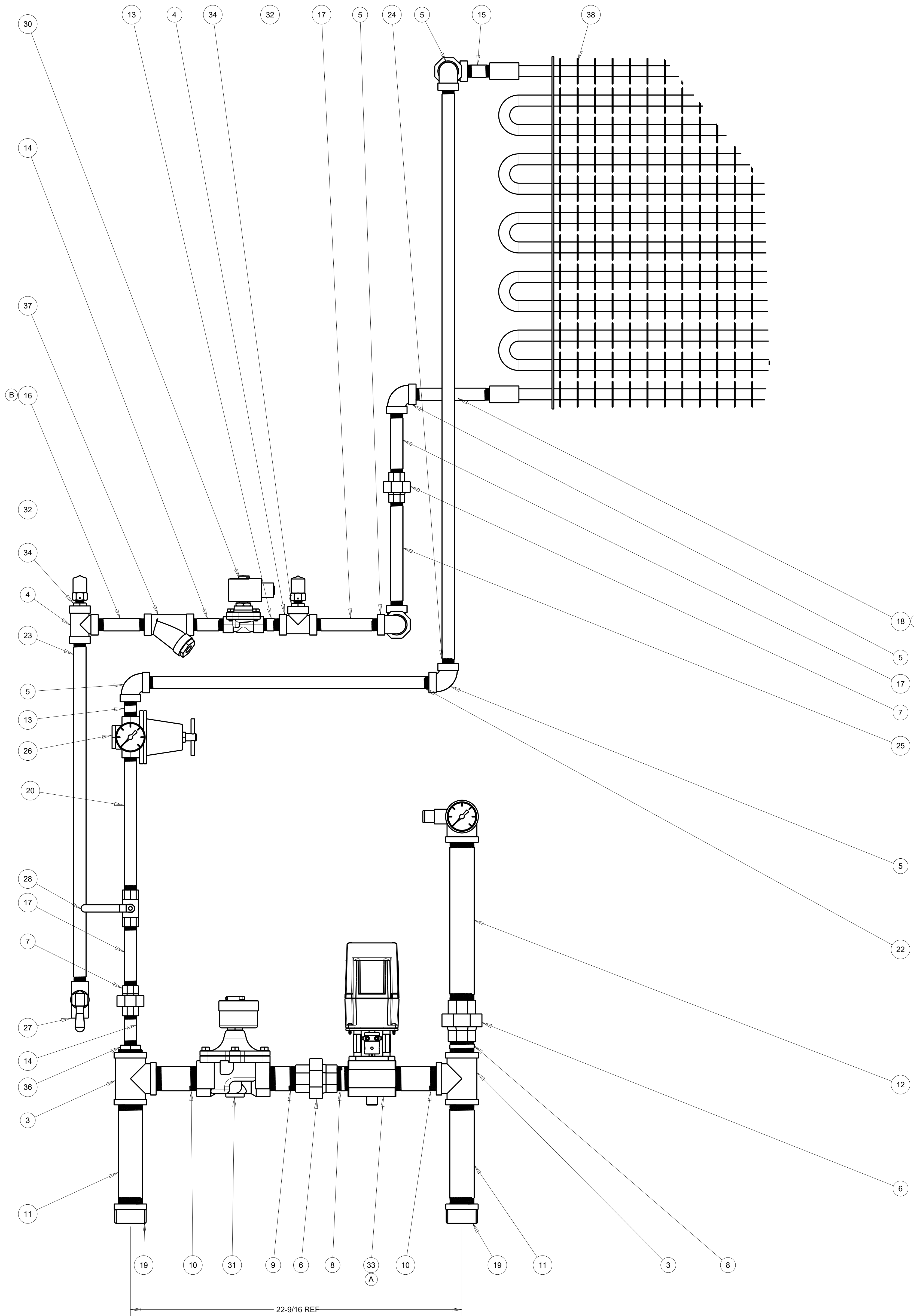
DRAWN BY JGW				DELUX MFG. CO. KEARNEY, NE		TITLE:	
DATE 02/08/11						ASS'Y - FUEL TRAIN 1-1/4" DOMESTIC MOD. VALVE / MAXON 4R VAPORIZER	
CHKD				USED ON:		DRAWING NO.	
SCALE				NEXT ASSY:		400-009869	
ECO#	LET	DESCRIPTION	DATE	MATL.	SHEAR SIZE		
TOLERANCE: DECIMAL ±.010 FRACTION ±1/32 ANGLE ±1° UNLESS OTHERWISE SPECIFIED							



ITEM	PART NUMBER	QTY	DESCRIPTION
1	017-001033	1	PRESSURE GAUGE - 2-1/4" - 30# MAX
2	017-008459	1	PRESSURE GAUGE - 2-1/4" - 60# MAX
3	020-001103	3	PIPE TEE - 1-1/4" - SCH 40 - BLK
4	020-003022	2	PIPE TEE - 1/2" - SCH 80
5	021-003023	7	PIPE ELBOW - 1/2" - 90° - SCH 80
6	023-001182	2	PIPE UNION - 1-1/4" - SCH 40 - BLK
7	023-003024	4	PIPE UNION - 1/2" - SCH 80
8	024-001236	3	PIPE NIPPLE - 1-1/4" X 2" SCH 40 - 125# BLACK
9	024-001237	1	PIPE NIPPLE - 1-1/4" X 3" SCH 40 - 125# BLACK
10	024-001238	2	PIPE NIPPLE - 1-1/4" X 4" SCH 40 - 125# BLACK
11	024-001241	3	PIPE NIPPLE - 1-1/4" X 8" SCH 40 - 125# BLACK
12	024-001244	1	PIPE NIPPLE - 1-1/4" X 12" SCH 40 - 125# BLACK
13	024-002962	4	PIPE NIPPLE - 1/2" X 2" - SCH 80
14	024-002963	2	PIPE NIPPLE - 1/2" X 3" - SCH 80
15	024-003188	1	PIPE NIPPLE - 1/2" X 2-1/2" - SCH 80
16	024-005286	1	PIPE NIPPLE - 1/2" X 4" - SCH 80
17	024-008253	3	PIPE NIPPLE - 1/2" X 5" SCH 80 300# BLK
18	024-008254	1	PIPE NIPPLE - 1/2" X 6" SCH 80 300# BLK
19	025-001282	2	PIPE CAP - 1-1/4" - SCH 40 - BLK
20	027-003025-10000	1	PIPE NIPPLE - 1/2" X 10" - SCH 80
21	027-003025-12000	2	PIPE NIPPLE - 1/2" X 12" - SCH 80
22	027-003025-16000	1	PIPE NIPPLE - 1/2" X 16" - SCH 80
23	027-003025-19000	1	PIPE NIPPLE - 1/2" X 19" - SCH 80
24	027-003025-24000	1	PIPE NIPPLE - 1/2" X 24" - SCH 80
25	027-003025-40000	1	PIPE NIPPLE - 1/2" X 40" - SCH 80
26	028-003012	1	REGULATOR - 1/2" HIGH TEMPERATURE
27	028-003013	1	1/2" SNAP VALVE - QUICK ACTING
28	028-003014	2	POP-OFF PRESSURE RELEASE VALVE
29	028-003026	1	BALL VALVE - 1/2" FULL PORT
30	028-003027	1	BALL VALVE - 1-1/4" - FULL PORT
31	028-003097	1	SOLENOID VALVE 1/2" 120V
32	028-003098	1	SOLENOID VALVE 1-1/4" 120V
33	028-012090	1	ACTUATOR/BUTTERFLY- 1 1/4", SIEMENS
34	029-001331	2	HEX REDUCER BUSHING - 1/2" TO 1/4"
35	029-001341	1	HEX REDUCER BUSHING - 1-1/4" TO 1/4"
36	029-001343	1	HEX REDUCER BUSHING - 1-1/4" TO 1/2"
37	031-003029	1	1/2" Y-STRAINER
38	031-003094	1	VAPORIZER - 8 ROW - 20"

MASS:	314.216	PART NO.:	400-009867	
		DESCRIPTION:	ASS'Y-FUEL TRAIN 1-1/4" DOMESTIC MOD VALVE/ASCO 8R VAPOR	
		MODELED BY:	JGW	
		THICKNESS:		
C	6" Was 5"	08/29/20	MATERIAL:	
B	4" Was 3"	08/29/20	SCALE:	0.187
A	Siemens Mod Sys.	03/27/20	DATE:	Feb-04-11
ECO#	LET	DESCRIPTION	DATE	USED ON:
TOLERANCE: DECIMAL ± .010 FRACTION ± 1/32 ANGLE ± 1° UNLESS OTHERWISE SPECIFIED				

DELUX MFG. CO.
KEARNEY, NE

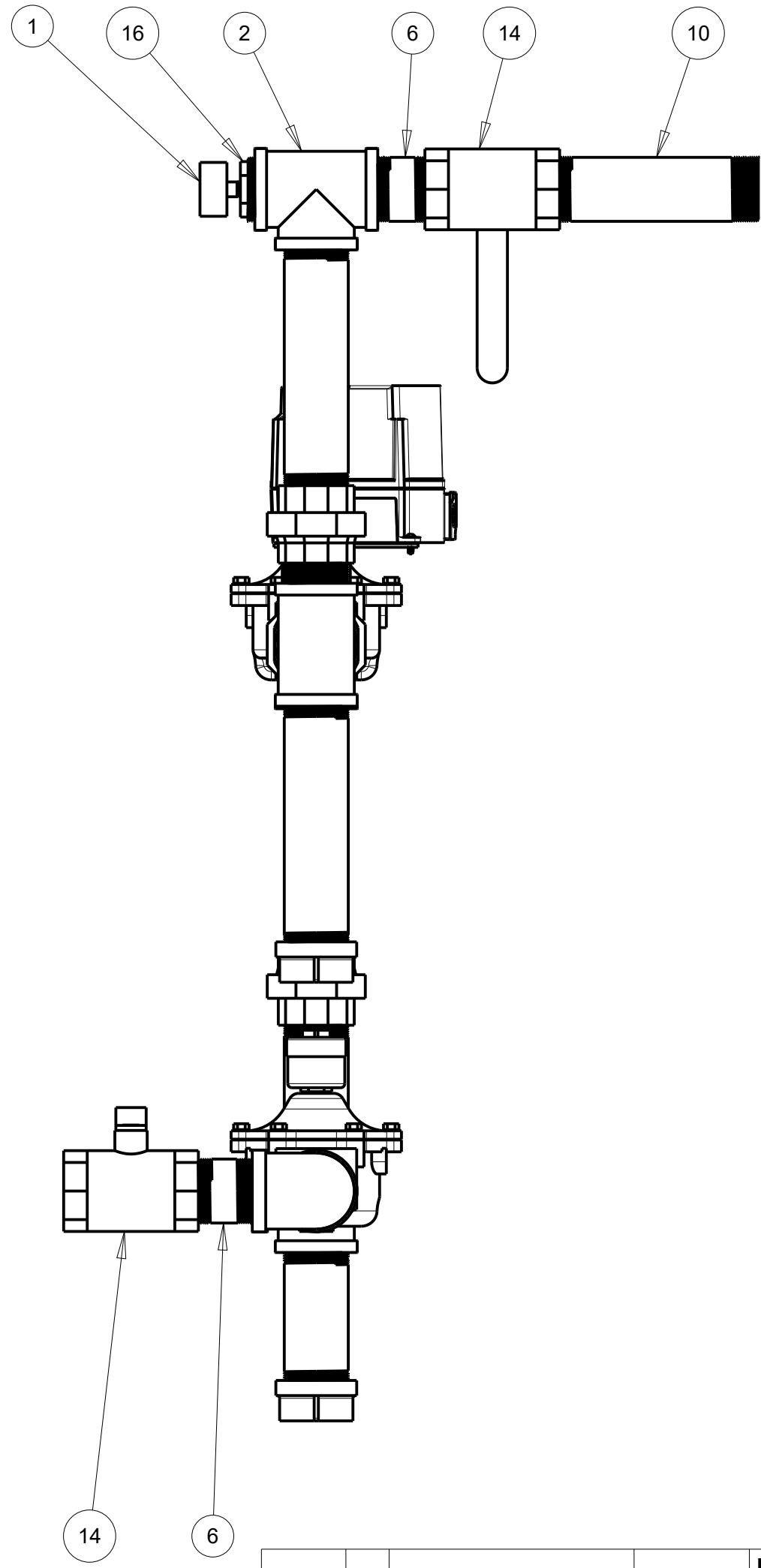
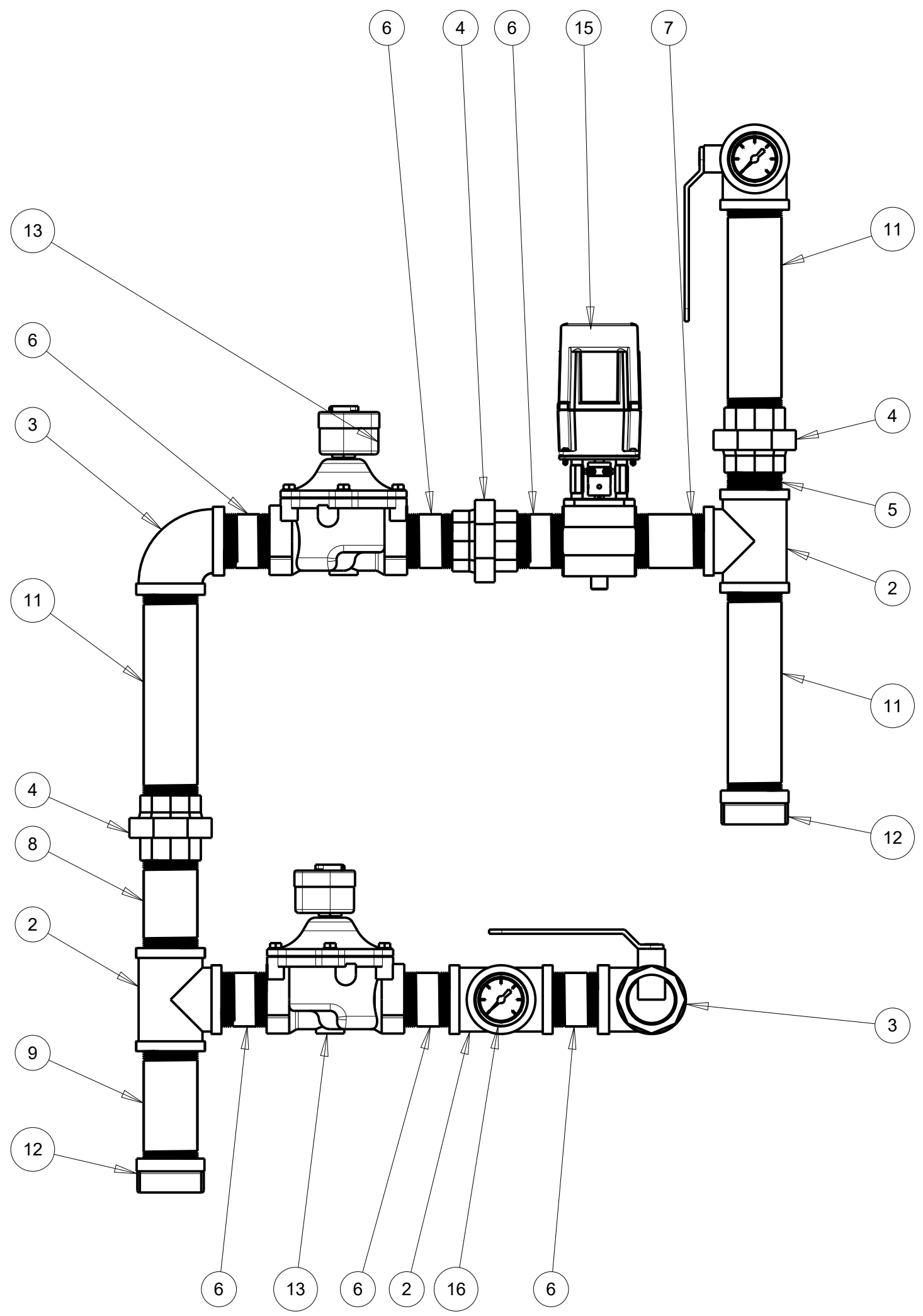


ITEM	PART NUMBER	QTY	DESCRIPTION
1	017-001033	1	PRESSURE GAUGE - 2-1/4" - 30# MAX
2	017-008459	1	PRESSURE GAUGE - 2-1/4" - 60# MAX
3	020-001103	3	PIPE TEE - 1-1/4" - SCH 40 - BLK
4	020-003022	2	PIPE TEE - 1/2" - SCH 80
5	021-003023	7	PIPE ELBOW - 1/2" - 90° - SCH 80
6	023-001182	2	PIPE UNION - 1-1/4" - SCH 40 - BLK
7	023-003024	4	PIPE UNION - 1/2" - SCH 80
8	024-001236	3	PIPE NIPPLE - 1-1/4" X 2" SCH 40 - 125# BLACK
9	024-001237	1	PIPE NIPPLE - 1-1/4" X 3" SCH 40 - 125# BLACK
10	024-001238	2	PIPE NIPPLE - 1-1/4" X 4" SCH 40 - 125# BLACK
11	024-001241	3	PIPE NIPPLE - 1-1/4" X 8" SCH 40 - 125# BLACK
12	024-001244	1	PIPE NIPPLE - 1-1/4" X 12" SCH 40 - 125# BLACK
13	024-002962	4	PIPE NIPPLE - 1/2" X 2" - SCH 80
14	024-002963	2	PIPE NIPPLE - 1/2" X 3" - SCH 80
15	024-003188	1	PIPE NIPPLE - 1/2" X 2-1/2" - SCH 80
16	024-005286	1	PIPE NIPPLE - 1/2" X 4" - SCH 80
17	024-008253	3	PIPE NIPPLE - 1/2" X 5" SCH 80 300# BLK
18	024-008254	1	PIPE NIPPLE - 1/2" X 6" SCH 80 300# BLK
19	025-001282	2	PIPE CAP - 1-1/4" - SCH 40 - BLK
20	027-003025-10000	1	PIPE NIPPLE - 1/2" X 10" - SCH 80
21	027-003025-12000	2	PIPE NIPPLE - 1/2" X 12" - SCH 80
22	027-003025-20000	1	PIPE NIPPLE - 1/2" X 20" - SCH 80
23	027-003025-24000	1	PIPE NIPPLE - 1/2" X 24" - SCH 80
24	027-003025-40000	1	PIPE NIPPLE - 1/2" X 40" - SCH 80
25	027-003025-8000	1	PIPE NIPPLE - 1/2" X 8" - SCH 80
26	028-003012	1	REGULATOR - 1/2" HIGH TEMPERATURE
27	028-003013	1	1/2" SNAP VALVE - QUICK ACTING
28	028-003026	1	BALL VALVE - 1/2" FULL PORT
29	028-003027	1	BALL VALVE - 1-1/4" - FULL PORT
30	028-003097	1	SOLENOID VALVE 1/2" 120V
31	028-003098	1	SOLENOID VALVE 1-1/4" 120V
32	028-010730	2	HYDSTC. PRES. RLF. VLV.-450 PSIG- 1/4 MNPT W/CAP
33	028-012090	1	ACTUATOR/BUTTERFLY- 1 1/4", SIEMENS
34	029-001331	2	HEX REDUCER BUSHING - 1/2" TO 1/4"
35	029-001341	1	HEX REDUCER BUSHING - 1-1/4" TO 1/4"
36	029-001343	1	HEX REDUCER BUSHING - 1-1/4" TO 1/2"
37	031-003029	1	1/2" Y-STRAINER
38	031-003095	1	VAPORIZER - 12 ROW - 30"

PART NO.:		400-009868	
DESCRIPTION:		ASS'Y - 1-1/4" FUEL TRAIN-12R DOMESTIC-MOD. VALVE-LP	
MODELED BY:		J. WEAVER	
THICKNESS:			
C	6" Was 5"	08/29/20	MATERIAL:
B	4" Was 3"	08/29/20	SCALE: 0.281
A	Siemens Mod Sys.	03/27/20	DATE: Apr-01-14
EODH LET		USED ON:	
DESCRIPTION		DATE	
TOLERANCE: DECIMAL ±.010 FRACTION ±1/32 ANGLE ±1° UNLESS OTHERWISE SPECIFIED			

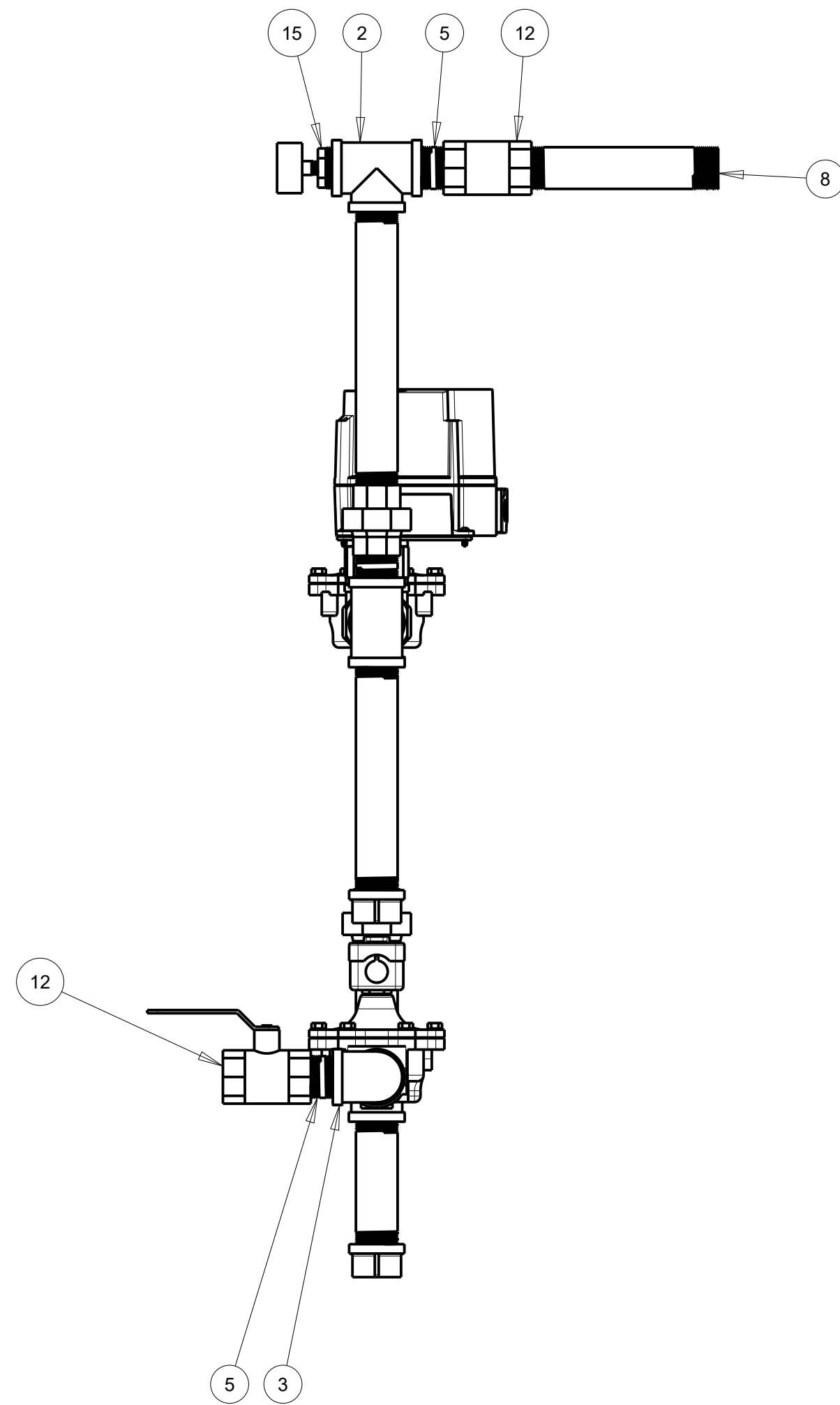
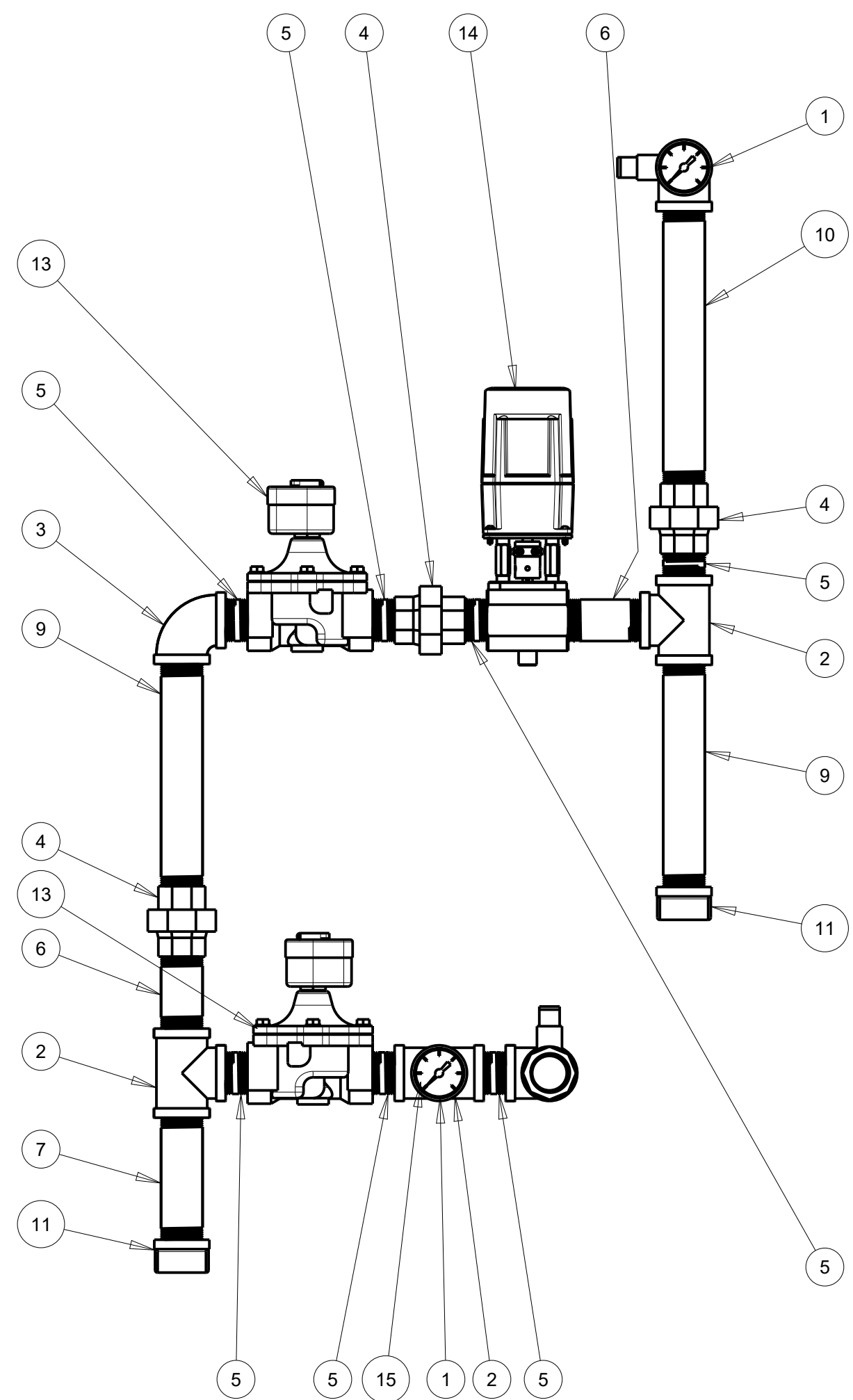
DELUX MFG. CO.
KEARNEY, NE

ITEM	PART NUMBER	QTY	DESCRIPTION
1	017-001033	2	PRESSURE GAUGE - 2-1/4" - 30# MAX
2	020-001105	4	PIPE TEE 2" - SCH 40 - 125# BLACK
3	021-001122	2	PIPE ELBOW 2" - 90° - SCH 40 - 125# BLACK
4	023-001184	3	PIPE UNION 2" - SCH 40 - 125# BLACK
5	024-001256	1	PIPE NIPPLE - 2" X CLOSE - SCH 40 - 125# BLACK
6	024-001257	8	PIPE NIPPLE - 2" X 3" - SCH 40 - 125# BLACK
7	024-001258	1	PIPE NIPPLE 2" X 4" SCH 40 125# BLK
8	024-001259	1	PIPE NIPPLE 2" X 5" SCH 40 125# BLK
9	024-001260	1	PIPE NIPPLE 2" X 6" SCH 40 125# BLK
10	024-001261	1	PIPE NIPPLE - 2" X 8" - SCH 40 - 125# BLACK
11	024-001263	3	PIPE NIPPLE - 2" X 10" - SCH 40 - 125# BLACK
12	025-001284	2	PIPE CAP 2" - SCH 40 - 125# BLACK
13	028-004623	2	2" SOLENOID VALVE - 120V
14	028-005362	2	BALL VALVE - BRASS - 2" - FULL PORT
15	028-012091	1	ACTUATOR/BUTTERFLY- 2", SIEMENS
16	029-007850	2	PIPE REDUCER BUSHING - HEX - 2" TO 1/4"



PART NO.:		400-010744	
DESCRIPTION:		ASS'Y- 2" FUEL TRAIN-NAT. GAS DOMESTIC-ASCO/MOD. VALVE	
MODELED BY:		J. WEAVER	
THICKNESS:			
MATERIAL:			
SCALE:	0.187	DELUX MFG. CO. KEARNEY, NE	
DATE:	Mar-12-14		
ECO#	LET	DESCRIPTION	DATE
		A Siemens Mod Sys.	03/27/20

TOLERANCE: DECIMAL ±.010 FRACTION ±1/32 ANGLE ±1° UNLESS OTHERWISE SPECIFIED

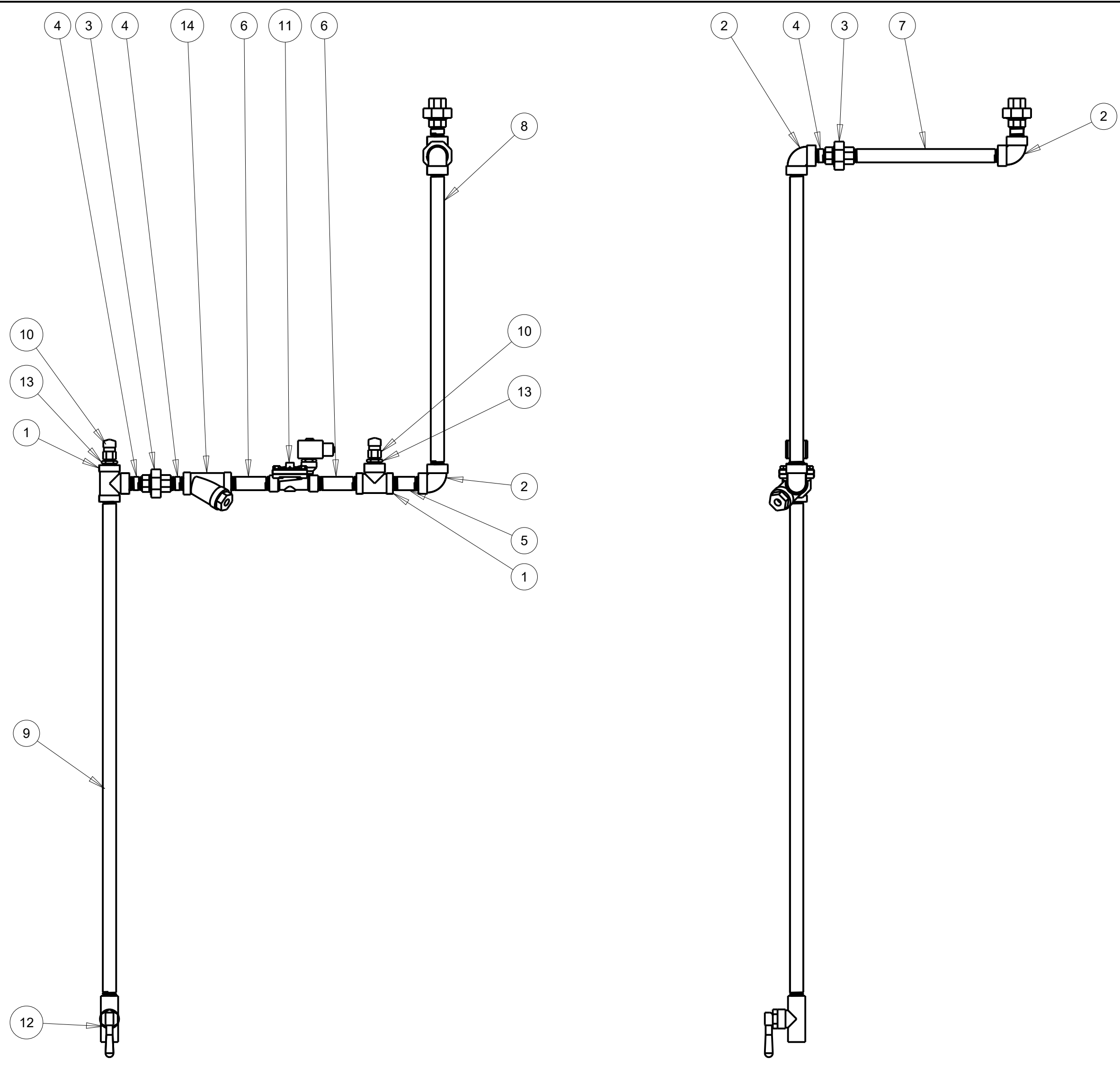


ITEM	PART NUMBER	QTY	DESCRIPTION
1	017-001033	2	PRESSURE GAUGE - 2-1/4" - 30# MAX
2	020-001103	4	PIPE TEE - 1-1/4" - SCH 40 - BLK
3	021-001118	2	PIPE ELBOW 1-1/4" - 90° - SCH 40 - 125# BLACK
4	023-001182	3	PIPE UNION - 1-1/4" - SCH 40 - BLK
5	024-001236	9	PIPE NIPPLE - 1-1/4" X 2" SCH 40 - 125# BLACK
6	024-001238	2	PIPE NIPPLE - 1-1/4" X 4" SCH 40 - 125# BLACK
7	024-001240	1	PIPE NIPPLE - 1-1/4" X 6" SCH 40 - 125# BLACK
8	024-001241	1	PIPE NIPPLE - 1-1/4" X 8" SCH 40 - 125# BLACK
9	024-001243	2	PIPE NIPPLE - 1-1/4" X 10" SCH 40 - 125# BLACK
10	024-001244	1	PIPE NIPPLE - 1-1/4" X 12" SCH 40 - 125# BLACK
11	025-001282	2	PIPE CAP - 1-1/4" - SCH 40 - BLK
12	028-003027	2	BALL VALVE - 1-1/4" - FULL PORT
13	028-003098	2	SOLENOID VALVE 1-1/4" 120V
14	028-012090	1	ACTUATOR/BUTTERFLY- 1 1/4", SIEMENS
15	029-001341	2	HEX REDUCER BUSHING - 1-1/4" TO 1/4"

PART NO.:		400-010801	
DESCRIPTION:		ASS'Y- 1-1/4" FUEL TRAIN-NAT. GAS DOMESTIC-ASCO/MOD. VALVE	
MODELED BY:		J. WEAVER	
THICKNESS:			
MATERIAL:			
SCALE:		0.188	
DATE:		Jun-09-14	
ECO#	LET	DESCRIPTION	DATE
	A	Change modulating to Siemens (Item 14)	01/01/20
USED ON:			

DELUX MFG. CO.
KEARNEY, NE

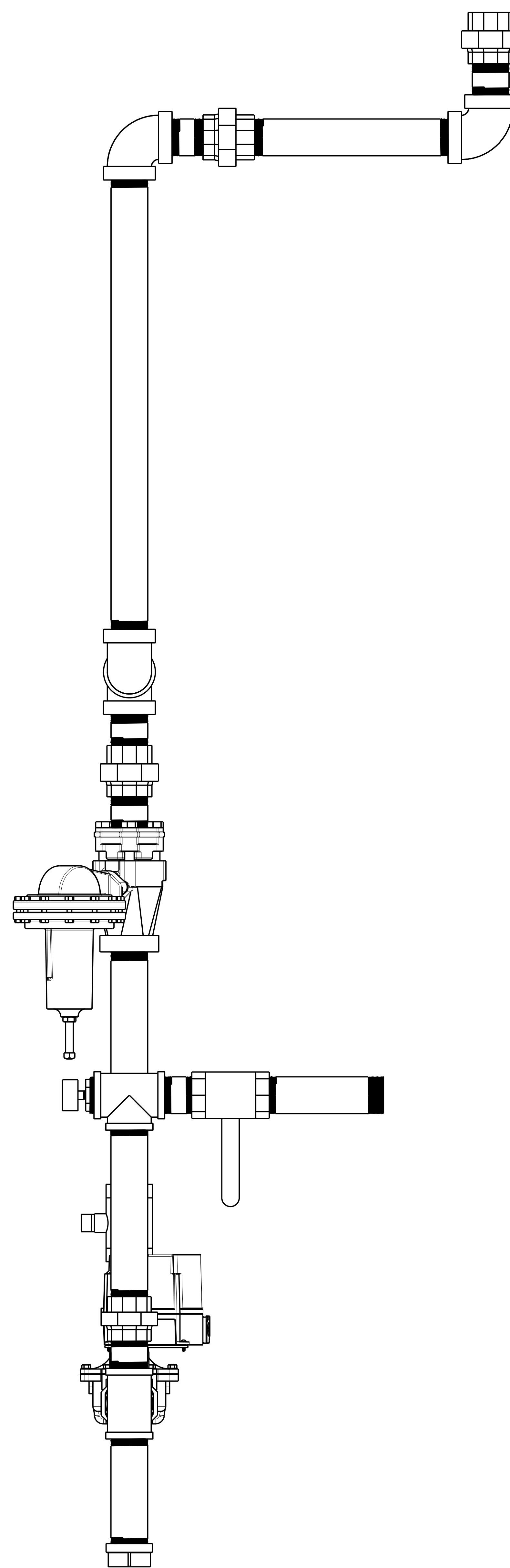
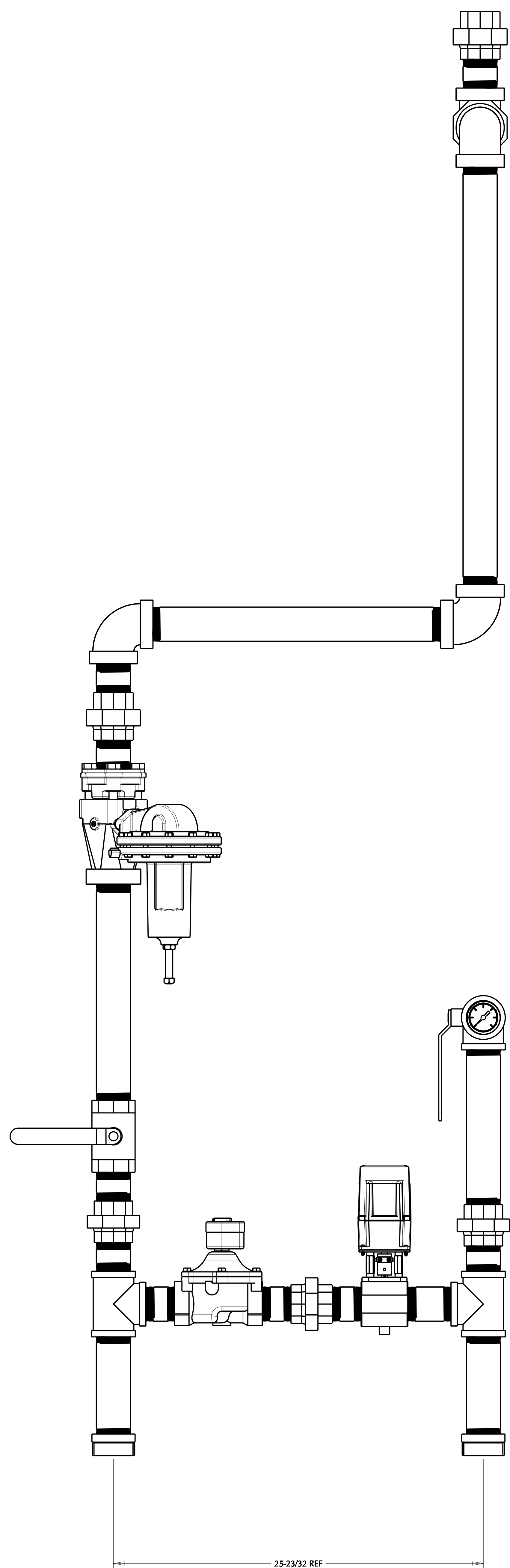
TOLERANCE: DECIMAL ±.010 FRACTION ±1/32 ANGLE ±1° UNLESS OTHERWISE SPECIFIED



ITEM	PART NUMBER	QTY	DESCRIPTION
1	020-005673	2	PIPE TEE - 3/4" - SCH 80
2	021-005674	3	PIPE ELBOW - 3/4" - 90° - SCH 80
3	023-005675	3	PIPE UNION - 3/4" - SCH 80
4	024-005677	4	PIPE NIPPLE 3/4" X 2" SCH 80 300# BLK
5	024-005678	1	PIPE NIPPLE 3/4" X 3" SCH 80 300# BLK
6	024-005679	2	PIPE NIPPLE - 3/4" X 4" - SCH 80
7	027-003251-12500	1	PIPE NIPPLE 3/4" X 12-1/2" SCH 80 300# BLK
8	027-003251-24000	1	PIPE NIPPLE 3/4" X 24" SCH 80 300# BLK
9	027-003251-40000	1	PIPE NIPPLE 3/4" X 40" SCH 80 300# BLK
10	028-003014	2	POP-OFF PRESSURE RELEASE VALVE
11	028-005482	1	3/4" SOLENOID VALVE - 120V
12	028-005529	1	3/4" QUICK ACTING VALVE
13	029-001333	2	HEX REDUCER BUSHING 3/4" X 1/4"
14	031-005485	1	3/4" Y-STRAINER

PART NO.:		400-010746	
DESCRIPTION:		ASS'Y-3/4" FUEL TRAIN-DPX4T-DOMESTIC	
MODELED BY:		J. WEAVER	
THICKNESS:			
MATERIAL:			
SCALE:	0.140	DELUX MFG. CO. KEARNEY, NE	
DATE:	Feb-11-14		
USED ON:			
ECO#	LET	DESCRIPTION	DATE

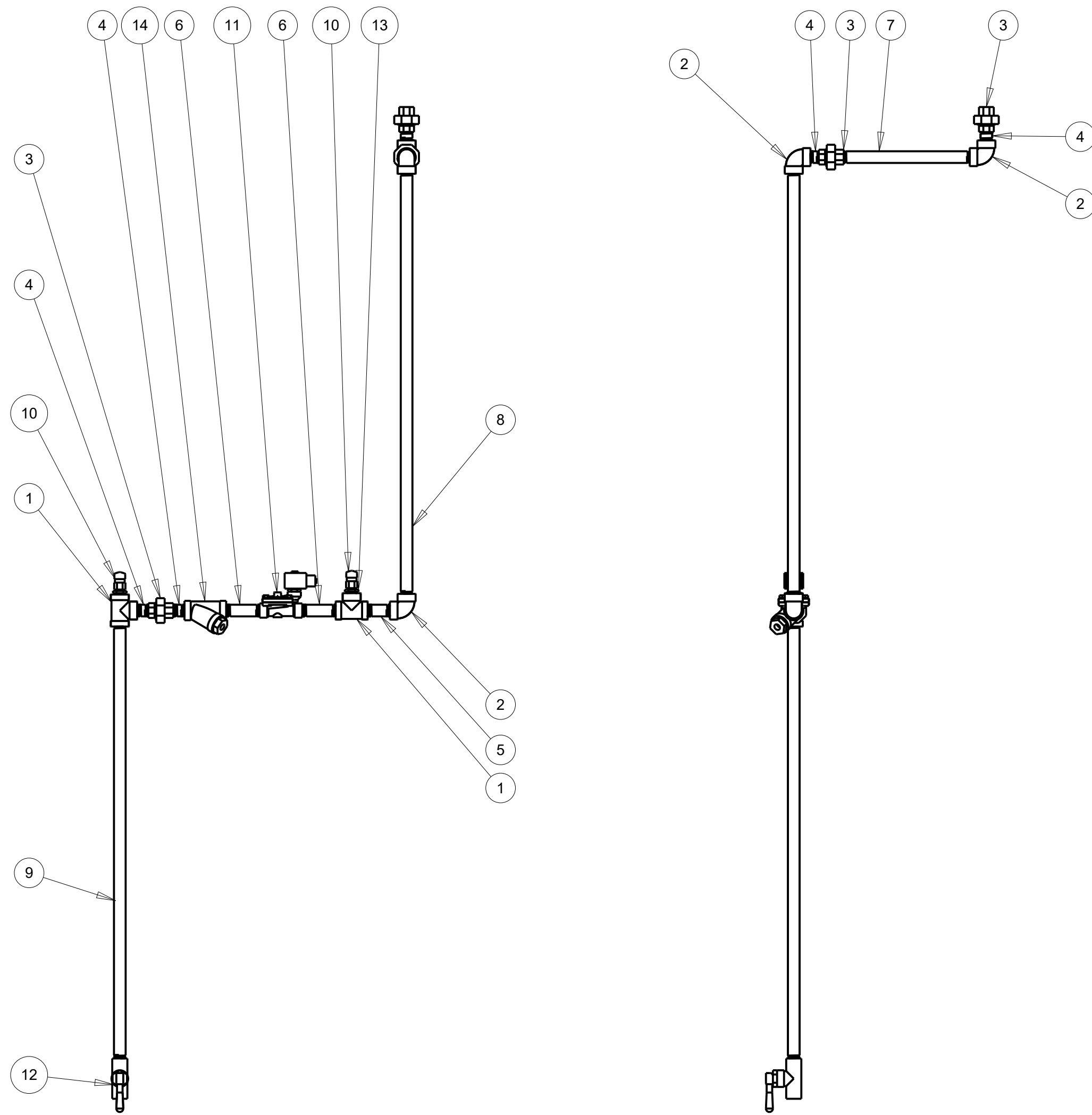
TOLERANCE: DECIMAL ±.010 FRACTION ±1/32 ANGLE ±1° UNLESS OTHERWISE SPECIFIED



ITEM	PART NUMBER	QTY	DESCRIPTION
1	017-001033	1	PRESSURE GAUGE - 2-1/4" - 30# MAX
2	020-001105	3	PIPE TEE 2" - SCH 40 - 125# BLACK
3	021-006309	4	PIPE ELBOW - 2" 90° - SCH 80
4	023-001184	3	PIPE UNION 2" - SCH 40 - 125# BLACK
5	023-006310	3	PIPE UNION 2" - SCH 80 - 300# BLACK
6	024-001257	7	PIPE NIPPLE - 2" X 3" - SCH 40 - 125# BLACK
7	024-001258	1	PIPE NIPPLE 2" X 4" SCH 40 125# BLK
8	024-001261	3	PIPE NIPPLE - 2" X 8" - SCH 40 - 125# BLACK
9	024-001264	1	PIPE NIPPLE - 2" X 12" - SCH 40 - 125# BLACK
10	024-006312	4	PIPE NIPPLE - 2" X 3" - SCH 80 - 300# BLACK
11	025-001284	2	PIPE CAP 2" - SCH 40 - 125# BLACK
12	027-006315-13500	1	PIPE NIPPLE - 2" X 13-1/2" SCH 80
13	027-006315-21000	1	PIPE NIPPLE - 2" X 21" SCH 80
14	027-006315-30000	1	PIPE NIPPLE 2" X 30" SCH 80
15	028-004623	1	2" SOLENOID VALVE - 120V
16	028-005362	2	BALL VALVE - BRASS - 2" - FULL PORT
17	028-006316	1	2" HIGH TEMP PRESSURE REGULATOR - 8-20 PSI
18	028-012091	1	ACTUATOR/BUTTERFLY- 2", SIEMENS
19	029-007850	1	PIPE REDUCER BUSHING - HEX - 2" TO 1/4"
20	100-008964	1	PIPE NIPPLE - 2" X 16" - SCH 40 - 125# BLACK

MASS:	81813642.684	PART NO.:	400-010743
		DESCRIPTION:	ASS'Y- 2" FUEL TRAIN-W/VAP. DOM.-ASCO/MOD. VALVE-DPXAT
		MODELED BY:	J. WEAVER
		THICKNESS:	
		MATERIAL:	
		SCALE:	0.250
		DATE:	Feb-11-14
		USED ON:	
EOD: LET		TOLERANCE: DECIMAL ±.010 FRACTION ±1/32 ANGLE ±1° UNLESS OTHERWISE SPECIFIED	

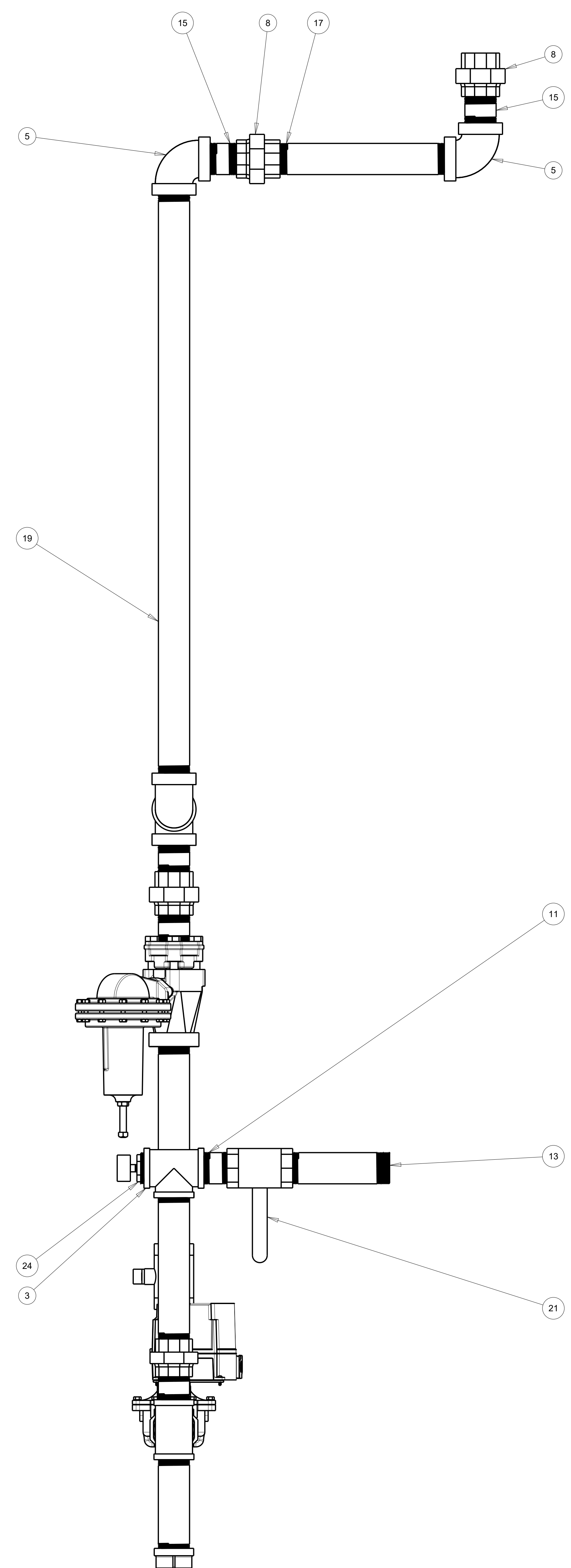
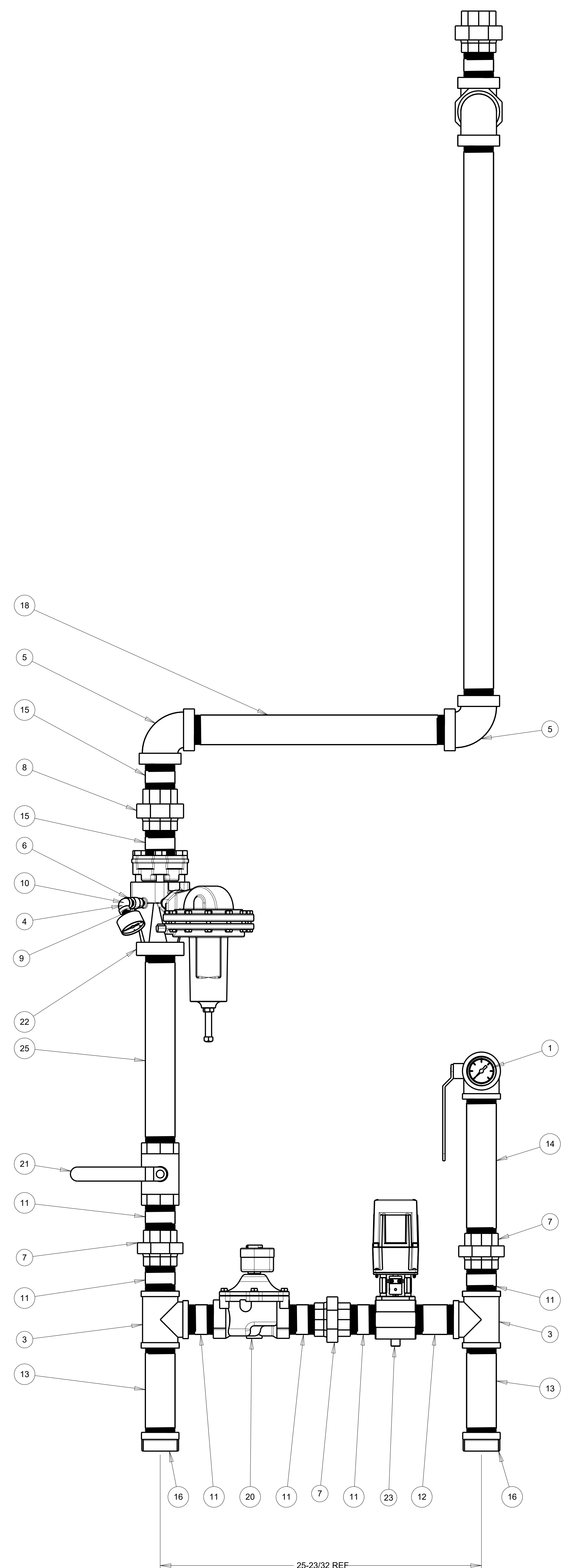
DELUX MFG. CO.
KEARNEY, NE



ITEM	PART NUMBER	QTY	DESCRIPTION
1	020-005673	2	PIPE TEE - 3/4" - SCH 80
2	021-005674	3	PIPE ELBOW - 3/4" - 90° - SCH 80
3	023-005675	3	PIPE UNION - 3/4" - SCH 80
4	024-005677	4	PIPE NIPPLE 3/4" X 2" SCH 80 300# BLK
5	024-005678	1	PIPE NIPPLE 3/4" X 3" SCH 80 300# BLK
6	024-005679	2	PIPE NIPPLE - 3/4" X 4" - SCH 80
7	027-003251-12500	1	PIPE NIPPLE 3/4" X 12-1/2" SCH 80 300# BLK
8	027-003251-39000	1	PIPE NIPPLE 3/4" X 39" SCH 80 300# BLK
9	027-003251-40000	1	PIPE NIPPLE 3/4" X 40" SCH 80 300# BLK
11	028-005482	1	3/4" SOLENOID VALVE - 120V
12	028-005529	1	3/4" QUICK ACTING VALVE
13	029-001333	2	HEX REDUCER BUSHING 3/4" X 1/4"
14	031-005485	1	3/4" Y-STRAINER

PART NO.:		400-010750	
DESCRIPTION:		ASS'Y-3/4" FUEL TRAIN-DPX8T-DOMESTIC	
MODELED BY:		J. WEAVER	
THICKNESS:			
MATERIAL:			
SCALE:	0.109	DELUX MFG. CO. KEARNEY, NE	
DATE:	Feb-13-14		
USED ON:			
ECO#	LET	DESCRIPTION	DATE

TOLERANCE: DECIMAL ±.010 FRACTION ±1/32 ANGLE ±1° UNLESS OTHERWISE SPECIFIED

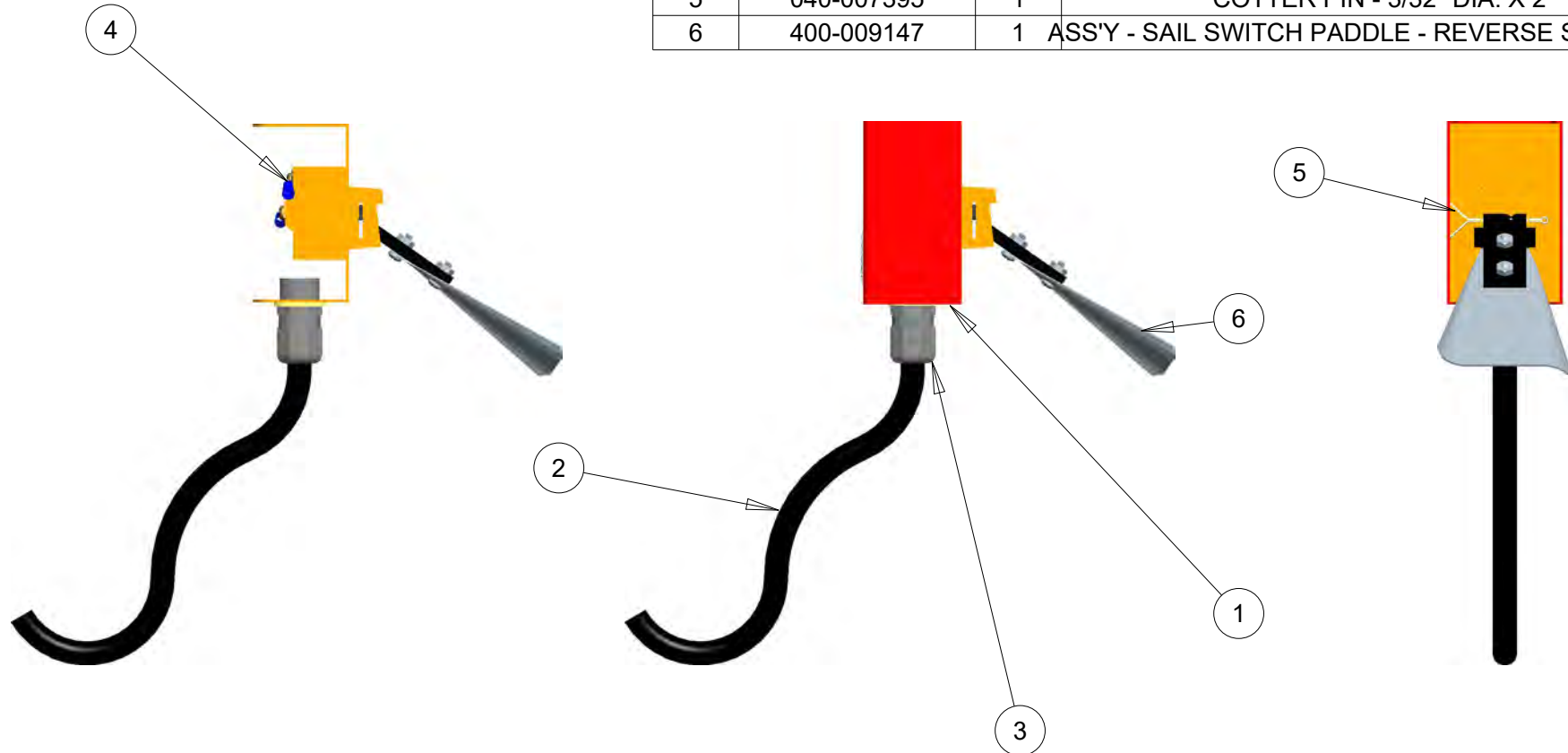


ITEM	PART NUMBER	QTY	DESCRIPTION
1	017-001033	1	PRESSURE GAUGE - 2-1/4" - 30# MAX
2	017-008459	1	PRESSURE GAUGE - 2-1/4" - 60# MAX
3	020-001105	3	PIPE TEE 2" - SCH 40 - 125# BLACK
4	021-001129	1	PIPE ELBOW - 1/4" - SCH 40 - BLK
5	021-006309	4	PIPE ELBOW - 2" 90° - SCH 80
6	022-001150	1	PIPE REDUCER COUPLING - 1/4" TO 1/8"
7	023-001184	3	PIPE UNION 2" - SCH 40 - 125# BLACK
8	023-006310	3	PIPE UNION 2" - SCH 80 - 300# BLACK
9	024-001192	1	PIPE NIPPLE - 1/8" CLOSE - SCH 40 - 125# BLACK
10	024-001195	1	PIPE NIPPLE 1/4 X CLOSE SCH 40 BLK
11	024-001257	7	PIPE NIPPLE - 2" X 3" - SCH 40 - 125# BLACK
12	024-001258	1	PIPE NIPPLE 2" X 4" SCH 40 125# BLK
13	024-001261	3	PIPE NIPPLE - 2" X 8" - SCH 40 - 125# BLACK
14	024-001264	1	PIPE NIPPLE - 2" X 12" SCH 40 - 125# BLACK
15	024-006312	4	PIPE NIPPLE - 2" X 3" - SCH 80 - 300# BLACK
16	025-001284	2	PIPE CAP 2" - SCH 40 - 125# BLACK
17	027-006315-13500	1	PIPE NIPPLE - 2" X 13-1/2" SCH 80
18	027-006315-21000	1	PIPE NIPPLE - 2" X 21" SCH 80
19	027-006315-45000	1	PIPE NIPPLE - 2" X 45" SCH 80
20	028-004623	1	2" SOLENOID VALVE - 120V
21	028-005362	2	BALL VALVE - BRASS - 2" - FULL PORT
22	028-006316	1	2" HIGH TEMP PRESSURE REGULATOR - 8-20 PSI
23	028-012091	1	ACTUATOR/BUTTERFLY- 2", SIEMENS
24	029-007850	1	PIPE REDUCER BUSHING - HEX - 2" TO 1/4"
25	100-008964	1	PIPE NIPPLE - 2" X 16" - SCH 40 - 125# BLACK

PART NO.:		400-010749	
DESCRIPTION:		ASS'Y 2" FUEL TRAIN-W/VAP. DOM.-ASCO/MOD. VALVE-DPX&T	
MODELED BY:		J. WEAVER	
THICKNESS:			
MATERIAL:			
SCALE:		0.218	
DATE:		Feb-13-14	
USED ON:			
TOLERANCE:		DECIMAL ±.010 FRACTION ±1/32 ANGLE ±1° UNLESS OTHERWISE SPECIFIED	
A Siemens Mod Sys. 03/27/20		DELUX MFG. CO. KEARNEY, NE	
ECON LET DESCRIPTION DATE			

ITEM	PART NUMBER	QTY	DESCRIPTION
1	009-005213	1	FAN SAIL SENSOR SWITCH - HONEYWELL #S437A
2	012-003174-50000	1	WIRE - 16/2 SJOW CORD - 50"
3	016-000976	1	CORD CONNECTOR - 1/2" PLASTIC
4	016-001013	2	INSULATED FORK TERMINAL - 14-16 AWG - #8 STUD
5	040-007395	1	COTTER PIN - 3/32" DIA. X 2"
6	400-009147	1	ASS'Y - SAIL SWITCH PADDLE - REVERSE SOLID ALUM.

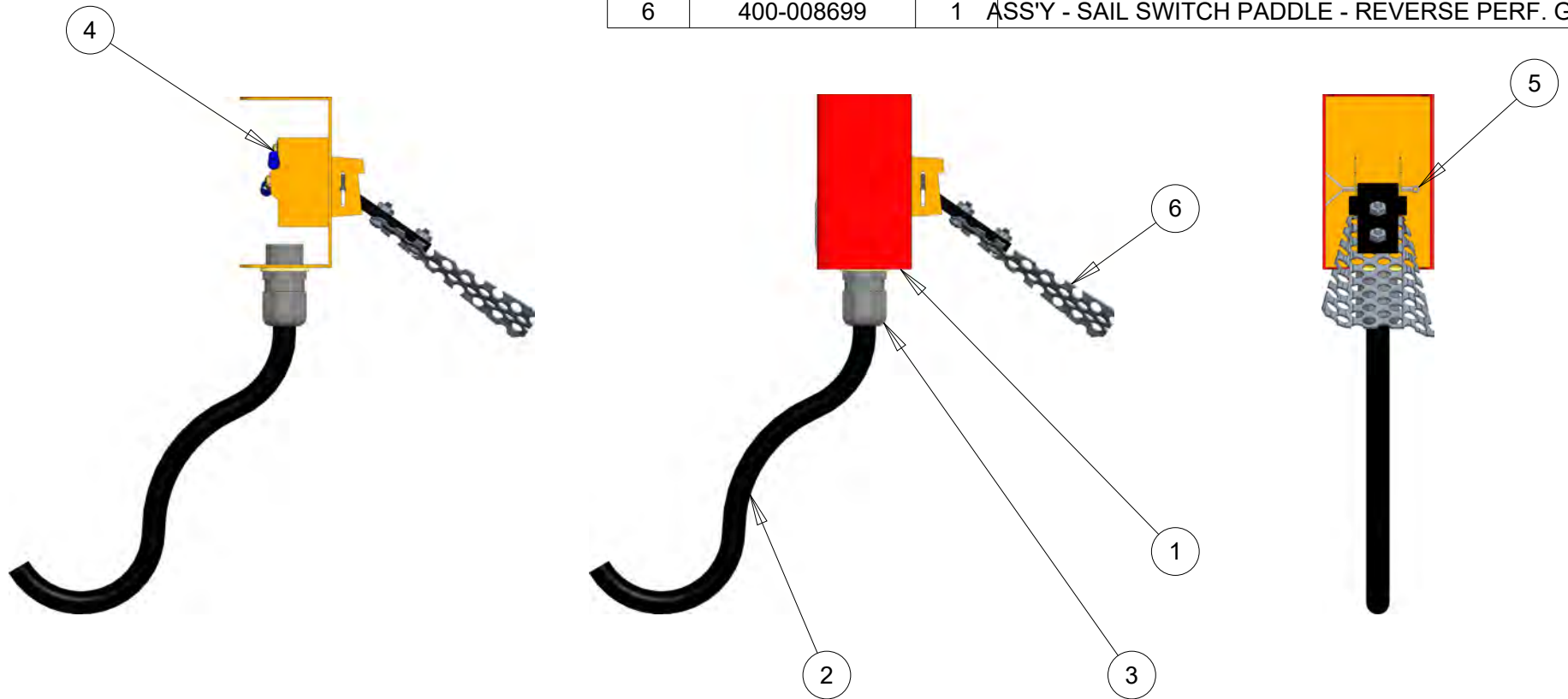
TOP TERMINAL TO WHITE WIRE
 BOTTOM TERMINAL TO BLACK WIRE



				DRAWN BY JGW	DELUX MFG. CO. KEARNEY, NE		TITLE: SAIL SWITCH SENSOR ASS'Y GREENHECK & BEHLEN FANS SOLID ALUM. (REVERSE)
				DATE 07/07/11			
				CHK'D	USED ON:		DRAWING NO. 400-009148
					NEXT ASS'Y:		
				SCALE .281	MATL.	SHEAR SIZE	
ECO#	LET	DESCRIPTION	DATE				

ITEM	PART NUMBER	QTY	DESCRIPTION
1	009-005213	1	FAN SAIL SENSOR SWITCH - HONEYWELL #S437A
2	012-003174-60000	1	WIRE - 16/2 SJOW CORD - 60"
3	016-000976	1	CORD CONNECTOR - 1/2" PLASTIC
4	016-001013	2	INSULATED FORK TERMINAL - 14-16 AWG - #8 STUD
5	040-007395	1	COTTER PIN - 3/32" DIA. X 2"
6	400-008699	1	ASS'Y - SAIL SWITCH PADDLE - REVERSE PERF. GALV.

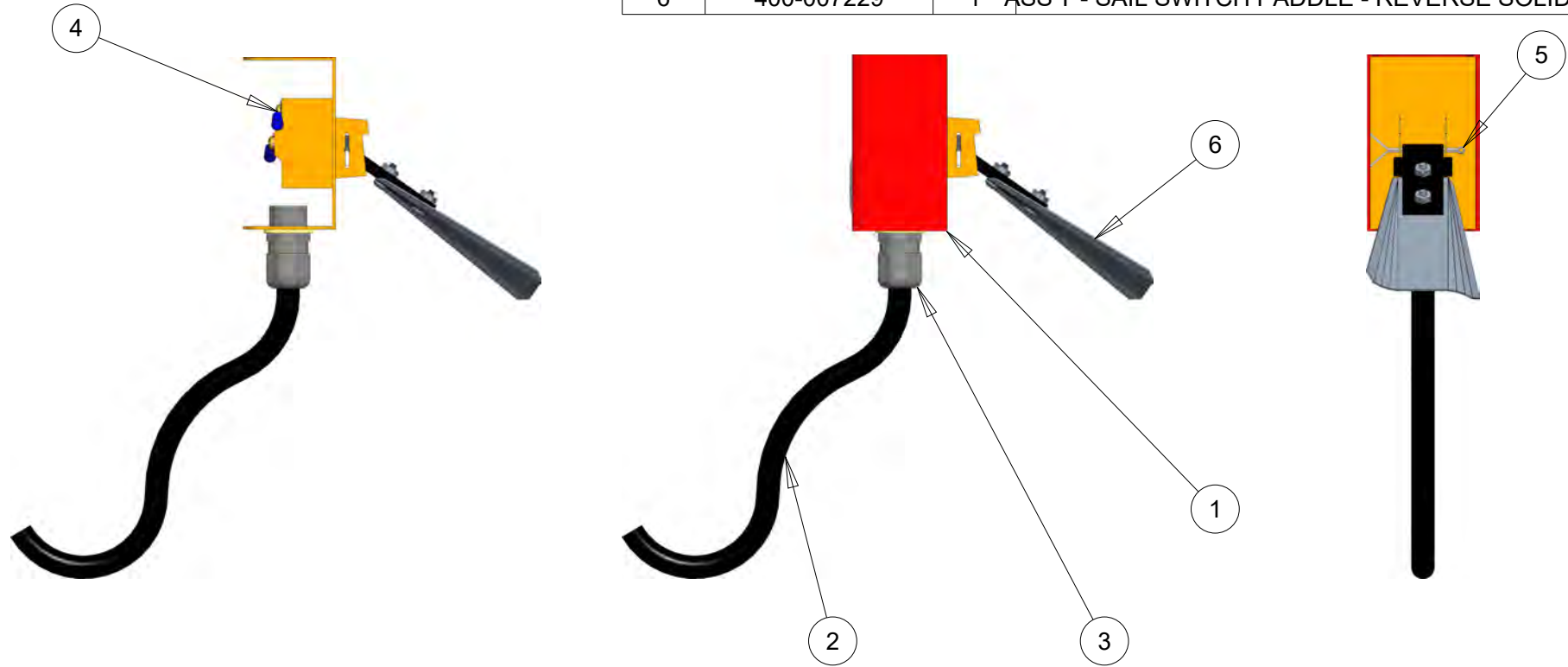
TOP TERMINAL TO WHITE WIRE
 BOTTOM TERMINAL TO BLACK WIRE



				DRAWN BY JGW	DELUX MFG. CO. KEARNEY, NE	TITLE: SAIL SWITCH SENSOR ASS'Y GREENHECK & BEHLEN FANS PERF. GALV. (REVERSE)	
				DATE 07/07/11		USED ON:	
				CHK'D	NEXT ASS'Y:		
				SCALE .281	MATL.	SHEAR SIZE	DRAWING NO. 400-008700
ECO#	LET	DESCRIPTION	DATE				

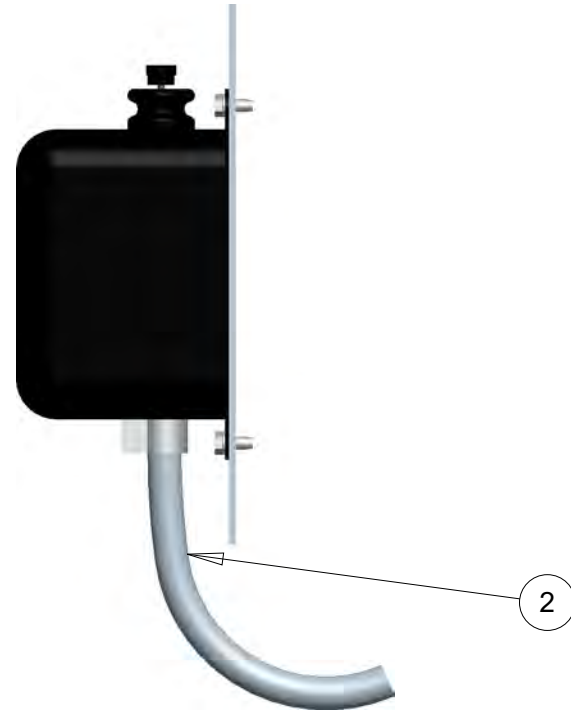
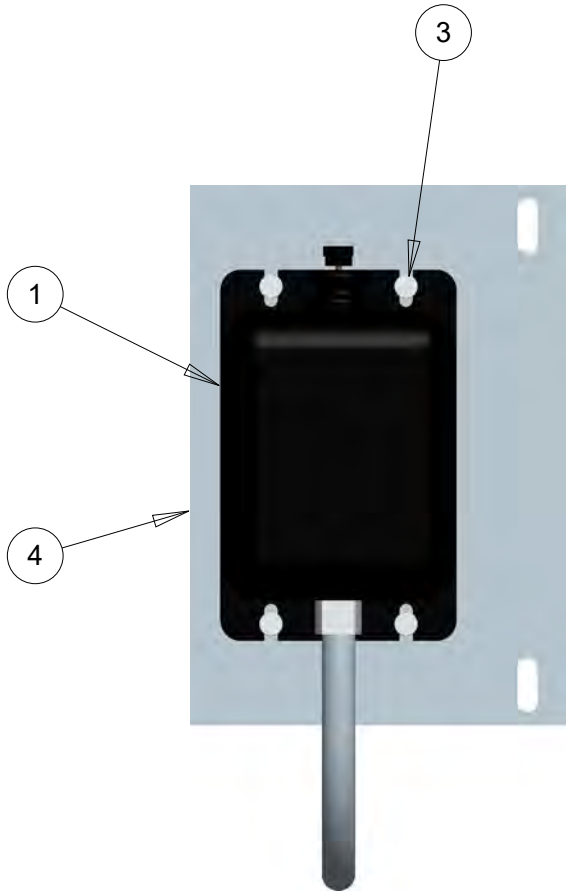
ITEM	PART NUMBER	QTY	DESCRIPTION
1	009-005213	1	FAN SAIL SENSOR SWITCH - HONEYWELL #S437A
2	012-003174-60000	1	WIRE - 16/2 SJOW CORD - 60"
3	016-000976	1	CORD CONNECTOR - 1/2" PLASTIC
4	016-001013	2	INSULATED FORK TERMINAL - 14-16 AWG - #8 STUD
5	040-007395	1	COTTER PIN - 3/32" DIA. X 2"
6	400-007229	1	ASS'Y - SAIL SWITCH PADDLE - REVERSE SOLID GALV.

TOP TERMINAL TO WHITE WIRE
 BOTTOM TERMINAL TO BLACK WIRE

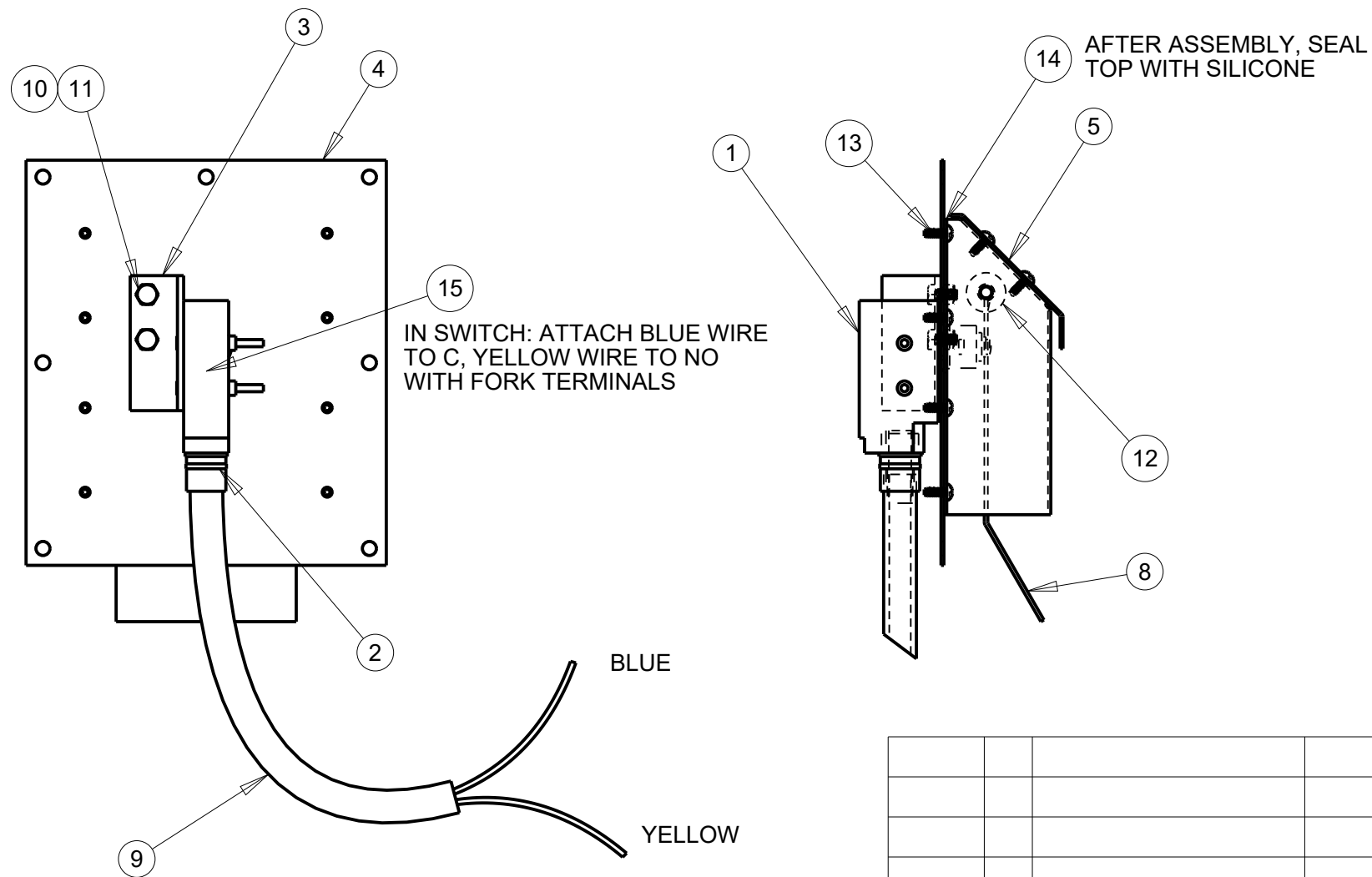
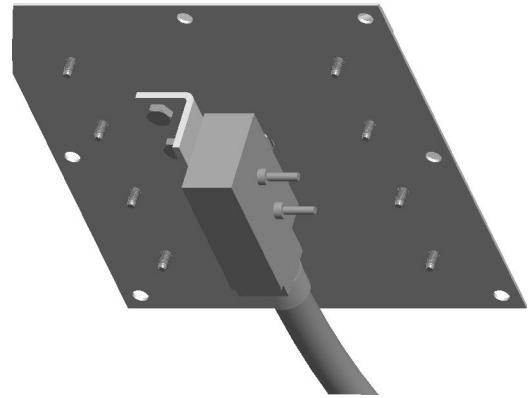


				DRAWN BY JGW	DELUX MFG. CO. KEARNEY, NE	TITLE:
				DATE 07/06/11		SAIL SWITCH SENSOR ASS'Y GREENHECK & BEHLEN FANS SOLID GALV. (REVERSE)
				CHK'D	USED ON:	
					NEXT ASS'Y:	
				SCALE .281	MATL.	DRAWING NO. 400-007230
					SHEAR SIZE	

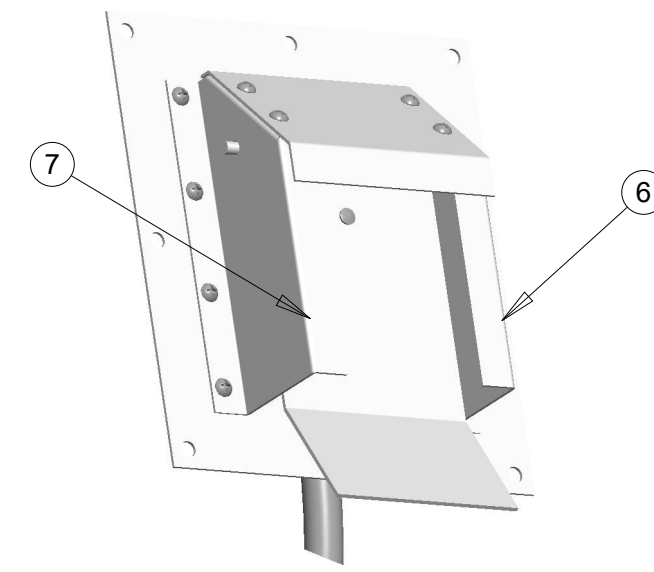
ITEM	PART NUMBER	QTY	DESCRIPTION
1	008-000755	1	IGNITION TRANSFORMER - 6000V
2	011-000802-20000	1	CONDUIT - FLEXIBLE METAL 3/8"
3	040-001449	4	SCREW - TCS - HEX - 1/4-20UNC X 1/2"
4	100-005344	1	MOUNT PLATE - IGNITION TRANSFORMER



				DRAWN BY JGW	DELUX MFG. CO. KEARNEY, NE	TITLE: IGNITION TRANSFORMER ASS'Y WITH MOUNT PLATE
				DATE 07/14/11		
				CHK'D	USED ON:	DRAWING NO. 400-008955
					NEXT ASS'Y:	
				SCALE .281	MATL.	
					SHEAR SIZE	
ECO#	LET	DESCRIPTION	DATE			

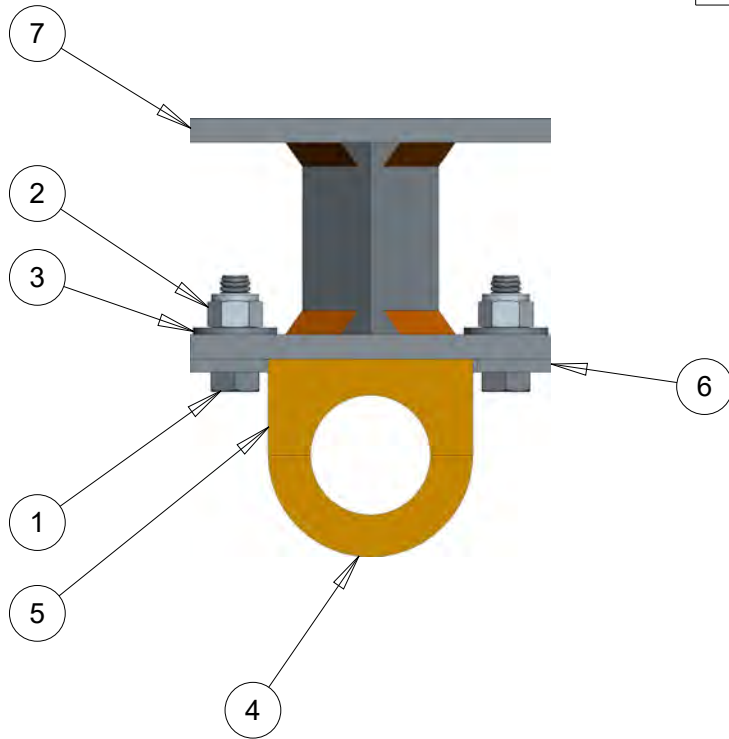


ITEM	PART NUMBER	QTY	DESCRIPTION
1	010-003386	1	ENCLOSED LIMIT SWITCH-SEALED-PLUNGER ACTUATOR
2	016-000877	1	SEALTITE CONNECTOR - 1/2" STRAIGHT
3	100-003374	1	MOUNTING BRACKET - MICRO SWITCH
4	100-003421	1	MAIN MOUNT PLATE - LOW GRAIN SHUTDOWN
5	100-003423	1	COVER PLATE - LOW GRAIN SHUTDOWN
6	100-003424	1	SIDE - RIGHT - LOW GRAIN SHUTDOWN
7	100-003425	1	SIDE - LEFT - LOW GRAIN SHUTDOWN
8	200-003428	1	WELD ASS'Y - PADDLE - LOW GRAIN SHUTDOWN
9	011-000786	1	1/2" LIQUIDTITE - 31"
10	040-002889	2	BOLT, HEX 1/4-20UNC X 1/2
11	040-003266	2	NUT, HEX NYLON LOCK, 1/4-20UNC
12	042-001495	2	WASHER, FLAT 5/16" USS
13	040-001452	12	SCREW, TCS PAN HEAD #10-32UNF X 1/2
14	040-001919	.08	ADHESIVE/SEALANT CLEAR SILICONE
15	016-001013	2	INSULATED FORK TERMINAL #8, 16-14 AWG
16	012-004242	4FT	WIRE - 16GA. - MTW - BLUE
17	012-004240	4FT	WIRE - 16GA. - MTW - YELLOW



				DRAWN BY MEL	DELUX MFG. CO. KEARNEY, NE		TITLE: LOW GRAIN SHUTDOWN & CABLE STD. & G2 FRONT/REAR (2016+)	
				DATE 07/13/17				
				CHK'D	USED ON:		DRAWING NO. 400-011014	
					NEXT ASS'Y:			
				SCALE .281	MATL.	SHEAR SIZE		
ECO#	LET	DESCRIPTION	DATE	TOLERANCE: DECIMAL ±.010 FRACTION ±1/32 ANGLE ±1° UNLESS OTHERWISE SPECIFIED				

ITEM	PART NUMBER	QTY	DESCRIPTION
1	040-001436	2	BOLT HEX 5/16-18UNC X 1 ZINC GR 5
2	040-004068	2	NUT LOCK HEX NYLON-5/16 18UNC ZINC
3	042-001495	2	WASHER FLAT-5/16" USS, ZINC 3/8 ID X 7/8 OD
4	044-006713	1	BEARING BOTTOM - 1-1/4" (HALF MOON) WOOD
5	044-006714	1	BEARING TOP - 1-1/4" (FLAT) WOOD
6	044-006715	1	SADDLE - 1-1/4" SPLIT WOOD BEARING
7	200-007322	1	W. A. - HANGER BRCKT-DISCH. AUGER - 1-1/4" SHAFT

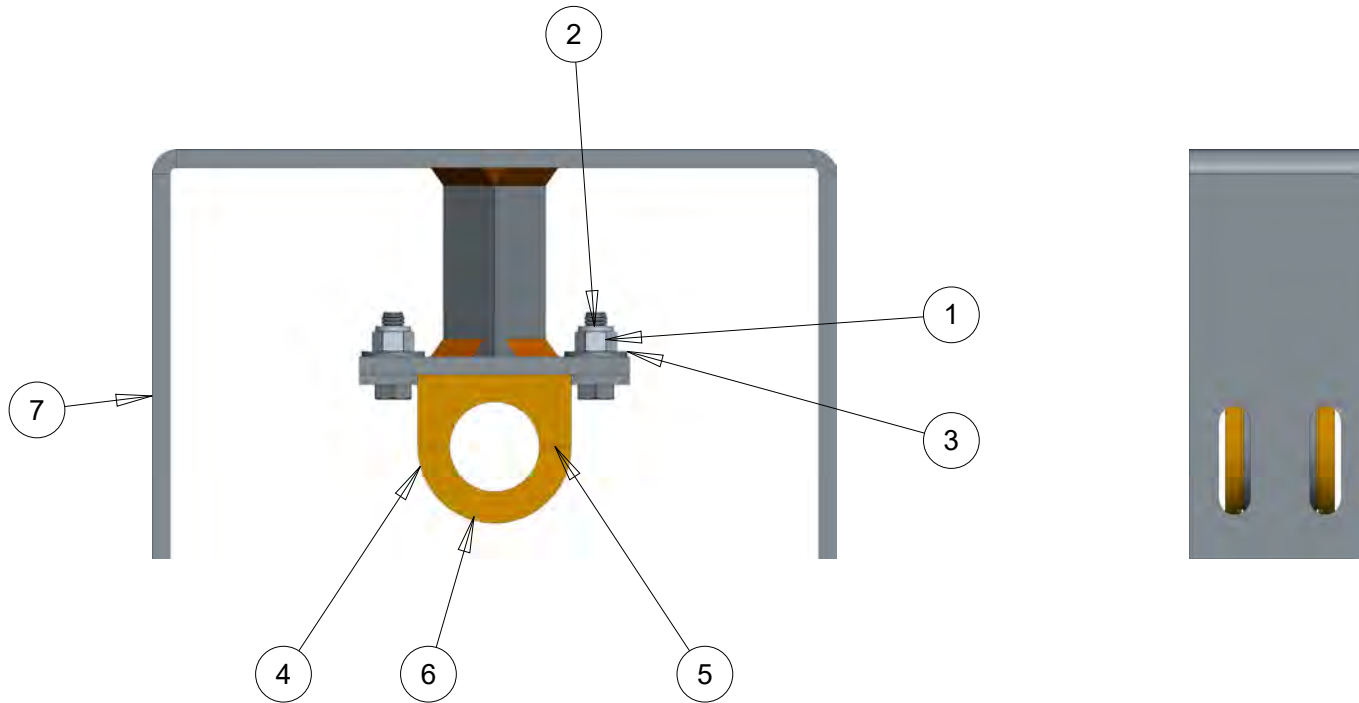


REFERENCE VIEW

				PART NO.:	400-006852
				DESCRIPTION:	ASS'Y-SUP. HANGER-DISCH. AUGER - 1-1/4" SHAFT
				MODELED BY:	
				THICKNESS:	NONE
				MATERIAL:	
				SCALE:	0.500
				DATE:	Dec-18-12
ECO#	LET	DESCRIPTION	DATE	USED ON:	

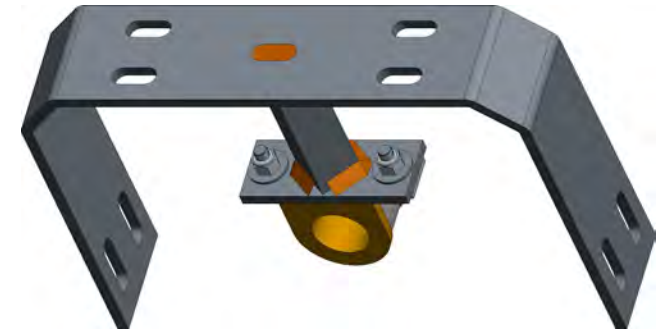
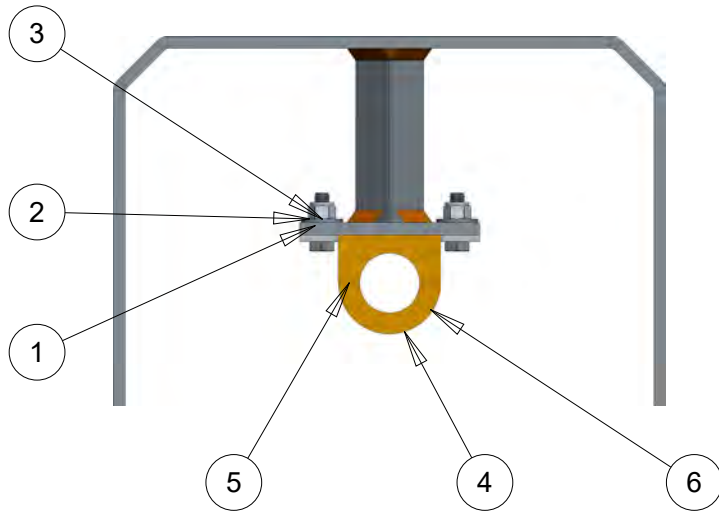
DELUX MFG. CO.
KEARNEY, NE

ITEM	PART NUMBER	QTY	DESCRIPTION
1	040-001436	2	BOLT HEX 5/16-18UNC X 1 ZINC GR 5
2	040-004068	2	NUT LOCK HEX NYLON-5/16 18UNC ZINC
3	042-001495	2	WASHER FLAT-5/16" USS, ZINC 3/8 ID X 7/8 OD
4	044-006713	1	BEARING BOTTOM - 1-1/4" (HALF MOON) WOOD
5	044-006714	1	BEARING TOP - 1-1/4" (FLAT) WOOD
6	044-006715	1	SADDLE - 1-1/4" SPLIT WOOD BEARING
7	200-007319	1	WELD. ASS'Y-HANGER BRACKET-LEV 1 1/4" 8" AUGER

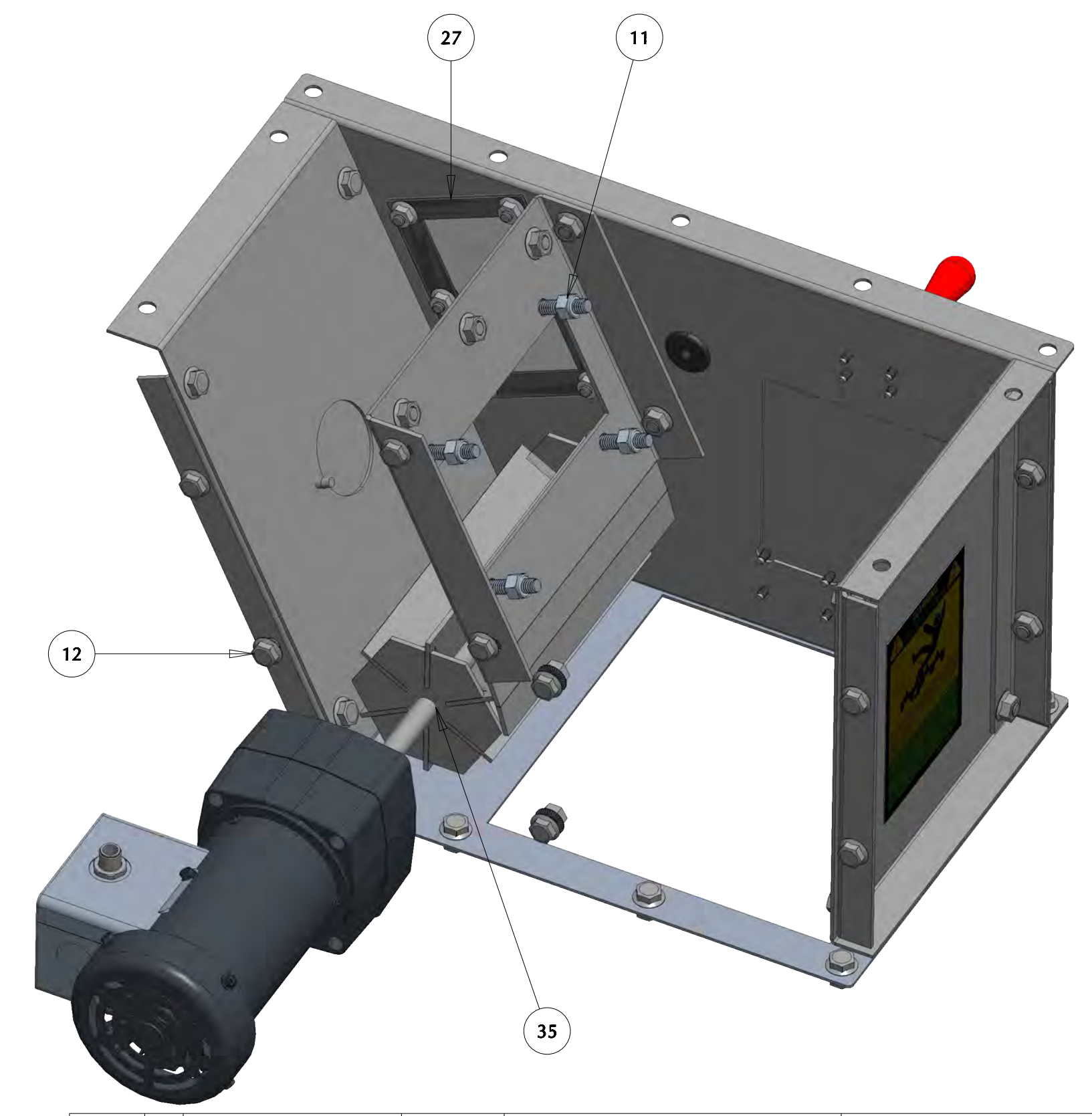
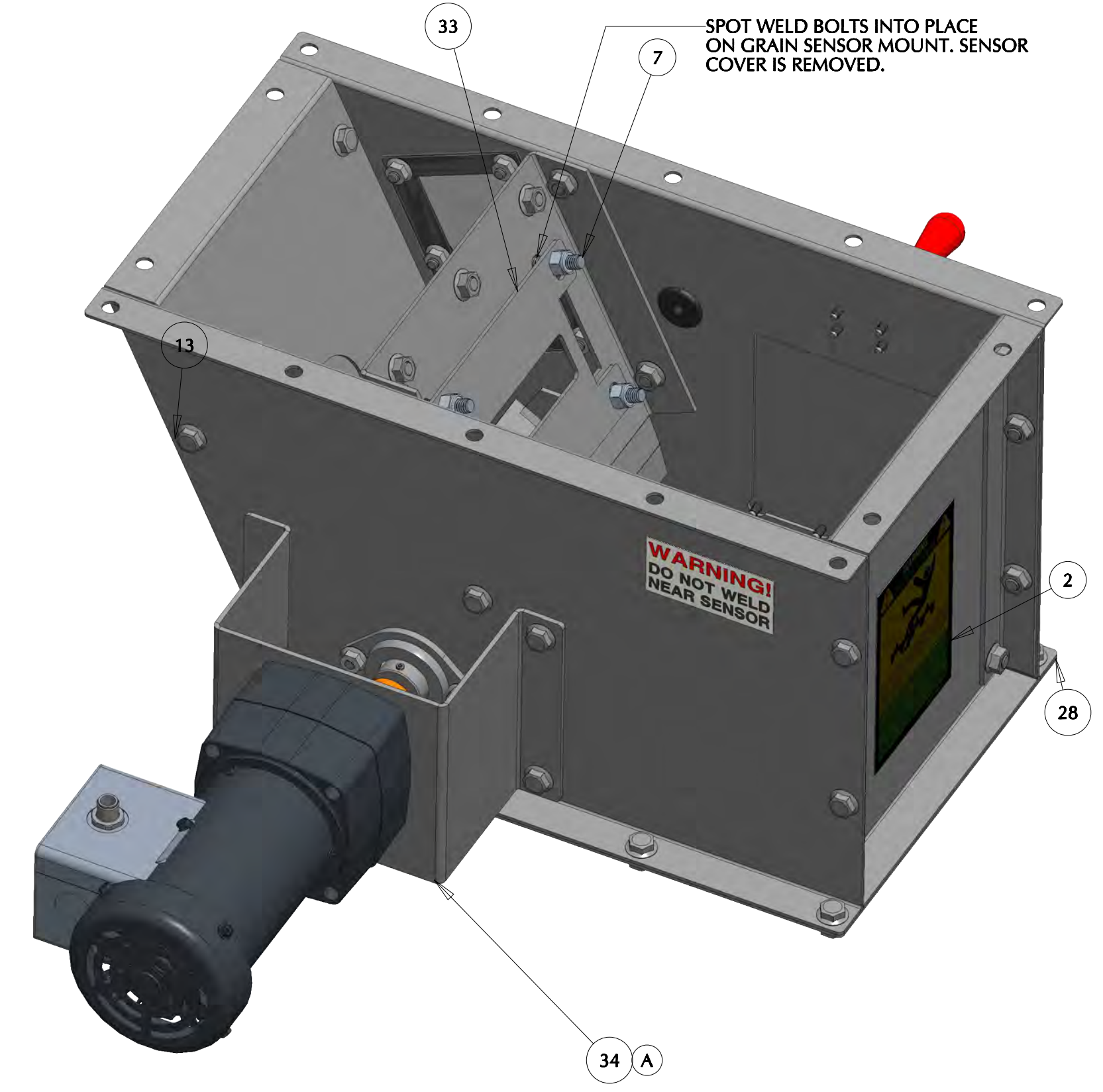
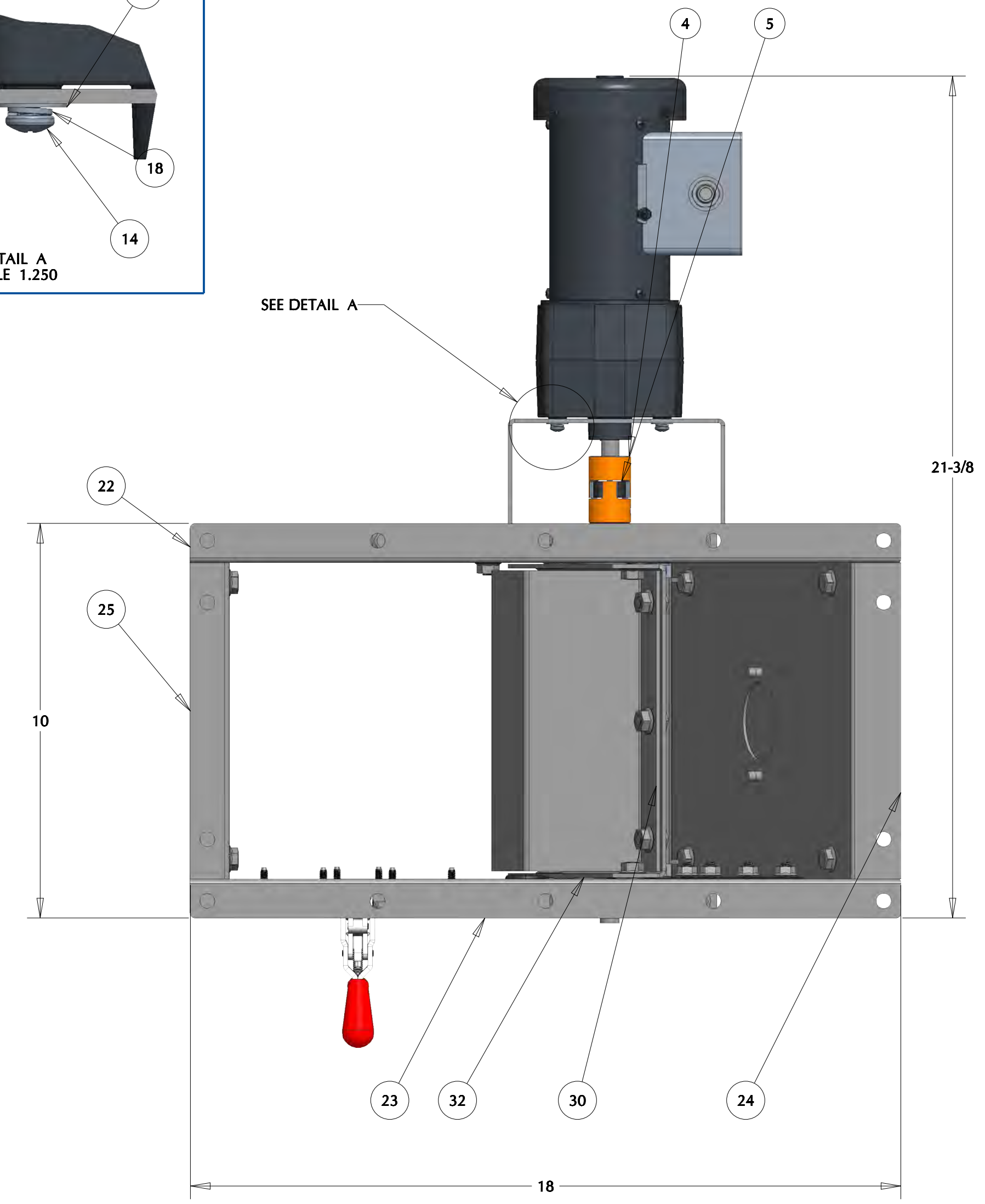
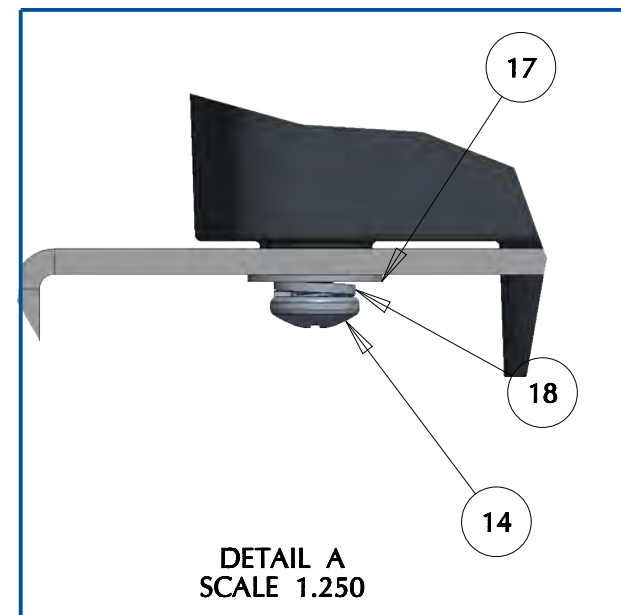
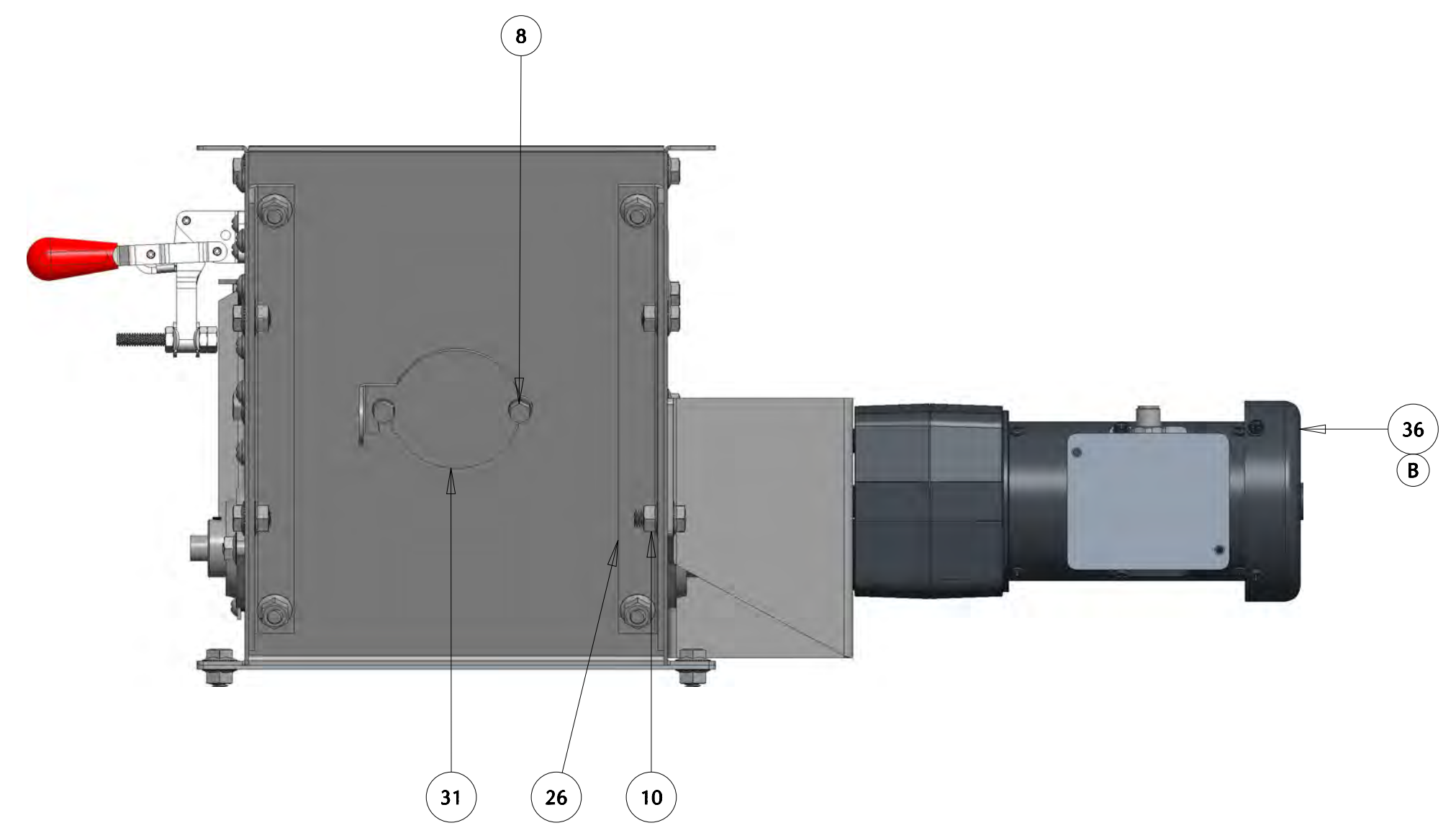
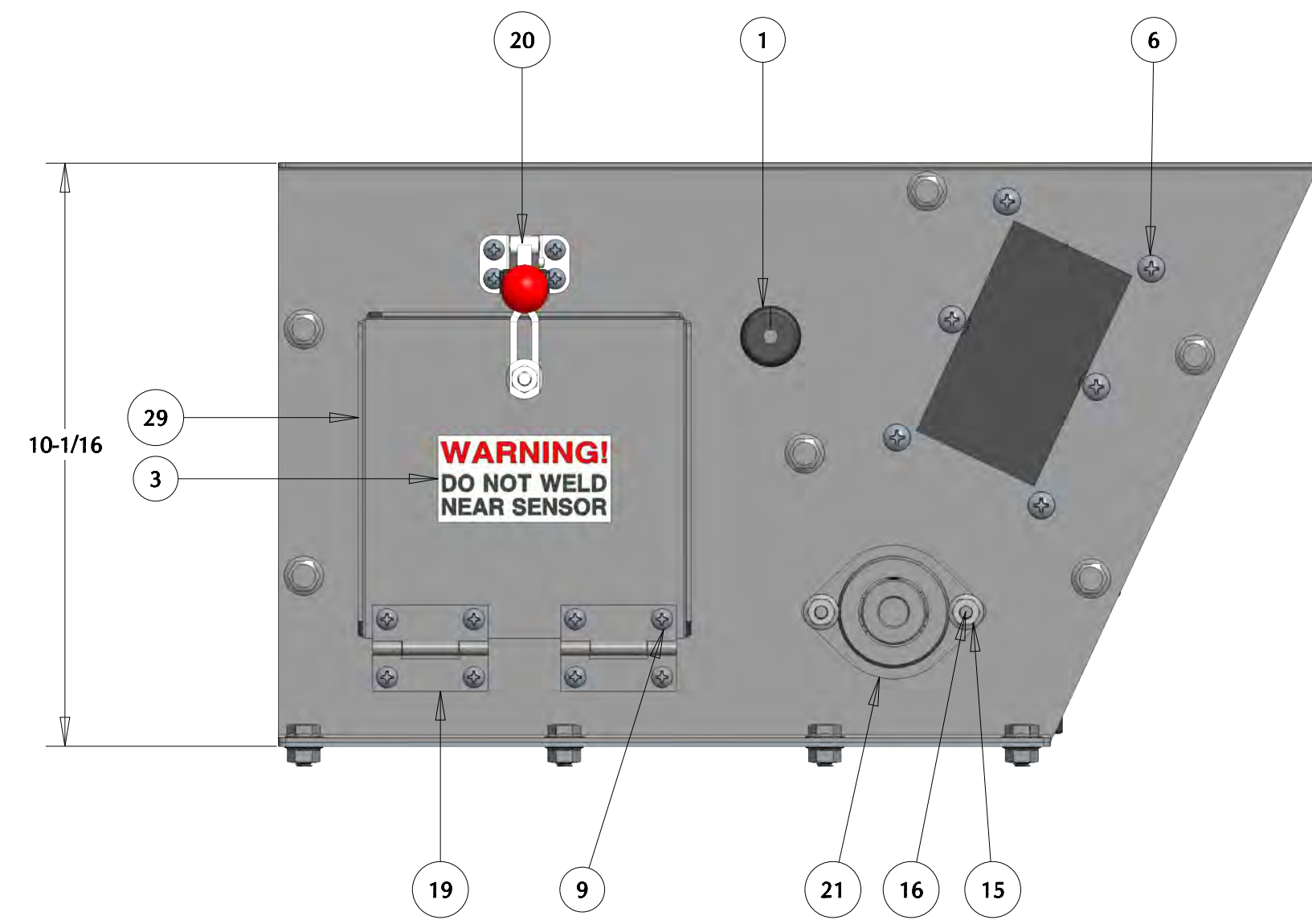


				PART NO.:	400-006827
				DESCRIPTION:	ASS'Y LEV AUGER SUPPORT HANGER 8" AUGER X 1.25"
				MODELED BY:	J. WEAVER
				THICKNESS:	
				MATERIAL:	
				SCALE:	0.375
				DATE:	Mar-20-13
ECO#	LET	DESCRIPTION	DATE	USED ON:	DELUX MFG. CO. KEARNEY, NE

ITEM	PART NUMBER	QTY	DESCRIPTION
1	040-001436	2	BOLT HEX 5/16-18UNC X 1 ZINC GR 5
2	040-004068	2	NUT LOCK HEX NYLON-5/16 18UNC ZINC
3	042-001495	2	WASHER FLAT-5/16" USS, ZINC 3/8 ID X 7/8 OD
4	044-006713	1	BEARING BOTTOM - 1-1/4" (HALF MOON) WOOD
5	044-006714	1	BEARING TOP - 1-1/4" (FLAT) WOOD
6	044-006715	1	SADDLE - 1-1/4" SPLIT WOOD BEARING
7	200-007320	1	WELD ASS'Y-HANGER BRACKET-LEV 1 1/4" -10" AUGER



				PART NO.:	400-006829
				DESCRIPTION:	ASS'Y-LEV AUGER SUPPORT HANGER 10" AUGER X 1.25"
				MODELED BY:	J. WEAVER
				THICKNESS:	
				MATERIAL:	
				SCALE:	0.250
				DATE:	Mar-14-13
ECO#	LET	DESCRIPTION	DATE	USED ON:	DELUX MFG. CO. KEARNEY, NE



ITEM	PART NUMBER	QTY	DESCRIPTION	
1	016-010150	1	SPLIT GROMMET - .281 ID X 1.125 OD - .078 WALL	
2	018-004744	1	LABEL - LOCK OUT POWER - AUGER	
3	018-010144	2	LABEL - DO NOT WELD NEAR SENSOR	
4	036-010094	2	HUB - FLEX SPIDER COUPLING - 1/2" BORE	
5	036-010095	1	FLEX SHAFT SPIDER COUPLING - 1-5/64 O.D.	
6	040-001432	6	BOLT - RNDHD - PHIL - 1/4-20UNC X 1/2"	
7	040-001437	4	BOLT - HEX - 5/16-18UNC X 1-1/4"	
8	040-001449	2	SCREW - TCS - HEX - 1/4-20UNC X 1/2"	
9	040-001452	12	SCREW - TCS - RNDHD - PHIL - 10-32 X 1/2"	
10	040-001459	33	NUT - WHIZ LOCK - 5/16-18UNC	
11	040-004068	4	NUT LOCK HEX NYLON-5/16 18UNC ZINC	
12	040-005321	1	BOLT - WHIZ LOCK - 5/16-18UNC X 3/4"	
13	040-006791	32	BOLT - WHIZ LOCK - 5/16-18UNC X 1/2"	
14	040-006839	4	SCREW PHHD PHIL #10-32UNF X1/2	
15	040-007708	10	NUT LOCK FLANGE 1/4-20UNC ZINC	
16	040-010141	4	BOLT - WHIZ LOCK - 1/4-20UNC X 1/2"	
17	042-005726	4	WASHER FLAT-#10 USS, ZINC 1/4 ID X 9/16 OD	
18	042-007272	4	WASHER, SPLIT LOCK-#10 ZINC	
19	043-001507	2	2" BUTT HINGE - TWO HOLE	
20	043-010097	1	TOGGLE CLAMP - OPEN ARM - 110-200# CAP.	
21	044-010096	2	BEARING - MOUNTED 2-BOLT FLANGE - 1/2" SHAFT	
22	100-010119	1	SIDE - RIGHT - GRAIN SAMPLER ASSY - MLNK	
23	100-010120	1	SIDE - LEFT - GRAIN SAMPLER ASSY - MLNK	
24	100-010121	1	SIDE - BACK - GRAIN SAMPLER ASSY - MLNK	
25	100-010122	1	SIDE - FRONT - GRAIN SAMPLER ASSY - MLNK	
26	100-010123	4	ANGLE - MOUNT - GRAIN SAMPLER ASSY - MLNK	
27	100-010124	1	WINDOW - GRAIN SAMPLER ASSY - MLNK	
28	100-010129	1	SIDE - BOTTOM - GRAIN SAMPLER ASSY - MLNK	
29	100-010130	1	DOOR - INSPECTION - GRAIN SAMPLER ASSY - MLNK	
30	100-010131	1	COVER - SENSOR - GRAIN SAMPLER ASSY - MLNK	
31	100-010132	1	DOOR - SAMPLE - GRAIN SAMPLER ASSY - MLNK	
32	100-010134	1	MOUNT - SENSOR - GRAIN SAMPLER ASSY - MLNK	
33	100-010139	1	COMP. PLATE - SENSOR - GRAIN SAMP. ASSY - MLNK	
A	34	100-010865	1	MOUNT-RIGHT-GEARMOTOR-PARALLEL-MLNK SAMPLER
35	200-010128	1	W.A. - ROLLER - GRAIN SAMPLER ASSY - MLNK	
B	36	400-012047	1	ASSY - GEARMOTOR - SAMPLER - MOISTURELINK

PART NO.:		400-010113	
DESCRIPTION:		SENSOR BY-PASS CHUTE - MOISTURELINK	
MODELED BY:		J. WEAVER	
THICKNESS:			
MATERIAL:			
B	OLD PART NO. WAS 004-010099	11/05/14	SCALE: 0.375
A	OLD PART NO. WAS 100-010125	11/05/14	DATE: Nov-05-14
ECO#	LET	DESCRIPTION	DATE
TOLERANCE: DECIMAL ±.010 FRACTION ±1/32 ANGLE ±1° UNLESS OTHERWISE SPECIFIED			

DELUX MFG. CO.
KEARNEY, NE

ID TAG DATA - 2020+
Siemens / Baldor Motors

MODEL	FT	FULL LOAD AMPS (DRYER ONLY) - MOTOR TAG DATA						LARGEST MOTOR HP	MAX. BTU/HR (MILL.)*	MIN. BTU/HR (MILL.)*
		230V 1P	208V 3P	230V 3P	400V 3P	460V 3P	575V 3P			
DP10 (15hp)	10	77.9	N/A	N/A	N/A	N/A	N/A	15	2.6	0.8
DP15	15	99.5	N/A	N/A	N/A	N/A	N/A	10	3.5	1.1
DP20	20	99.5	N/A	N/A	N/A	N/A	N/A	10	3.5	1.1
DP30	30	145.6	N/A	N/A	N/A	N/A	N/A	10	5.2	1.6
DP40	40	191.2	N/A	N/A	N/A	N/A	N/A	10	7	2.2
DPSL10	10	N/A	70.0	61.7	35.6	31.0	24.8	20	3.1	1.0
DPSL15	15	N/A	103.1	90.5	53.2	45.4	36.3	15	4	1.2
DPSL20	20	N/A	130.7	114.5	65.2	57.4	45.9	20	6.2	1.9
DPSL25	25	N/A	177.7	159.7	95.8	80.0	64.0	30	7.9	2.5
DPSL30	30	N/A	194.2	169.7	95.8	85.0	68.0	20	9.2	2.9
DPSL40	40	N/A	260.2	227.1	129.0	113.7	91.0	20	12.3	3.8
DPXSL20	20	N/A	171.7	157.3	93.2	77.4	61.9	30	7.9	2.5
DPXSL25	25	N/A	180.5	162.1	96.8	81.2	65.0	30	10.6	3.1
DPXSL30	30	N/A	258.5	232.1	138.8	116.2	93.0	30	11.9	3.7
DPXSL40	40	N/A	356.0	319.1	191.1	159.7	127.8	30	15.8	4.9
DPX4T20	20	N/A	177.7	159.7	95.8	80.0	64.0	30	10.6	3.1
DPX4T25	25	N/A	280.5	254.1	146.8	127.2	102.2	50	13.7	4.3
DPX4T30	30	N/A	264.2	237.1	143.0	118.7	95.0	30	15	4.7
DPX4T40	40	N/A	356.0	319.1	191.1	159.7	127.8	30	20	6.3
DPX8GT20	20	N/A	177.7	159.7	95.8	80.0	64.0	30	10.6	3.1
DPX8GT25	25	N/A	286.2	259.1	151.0	129.7	104.2	50	13.7	4.3
DPX8GT30	30	N/A	264.2	237.1	143.0	118.7	95.0	30	15	4.7
DPX8GT40	40	N/A	356.0	319.1	191.1	159.7	127.8	30	20	6.3
DPX12GT20	20	N/A	225.7	203.7	123.8	102.0	81.6	40	11.8	3.7
DPX12GT25	25	N/A	328.2	299.1	178.0	149.7	119.8	60	15.2	4.8
DPX12GT30	30	N/A	336.2	303.1	185.0	151.7	121.4	40	17.7	5.5
DPX12GT40	40	N/A	457.7	412.1	251.3	206.2	165.0	40	23.6	7.4
DPX16GT20	20	N/A	277.7	251.7	145.8	126.0	101.2	50	13.7	4.3
DPX16GT25	25	N/A	328.2	299.1	178.0	149.7	119.8	60	15.2	4.8
DPX16GT30	30	N/A	414.2	375.1	218.0	187.7	150.8	50	20.6	6.4
DPX16GT40	40	N/A	561.7	508.1	295.3	254.2	204.2	50	27.5	8.6

- *MAX. BTU IS BASED ON A NET TEMP. RISE OF 160°F. MIN. BTU IS BASED ON A NET TEMP RISE OF 50°F FORL.

- FULL LOAD AMPS BASED ON MANUFACTURER SPECS AS OF 01/01/19

AIR AND HEAT SPECIFICATIONS

MODEL	DRYING AIRFLOW CFM	NUMBER OF BURNERS	BTU - MILLION 210 OPERATING TEMP. AMBIENT TEMPERATURE					
			0°	10°	20°	40°	60°	70°
DP10 (15hp) 1P	14985	1	2.91	2.75	2.59	2.27	1.94	1.78
DP15 1P	20154	2	3.92	3.70	3.48	3.05	2.61	2.39
DP20 1P	20154	2	3.92	3.70	3.48	3.05	2.61	2.39
DP30 1P	30231	3	5.88	5.55	5.22	4.57	3.92	3.59
DP40 1P	40308	4	7.84	7.40	6.97	6.09	5.22	4.88
DPSL10	17808	1	3.46	3.27	3.08	2.70	2.31	2.12
DPSL15	29970	1	5.83	5.50	5.18	4.53	3.88	3.56
DPSL20	35616	2	6.92	6.54	6.15	5.39	4.62	4.23
DPSL25	45792	2	8.90	8.41	7.91	6.92	5.93	5.44
DPSL30	53424	3	10.39	9.81	9.23	8.08	6.92	6.35
DPSL40	71232	4	13.85	13.08	12.31	10.77	9.23	8.46
DPXSL20	45792	2	8.90	8.41	7.91	6.92	5.93	5.44
DPXSL25	57876	2	11.25	10.63	10.00	8.75	7.50	6.88
DPXSL30	68688	3	13.35	12.61	11.87	10.39	8.90	8.16
DPXSL40	91584	4	17.80	16.81	15.83	13.85	11.87	10.88
DPX4T20	57876	2	11.25	10.63	10.00	8.75	7.50	6.88
DPX4T25	79500	2	15.45	14.60	13.74	12.02	10.30	9.44
DPX4T30	86814	3	16.88	15.94	15.00	13.13	11.25	10.31
DPX4T40	115752	4	22.50	21.25	20.00	17.50	15.00	13.75
DPX8GT20	57876	2	11.25	10.63	10.00	8.75	7.50	6.88
DPX8GT25	79500	2	15.45	14.60	13.74	12.02	10.30	9.44
DPX8GT30	86814	3	16.88	15.94	15.00	13.13	11.25	10.31
DPX8GT40	115752	4	22.50	21.25	20.00	17.50	15.00	13.75
DPX12GT20	68402	2	13.30	12.56	11.82	10.34	8.86	8.13
DPX12GT25	88036	2	17.11	16.16	15.21	13.31	11.41	10.46
DPX12GT30	102603	3	19.95	18.84	17.73	15.51	13.30	12.19
DPX12GT40	136804	4	26.60	25.12	23.64	20.68	17.73	16.25
DPX16GT20	79500	2	15.46	14.60	13.74	12.02	10.30	9.45
DPX16GT25	88086	2	17.12	16.17	15.22	13.32	11.42	10.47
DPX16GT30	119250	3	23.18	21.89	20.61	18.03	15.46	14.17
DPX16GT40	159000	4	30.91	29.19	27.48	24.04	20.61	18.89

COMBINATON STARTERS – SIEMENS (2019+)

SIEMENS CATALOG NUMBER

DELUX PART NUMBER

230V 3P						
HP	COMBINATION STARTER	TERM. BLOCK or (MOUNT. RAIL)	OVERLOAD CONTACT	* ADDITIONAL AUX. CONTACT	FLA RANGE	MOTOR AMPS (SIEMENS)
1	3RA61201CP32	3RV2925-5EB	INCL.	3RA6911-1A 001-010076	1.0 – 4.0	2.8
	001-010064	001-010074				
2	3RA61201DP32	3RV2925-5EB	INCL.	3RA6911-1A 001-010076	3.0 – 12.0	5.6
	001-010065	001-010074				
3	3RA61201DP32	3RV2925-5EB	INCL.	3RA6911-1A 001-010076	3.0 – 12.0	8.0
	001-010065	001-010074				
5	3RA61201EP32	3RV2925-5EB	INCL.	3RA6911-1A 001-010076	8.0 – 32.0	13.0
	001-010066	001-010074				
7.5	3RA61201EP32	3RV2925-5EB	INCL.	3RA6911-1A 001-010076	8.0 – 32.0	19.4
	001-010066	001-010074				
10	3RA61201EP32	3RV2925-5EB	INCL.	3RA6911-1A 001-010076	8.0 – 32.0	25.0
	001-010066	001-010074				
15	3RA2135-4UA36-1AK6	(3RA2932-1AA00)	INCL.	3RH2911-1HA11 001-010883	32 – 40	38.0
	001-010067	(001-011931)				
20	3RA2140-4JB45-0AK6	3RT2946-4GA07	3RV2901-1A 001-010137	3RH2911-1HA11 001-010883	45 - 63	50.0
	001-010070	001-010075				
25	3RA2140-4KB46-0AK6	3RT2946-4GA07	3RV2901-1A 001-010137	3RH2911-1HA11 001-011883	57 – 75	60.0
	001-010071	001-010075				
30	3RA2140-4RB46-0AK6	3RT2946-4GA07	3RV2901-1A 001-010137	3RH2911-1HA11 001-011883	65 - 84	70.0
	001-010072	001-010075				
40	3RA2140-4MB47-0AK6	3RT2946-4GA07	3RV2901-1A 001-010137	3RH2911-1HA11 001-011883	80 - 100	92.0
	001-010073	001-010075				
HP	MSP (Schneider)	LUGS	AUX. CONTACT	CONTACTOR (Schneider)	FLA RANGE	MOTOR AMPS (SIEMENS)
50	GV7RE150	GV7AC022	GV7AE11	LC1D150G7	90 – 150	116.0
	001-008918	001-008927 (6)	001-008931	001-008925		
60	GV7RE220	GV7AC022	GV7AE11	LC1D150G7	132 - 220	136.0
	001-008919	001-008927 (6)	001-008931	001-008925		

* ADDITIONAL AUX. CONTACT REQUIRED FOR LOAD STARTER ON STD. DRYERS AND BOTH AUX. STARTERS ON G2 .

460V 3P						
HP	COMBINATION STARTER	TERM. BLOCK or (MOUNT. RAIL)	OVERLOAD CONTACT	* ADDITIONAL AUX. CONTACT	FLA RANGE	MOTOR AMPS (SIEMENS)
1	3RA61201CP32	3RV2925-5EB	INCL.	3RA6911-1A	1.0 – 4.0	1.4
	001-010064	001-010074		001-010076		
2	3RA61201CP32	3RV2925-5EB	INCL.	3RA6911-1A	1.0 – 4.0	2.8
	001-010064	001-010074		001-010076		
3	3RA61201DP32	3RV2925-5EB	INCL.	3RA6911-1A	3.0 – 12.0	4.0
	001-010065	001-010074		001-010076		
5	3RA61201DP32	3RV2925-5EB	INCL.	3RA6911-1A	3.0 – 12.0	6.5
	001-010065	001-010074		001-010076		
7.5	3RA61201DP32	3RV2925-5EB	INCL.	3RA6911-1A	3.0 – 12.0	9.7
	001-010065	001-010074		001-010076		
10	3RA61201EP32	3RV2925-5EB	INCL.	3RA6911-1A	8.0 – 32.0	12.5
	001-010066	001-010074		001-010076		
15	3RA61201EP32	3RV2925-5EB	INCL.	3RA6911-1A	8.0 – 32.0	19.0
	001-010066	001-010074		001-010076		
20	3RA61201EP32	3RV2925-5EB	INCL.	3RA6911-1A	8.0 – 32.0	25.0
	001-010066	001-010074		001-010076		
25	3RA2135-4PA35-1AK6	(3RA2932-1AA00)	INCL.	3RH2911-1HA11	28 – 36	30.0
	001-011879	(001-011931)		001-011883		
30	3RA2135-4UA36-0AK6	(3RA2932-1AA00)	INCL.	3RH2911-1HA11	32 – 40	35.0
	001-010067	(001-011931)		001-011883		
40	3RA2135-4WA37-1AK6	(3RA2932-1AA00)	INCL.	3RH2911-1HA11	42 – 52	46.0
	001-010069	(001-011931)		001-011883		
50	3RA2140-4JB45-0AK6	3RT2946-4GA07	3RV2901-1A	3RH2911-1HA11	45 – 63	58.0
	001-010070	001-010075	001-010137	001-011883		
60	3RA2140-4KB46-0AK6	3RT2946-4GA07	3RV2901-1A	3RH2911-1HA11	57 – 75	68.0
	001-010071	001-010075	001-010137	001-011883		
75	3RA2140-4MB47-0AK6	3RT2946-4GA07	3RV2901-1A	3RH2911-1HA11	80 – 100	85.0
	001-010073	001-010075	001-010137	001-011883		

* ADDITIONAL AUX. CONTACT REQUIRED FOR LOAD STARTER ON STD. DRYERS AND BOTH AUX. STARTERS ON G2 .

575V 3P						
HP	COMBINATION STARTER	TERM. BLOCK or (MOUNT, RAIL)	OVERLOAD CONTACT	* ADDITIONAL AUX. CONTACT	FLA RANGE	MOTOR AMPS (SIEMENS)
1	3RA61201CP32	3RV2925-5EB	INCL.	3RA6911-1A 001-010076	1.0 - 4.0	1.1
	001-010064	001-010074				
2	3RA61201CP32	3RV2925-5EB	INCL.	3RA6911-1A 001-010076	1.0 - 4.0	2.2
	001-010064	001-010074				
3	3RA61201CP32	3RV2925-5EB	INCL.	3RA6911-1A 001-010076	1.0 - 4.0	3.2
	001-010064	001-010074				
5	3RA61201DP32	3RV2925-5EB	INCL.	3RA6911-1A 001-010076	3.0 - 12.0	5.2
	001-010065	001-010074				
7.5	3RA61201DP32	3RV2925-5EB	INCL.	3RA6911-1A 001-010076	3.0 - 12.0	7.8
	001-010065	001-010074				
10	3RA61201DP32	3RV2925-5EB	INCL.	3RA6911-1A 001-010076	3.0 - 12.0	10.0
	001-010065	001-010074				
15	3RA61201EP32	3RV2925-5EB	INCL.	3RA6911-1A 001-010076	8.0 - 32.0	15.2
	001-010066	001-010074				
20	3RA61201EP32	3RV2925-5EB	INCL.	3RA6911-1A 001-010076	8.0 - 32.0	20.0
	001-010066	001-010074				
25	3RA61201EP32	3RV2925-5EB	INCL.	3RA6911-1A 001-010076	8.0 - 32.0	24.0
	001-010066	001-010074				
30	3RA61201EP32	3RV2925-5EB	INCL.	3RA6911-1A 001-010076	8.0 - 32.0	28.0
	001-010066	001-010074				
40	3RA2135-4UA36-0AK6	(3RA2932-1AA00)	INCL.	3RH2911-1HA11 001-011883	32 - 40	36.8
	001-010067	(001-011931)				
50	3RA2135-4WA37-1AK6	(3RA2932-1AA00)	INCL.	3RH2911-1HA11 001-011883	42 - 52	46.4
	001-010069	(001-011931)				
60	3RA2140-4JB45-0AK6	3RT2946-4GA07	3RV2901-1A 001-010137	3RH2911-1HA11 001-011883	45 - 63	54.4
	001-010070	001-010075				
75	3RA2140-4RB46-0AK6	3RT2946-4GA07	3RV2901-1A 001-010137	3RH2911-1HA11 001-011883	65 - 84	68.0
	001-010072	001-010075				

* ADDITIONAL AUX. CONTACT REQUIRED FOR LOAD STARTER ON STD. DRYERS AND BOTH AUX. STARTERS ON G2 .

400V 3P						
HP	COMBINATION STARTER	TERM. BLOCK or (MOUNT. RAIL)	OVERLOAD CONTACT	* ADDITIONAL AUX. CONTACT	FLA RANGE	MOTOR AMPS (BALDOR)
1	3RA61201CP32	3RV2925-5EB	INCL.	3RA6911-1A	1.0 - 4.0	1.8
	001-010064	001-010074		001-010076		
2	3RA61201CP32	3RV2925-5EB	INCL.	3RA6911-1A	1.0 - 4.0	3.4
	001-010064	001-010074		001-010076		
3	3RA61201DP32	3RV2925-5EB	INCL.	3RA6911-1A	3.0 - 12.0	4.4
	001-010065	001-010074		001-010076		
5	3RA61201DP32	3RV2925-5EB	INCL.	3RA6911-1A	3.0 - 12.0	8.6
	001-010065	001-010074		001-010076		
7.5	3RA61201EP32	3RV2925-5EB	INCL.	3RA6911-1A	8.0 - 32.0	11.2
	001-010066	001-010074		001-010076		
10	3RA61201EP32	3RV2925-5EB	INCL.	3RA6911-1A	8.0 - 32.0	14.7
	001-010066	001-010074		001-010076		
15	3RA61201EP32	3RV2925-5EB	INCL.	3RA6911-1A	8.0 - 32.0	22.0
	001-010066	001-010074		001-010076		
20	3RA61201EP32	3RV2925-5EB	INCL.	3RA6911-1A	8.0 - 32.0	28.0
	001-010066	001-010074		001-010076		
25	3RA2135-4UA36-0AK6	(3RA2932-1AA00)	INCL.	3RH2911-1HA11	32 - 40	35.0
	001-010067	(001-011931)		001-011883		
30	3RA2135-4WA37-0AK6	(3RA2932-1AA00)	INCL.	3RH2911-1HA11	42 - 52	42.0
	001-010069	(001-011931)		001-011883		
40	3RA2140-4JB45-0AK6	3RT2946-4GA07	3RV2901-1A	3RH2911-1HA11	45 - 63	56.0
	001-010070	001-010075	001-010137	001-011883		
50	3RA2140-4KB46-0AK6	3RT2946-4GA07	3RV2901-1A	3RH2911-1HA11	57 - 75	67.0
	001-010071	001-010075	001-010137	001-011883		
60	3RA2140-4RB46-0AK6	3RT1946-4GA07	3RV2901-1A	3RH2911-1HA11	70 - 90	80.5
	001-010072	001-010075	001-010137	001-011883		

* ADDITIONAL AUX. CONTACT REQUIRED FOR LOAD STARTER ON STD. DRYERS AND BOTH AUX. STARTERS ON G2 .

208V 3P

HP	COMBINATION STARTER	TERM. BLOCK or (MOUNT. RAIL)	OVERLOAD CONTACT	* ADDITIONAL AUX. CONTACT	FLA RANGE	MOTOR AMPS **
1	3RA61201CP32	3RV2925-5EB	INCL.	3RA6911-1A 001-010076	1.0 – 4.0	3.2
	001-010064	001-010074				
2	3RA61201DP32	3RV2925-5EB	INCL.	3RA6911-1A 001-010076	3.0 – 12.0	6.4
	001-010065	001-010074				
3	3RA61201DP32	3RV2925-5EB	INCL.	3RA6911-1A 001-010076	3.0 – 12.0	9.2
	001-010065	001-010074				
5	3RA61201EP32	3RV2925-5EB	INCL.	3RA6911-1A 001-010076	8.0 – 32.0	14.9
	001-010066	001-010074				
7.5	3RA61201EP32	3RV2925-5EB	INCL.	3RA6911-1A 001-010076	8.0 – 32.0	22.3
	001-010066	001-010074				
10	3RA61201EP32	3RV2925-5EB	INCL.	3RA6911-1A 001-010076	8.0 – 32.0	28.7
	001-010066	001-010074				
15	3RA2135-4VA36-0AK6	(3RA2932-1AA00)	INCL.	3RH2911-1HA11 001-011883	35 – 45	43.7
	001-010068	(001-011931)				
20	3RA2140-4JB45-0AK6	3RT1946-4GA07	3RV1901-1A 001-010137	3RH2911-1HA11 001-011883	45 – 63	57.5
	001-010070	001-010075				
25	3RA2140-4KB46-0AK6	3RT1946-4GA07	3RV1901-1A 001-010137	3RH2911-1HA11 001-011883	57 – 75	63.3
	001-010071	001-010075				
30	3RA2140-4RB46-0AK6	3RT1946-4GA07	3RV1901-1A 001-010137	3RH2911-1HA11 001-011883	65 – 84	78.0
	001-010072	001-010075				
HP	MSP (Schneider)	LUGS	AUX. CONTACT	CONTACTOR (Schneider)	FLA RANGE	MOTOR AMPS ***
40	GV7RE150	GV7AC022	GV7AE11 001-008931	LC1D150G7 001-008925	90 - 150	102.0
	001-008918	001-008927 (6)				
50	GV7RE150	GV7AC022	GV7AE11 001-008931	LC1D150G7 001-008925	90 - 150	128.0
	001-008918	001-008927 (6)				
60	GV7RE220	GV7AC022	GV7AE11 001-008931		132 - 220	149.0
	001-008919	001-008927 (6)				

* ADDITIONAL AUX. CONTACT REQUIRED FOR LOAD STARTER ON ALL DRYERS AND UNLOAD STARTER WITH MOISTURELINK.

** 1HP THRU 20HP ARE SIEMENS FLA. 25HP THRU 60HP ARE BALDOR FLA

230V 1 Phase						
HP	COMBINATION STARTER	TERM. BLOCK or (MOUNT. RAIL)	OVERLOAD CONTACT	*ADDITIONAL AUX. CONTACT	FLA RANGE	MOTOR AMPS (SIEMENS)
1	3RA2120-1HA24-0AK6	3RV2928-1H	3RV2901-1A	3RH2911-1HA11	5.5 - 8	5.9
	001-010081	001-010079	001-010078	001-011883		
2	3RA2120-1KA24-0AK6	3RV2928-1H	3RV2901-1A	3RH2911-1HA11	9 - 12.5	11.5
	001-010082	001-010079	001-010078	001-011883		
3	3RA2120-4AA26-0AK6	3RV2928-1H	3RV2901-1A	3RH2911-1HA11	11 - 16	14.0
	001-010083	001-010079	001-010078	001-011883		
5	3RA2120-4CA27-0AK6	3RV2928-1H	3RV2901-1A	3RH2911-1HA11	17 - 22	19.1
	001-010084	001-010079	001-010078	001-011883		
7.5	3RA2135-4PA35-0AK6	(3RA2932-1AA00)	INCL.	3RH2911-1HA11	28 - 36	29.0
	001-011879	(001-011931)		001-011883		
10	3RA2135-4VA36-0AK6	(3RA2932-1AA00)	INCL.	3RH2911-1HA11	35 - 45	38.0
	001-010068	(001-011931)		001-011883		
15	3RA2140-4KB46-0AK6	3RT1946-4GA07	3RV1901-1A	3RH2911-1HA11	57 - 75	60.0
	001-010071	001-010075	001-010137	001-011883		

* ADDITIONAL AUX. CONTACT REQUIRED FOR LOAD STARTER ON ALL DRYERS AND UNLOAD STARTER WITH MOISTURELINK.

FUEL TRAIN W/MODULATING SYSTEM & ROUND FIN VAPORIZER PIPE SIZES

MODEL	<u>L.P.</u> LIQUID VALVES & PIPE	<u>L.P.</u> VAPORIZER SIZES ROUND FIN	<u>L.P.</u> VAPOR REGULATOR, VALVES & PIPE	<u>MANIFOLD</u> SOLENOID VALVE & PIPE	<u>MANIFOLD</u> BUTTERFLY VALVE
DP10	1/2	4R	1/2	1 1/4	1 1/4
DP15	1/2	8R	1/2	1 1/4	1 1/4
DP20	1/2	8R	1/2	1 1/4	1 1/4
DP30	1/2	12R	1/2	1 1/4	1 1/4
DP40	3/4	8R/8R	2	2	2
DPSL10	1/2	4R	1/2	1 1/4	1 1/4
DPSL15	1/2	8R	1/2	1 1/4	1 1/4
DPSL20	1/2	8R	1/2	1 1/4	1 1/4
DPSL25	1/2	12R	1/2	1 1/4	1 1/4
DPSL30	1/2	12R	1/2	1 1/4	1 1/4
DPSL40	3/4	8R/8R	2	2	2
DPXSL20	1/2	12R	1/2	1 1/4	1 1/4
DPXSL25	3/4	8R/8R	2	2	2
DPXSL30	3/4	8R/8R	2	2	2
DPXSL40	3/4	12R/12R	2	2	2
DPX4T20	3/4	8R/8R	2	2	2
DPX4T25	3/4	8R/12R	2	2	2
DPX4T30	3/4	8R/12R	2	2	2
DPX4T40	3/4	8R/8R/12R	2	2	2
DPX8GT20	3/4	8R/8R	2	2	2
DPX8GT25	3/4	8R/12R	2	2	2
DPX8GT30	3/4	8R/12R	2	2	2
DPX8GT40	3/4	8R/8R/12R	2	2	2
DPX12GT20	3/4	8R/8R	2	2	2
DPX12GT25	3/4	8R/12R	2	2	2
DPX12GT30	3/4	12R/12R	2	2	2
DPX12GT40	3/4	8R/12R/12R	2	2	2
DPX16GT20	3/4	8R/12R	2	2	2
DPX16GT25	3/4	8R/12R	2	2	2
DPX16GT30	3/4	8R/8R/12R	2	2	2
DPX16GT40	3/4	12R/12R/12R	2	2	2

ORIFICE CHART - 2020+

MODEL	DIA		---NATURAL GAS---		-LIQUID PROPANE--		QTY
	FAN		PART NUMBER	DIA	PART NUMBER	DIA	
DP10 (15hp)	10FT	38"	100-003146	3/8	100-003145	9/32	1
DP15	15FT	38"	100-006955	11/32	100-006950	1/4	2
DP20	20FT	38"	100-006955	11/32	100-006950	1/4	2
DP30	30FT	38"	100-006955	11/32	100-006950	1/4	3
DP40	40FT	38"	100-006955	11/32	100-006950	1/4	4
<hr/>							
DPSL10	10FT	38"	100-006961	29/64	100-006953	5/16	1
DPSL15	15FT	38"	100-006963	3/8	100-006956	9/32	2
DPSL20	20FT	38"	100-006961	29/64	100-006953	5/16	2
DPSL25	25FT	38"	100-006961	29/64	100-006953	5/16	2
DPSL30	30FT	38"	100-006961	29/64	100-006953	5/16	3
DPSL40	40FT	38"	100-006961	29/64	100-006953	5/16	4
<hr/>							
DPXSL20	20FT	38"	100-006963	31/64	100-006956	23/64	2
DPXSL25	25FT	43"	100-006963	31/64	100-006956	23/64	2
DPXSL30	30FT	38"	100-006963	31/64	100-006956	23/64	3
DPXSL40	40FT	38"	100-006963	31/64	100-006956	23/64	4
<hr/>							
DPX4T20	20FT	43"	100-006963	31/64	100-003146	3/8	2
DPX4T25	25FT	43"	100-006963	31/64	100-003146	3/8	2
DPX4T30	30FT	43"	100-006963	31/64	100-003146	3/8	3
DPX4T40	40FT	43"	100-006963	31/64	100-003146	3/8	4
<hr/>							
DPX8GT20	20FT	43"	100-006963	31/64	100-003146	3/8	2
DPX8GT25	25FT	43"	100-006963	31/64	100-003146	3/8	2
DPX8GT30	30FT	43"	100-006963	31/64	100-003146	3/8	3
DPX8GT40	40FT	43"	100-006963	31/64	100-003146	3/8	4
<hr/>							
DPX12GT20	20FT	43"	100-003808	1/2	100-006957	25/64	2
DPX12GT25	25FT	43"	100-003808	1/2	100-006957	25/64	2
DPX12GT30	30FT	43"	100-003808	1/2	100-006957	25/64	3
DPX12GT40	40FT	43"	100-003808	1/2	100-006957	25/64	4
<hr/>							
DPX16GT20	20FT	43"	100-006964	33/64	100-006958	13/32	2
DPX16GT25	25FT	43"	100-003809	33/64	100-006958	13/32	2
DPX16GT30	30FT	43"	100-006964	33/64	100-006958	13/32	3
DPX16GT40	40FT	43"	100-006964	33/64	100-006958	13/32	4

NOTE:

1. ORIFICE SIZE: OCCASIONALLY CONDITIONS MAY EXIST THAT REQUIRE ORIFICE SIZE TO BE MODIFIED.

STANDARD LEVELING (AUGER) SYSTEM

ALL MOTORS – 230V-1P – 240V-3P – 480V-3P

<u>MODEL</u>	<u>TYPE</u>	<u>MOTOR DESCRIPTION</u>	<u>DELUX MOTOR P/N.</u>
DP10	AUGER-8"	1HP-1750RPM-60HZ-115/230V-1P-143T- 7/8	004-003236
DP15	AUGER-8"	2HP-1750RPM-60HZ-115/230V-1P-182T-1 1/8	004-007779
DP20	AUGER-8"	2HP-1750RPM-60HZ-115/230V-1P-182T-1 1/8	004-007779
DP30	AUGER-8"	3HP-1750RPM-60HZ- 230V-1P-184T-1 1/8	004-005417
DP40	AUGER-8"	5HP-1750RPM-60HZ- 230V-1P-184T-1 1/8	004-004869
<hr/>			
DPSL10	AUGER-8"	1HP-1750RPM-60HZ-240/480V-3P-143T- 7/8	004-002355
DPSL15	AUGER-8"	2HP-1750RPM-60HZ-240/480V-3P-145T- 7/8	004-002673
DPSL20	AUGER-8"	2HP-1750RPM-60HZ-240/480V-3P-145T- 7/8	004-002673
DPSL25	AUGER-8"	3HP-1750RPM-60HZ-240/480V-3P-182T-1 1/8	004-002671
DPSL30	AUGER-8"	3HP-1750RPM-60HZ-240/480V-3P-182T-1 1/8	004-002671
DPSL40	AUGER-8"	5HP-1750RPM-60HZ-240/480V-3P-184T-1 1/8	004-002672
<hr/>			
DPXSL20	AUGER-8"	2HP-1750RPM-60HZ-240/480V-3P-145T- 7/8	004-002673
DPXSL25	AUGER-8"	3HP-1750RPM-60HZ-240/480V-3P-182T-1 1/8	004-002671
DPXSL30	AUGER-8"	3HP-1750RPM-60HZ-240/480V-3P-182T-1 1/8	004-002671
DPXSL40	AUGER-10"	10HP-1750RPM-60HZ-240/480V-3P-215T-1 3/8	004-002675
<hr/>			
DPX4T20	AUGER-8"	3HP-1750RPM-60HZ-240/480V-3P-182T-1 1/8	004-002671
DPX4T25	AUGER-8"	3HP-1750RPM-60HZ-240/480V-3P-182T-1 1/8	004-002671
DPX4T30	AUGER-8"	5HP-1750RPM-60HZ-240/480V-3P-184T-1 1/8	004-002672
DPX4T40	AUGER-10"	10HP-1750RPM-60HZ-240/480V-3P-215T-1 3/8	004-002675
<hr/>			
DPX8GT20	AUGER-8"	3HP-1750RPM-60HZ-240/480V-3P-182T-1 1/8	004-002671
DPX8GT25	AUGER-8"	5HP-1750RPM-60HZ-240/480V-3P-184T-1 1/8	004-002672
DPX8GT30	AUGER-8"	5HP-1750RPM-60HZ-240/480V-3P-184T-1 1/8	004-002672
DPX8GT40	AUGER-10"	10HP-1750RPM-60HZ-240/480V-3P-215T-1 3/8	004-002675
<hr/>			
DPX12GT20	AUGER-10"	3HP-1750RPM-60HZ-240/480V-3P-182T-1 1/8	004-002671
DPX12GT25	AUGER-10"	5HP-1750RPM-60HZ-240/480V-3P-184T-1 1/8	004-002672
DPX12GT30	AUGER-10"	5HP-1750RPM-60HZ-240/480V-3P-184T-1 1/8	004-002672
DPX12GT40	AUGER-10"	10HP-1750RPM-60HZ-240/480V-3P-215T-1 3/8	004-002675
<hr/>			
DPX16GT20	AUGER-10"	3HP-1750RPM-60HZ-240/480V-3P-182T-1 1/8	004-002671
DPX16GT25	AUGER-10"	5HP-1750RPM-60HZ-240/480V-3P-184T-1 1/8	004-002672
DPX16GT30	AUGER-10"	5HP-1750RPM-60HZ-240/480V-3P-184T-1 1/8	004-002672
DPX16GT40	AUGER-10"	10HP-1750RPM-60HZ-240/480V-3P-215T-1 3/8	004-002675

NOTE: 1. ALL MOTORS SHOWN 240V/480V-3P UNLESS STATED (1P) INDICATING 230V-1P.

STANDARD LEVELING (AUGER) SYSTEM

ALL MOTORS – 380V-3P

MODEL	TYPE	MOTOR DESCRIPTION			DELUX MOTOR P/N.
DPSL10	AUGER-8"	1HP-1450RPM-50HZ-	380V-3P-143T-	7/8	004-007853
DPSL15	AUGER-8"	2HP-1450RPM-50HZ-	380V-3P-145T-	7/8	004-007854
DPSL20	AUGER-8"	2HP-1450RPM-50HZ-	380V-3P-145T-	7/8	004-007854
DPSL25	AUGER-8"	3HP-1450RPM-50HZ-	380V-3P-182T-1	1/8	004-007855
DPSL30	AUGER-8"	3HP-1450RPM-50HZ-	380V-3P-182T-1	1/8	004-007855
DPSL40	AUGER-8"	5HP-1450RPM-50HZ-	380V-3P-184T-1	1/8	004-007856
DPXSL20	AUGER-8"	2HP-1450RPM-50HZ-	380V-3P-145T-	7/8	004-007854
DPXSL25	AUGER-8"	3HP-1450RPM-50HZ-	380V-3P-182T-1	1/8	004-007855
DPXSL30	AUGER-8"	3HP-1450RPM-50HZ-	380V-3P-182T-1	1/8	004-007855
DPXSL40	AUGER-10"	10HP-1450RPM-50HZ-	380V-3P-215T-1	3/8	004-007857
DPX4T20	AUGER-8"	3HP-1450RPM-50HZ-	380V-3P-182T-1	1/8	004-007855
DPX4T25	AUGER-8"	3HP-1450RPM-50HZ-	380V-3P-182T-1	1/8	004-007855
DPX4T30	AUGER-8"	5HP-1450RPM-50HZ-	380V-3P-184T-1	1/8	004-007856
DPX4T40	AUGER-10"	10HP-1450RPM-50HZ-	380V-3P-215T-1	3/8	004-007857
DPX8GT20	AUGER-8"	3HP-1450RPM-50HZ-	380V-3P-182T-1	1/8	004-007855
DPX8GT25	AUGER-8"	5HP-1450RPM-50HZ-	380V-3P-184T-1	1/8	004-007856
DPX8GT30	AUGER-8"	5HP-1450RPM-50HZ-	380V-3P-184T-1	1/8	004-002656
DPX8GT40	AUGER-10"	10HP-1450RPM-50HZ-	380V-3P-215T-1	3/8	004-007857
DPX12GT20	AUGER-10"	3HP-1450RPM-50HZ-	380V-3P-182T-1	1/8	004-007855
DPX12GT25	AUGER-10"	5HP-1450RPM-50HZ-	380V-3P-184T-1	1/8	004-007856
DPX12GT30	AUGER-10"	5HP-1450RPM-50HZ-	380V-3P-184T-1	1/8	004-007856
DPX12GT40	AUGER-10"	10HP-1450RPM-50HZ-	380V-3P-215T-1	3/8	004-007857
DPX16GT20	AUGER-10"	3HP-1450RPM-50HZ-	380V-3P-182T-1	1/8	004-007855
DPX16GT25	AUGER-10"	5HP-1450RPM-50HZ-	380V-3P-184T-1	1/8	004-007856
DPX16GT30	AUGER-10"	5HP-1450RPM-50HZ-	380V-3P-184T-1	1/8	004-007856
DPX16GT40	AUGER-10"	10HP-1450RPM-50HZ-	380V-3P-215T-1	3/8	004-007857

NOTE: 1. ALL MOTORS SHOWN 380V-3P.

STANDARD LEVELING (AUGER) SYSTEM

ALL MOTOR - 575V-3P

<u>MODEL</u>	<u>TYPE</u>	<u>MOTOR DESCRIPTION</u>			<u>DELUX MOTOR P/N.</u>
DPSL10	AUGER-8"	1HP-1750RPM-60HZ-	575V-3P-143T-	7/8	004-007630
DPSL15	AUGER-8"	2HP-1750RPM-60HZ-	575V-3P-145T-	7/8	004-007425
DPSL20	AUGER-8"	2HP-1750RPM-60HZ-	575V-3P-145T-	7/8	004-007425
DPSL25	AUGER-8"	3HP-1750RPM-60HZ-	575V-3P-182T-1	1/8	004-007615
DPSL30	AUGER-8"	3HP-1750RPM-60HZ-	575V-3P-182T-1	1/8	004-007615
DPSL40	AUGER-8"	5HP-1750RPM-60HZ-	575V-3P-184T-1	1/8	004-007629
DPXSL20	AUGER-8"	2HP-1750RPM-60HZ-	575V-3P-145T-	7/8	004-007425
DPXSL25	AUGER-8"	3HP-1750RPM-60HZ-	575V-3P-182T-1	1/8	004-007615
DPXSL30	AUGER-8"	3HP-1750RPM-60HZ-	575V-3P-182T-1	1/8	004-007615
DPXSL40	AUGER-10"	10HP-1750RPM-60HZ-	575V-3P-215T-1	3/8	004-007570
DPX4T20	AUGER-8"	3HP-1750RPM-60HZ-	575V-3P-182T-1	1/8	004-007615
DPX4T25	AUGER-8"	3HP-1750RPM-60HZ-	575V-3P-182T-1	1/8	004-007615
DPX4T30	AUGER-8"	5HP-1750RPM-60HZ-	575V-3P-184T-1	1/8	004-007629
DPX4T40	AUGER-10"	10HP-1750RPM-60HZ-	575V-3P-215T-1	3/8	004-007570
DPX8GT20	AUGER-8"	3HP-1750RPM-60HZ-	575V-3P-182T-1	1/8	004-007615
DPX8GT25	AUGER-8"	5HP-1750RPM-60HZ-	575V-3P-184T-1	1/8	004-007629
DPX8GT30	AUGER-8"	5HP-1750RPM-60HZ-	575V-3P-184T-1	1/8	004-007629
DPX8GT40	AUGER-10"	10HP-1750RPM-60HZ-	575V-3P-215T-1	3/8	004-007570
DPX12GT20	AUGER-10"	3HP-1750RPM-60HZ-	575V-3P-182T-1	1/8	004-007615
DPX12GT25	AUGER-10"	5HP-1750RPM-60HZ-	575V-3P-184T-1	1/8	004-007629
DPX12GT30	AUGER-10"	5HP-1750RPM-60HZ-	575V-3P-184T-1	1/8	004-007629
DPX12GT40	AUGER-10"	10HP-1750RPM-60HZ-	575V-3P-215T-1	3/8	004-007570
DPX16GT20	AUGER-10"	3HP-1750RPM-60HZ-	575V-3P-182T-1	1/8	004-007615
DPX16GT25	AUGER-10"	5HP-1750RPM-60HZ-	575V-3P-184T-1	1/8	004-007629
DPX16GT30	AUGER-10"	5HP-1750RPM-60HZ-	575V-3P-184T-1	1/8	004-007629
DPX16GT40	AUGER-10"	10HP-1750RPM-60HZ-	575V-3P-215T-1	3/8	004-007570

NOTE: 1 ALL MOTORS SHOWN 575V-3P.

OPTIONAL DRAG SYSTEM – DISCHARGE AND/OR LEVELING
 (FOR *LEESON/OHIO* GEAR GEAR REDUCERS)
 ALL MOTORS - 230V-1P - 240V-3P - 480V-3P

MODEL	TYPE	MOTOR	MOTOR PART NUMBER	GEAR REDUCER	GEAR REDUCER PART NUMBER
DP10	DRAG-8"	1HP-1750RPM-60HZ-115/230V-1P 143TC- 7/8-CLASS B	004-006471	30: 1 140TC-1 1/4	052-008863
DP15	DRAG-8"	1HP-1750RPM-60HZ-115/230V-1P 143TC- 7/8-CLASS B	004-006471	30: 1 140TC-1 1/4	052-008863
DP20	DRAG-8"	1HP-1750RPM-60HZ-115/230V-1P 143TC- 7/8-CLASS B	004-006471	30: 1 140TC-1 1/4	052-008863
DP30	DRAG-8"	2HP-1750RPM-60HZ-115/230V-1P 182TC- 7/8-CLASS B	004-007896	30: 1 180TC-1 3/8	052-007922
DP40	DRAG-8"	3HP-1750RPM-60HZ-230V-1P 184TC-1 1/8-CLASS B	004-006473	20: 1 180TC-1 1/4	052-008864
DPSL10	DRAG-8"	2HP-1750RPM-60HZ-240/480V-3P 145TC- 7/8-CLASS B	004-005416	30: 1 140TC-1 1/4	052-008863
DPSL15	DRAG-8"	2HP-1750RPM-60HZ-240/480V-3P 145TC- 7/8-CLASS B	004-005416	30: 1 140TC-1 1/4	052-008863
DPSL20	DRAG-8"	2HP-1750RPM-60HZ-240/480V-3P 145TC- 7/8-CLASS B	004-005416	30: 1 140TC-1 1/4	052-008863
DPSL25	DRAG-8"	2HP-1750RPM-60HZ-240/480V-3P 145TC- 7/8-CLASS B	004-005416	30: 1 140TC-1 1/4	052-008863
DPSL30	DRAG-8"	2HP-1750RPM-60HZ-240/480V-3P 145TC- 7/8-CLASS B	004-005416	30: 1 140TC-1 1/4	052-008863
DPSL40	DRAG-8"	3HP-1750RPM-60HZ-240/480v-3P 182TC-1 1/8-CLASS B	004-001980	20: 1 180TC-1 1/4	052-008864
DPXSL20	DRAG-8"	2HP-1750RPM-60HZ-240/480V-3P 145TC- 7/8-CLASS B	004-005416	30: 1 140TC-1 1/4	052-008863
DPXSL25	DRAG-8"	3HP-1750RPM-60HZ-240/480v-3P 182TC-1 1/8-CLASS B	004-001980	20: 1 180TC-1 1/4	052-008864
DPXSL30	DRAG-8"	3HP-1750RPM-60HZ-240/480v-3P 182TC-1 1/8-CLASS B	004-001980	20: 1 180TC-1 1/4	052-008864
DPXSL40	DRAG-8" STD. DI S.	3HP-1750RPM-60HZ-240/480v-3P 182TC-1 1/8-CLASS B	004-001980	20: 1 180TC-1 1/4	052-008864
DPX4T20	DRAG-8"	2HP-1750RPM-60HZ-240/480V-3P 145TC- 7/8-CLASS B	004-005416	30: 1 140TC-1 1/4	052-008863
DPX4T25	DRAG-8"	3HP-1750RPM-60HZ-240/480v-3P 182TC-1 1/8-CLASS B	004-001980	20: 1 180TC-1 1/4	052-008864
DPX4T30	DRAG-8"	3HP-1750RPM-60HZ-240/480v-3P 182TC-1 1/8-CLASS B	004-001980	20: 1 180TC-1 1/4	052-008864
DPX4T40	DRAG-8" STD. DI S.	3HP-1750RPM-60HZ-240/480v-3P 182TC-1 1/8-CLASS B	004-001980	15: 1 180TC-1 1/8	052-008865
DPX8GT20	DRAG-8"	3HP-1750RPM-60HZ-240/480v-3P 182TC-1 1/8-CLASS B	004-001980	20: 1 180TC-1 1/4	052-008864
DPX8GT25	DRAG-8" STD. DI S.	3HP-1750RPM-60HZ-240/480v-3P 182TC-1 1/8-CLASS B	004-001980	20: 1 180TC-1 1/4	052-008864
DPX8GT30	DRAG-8" STD. DI S.	3HP-1750RPM-60HZ-240/480v-3P 182TC-1 1/8-CLASS B	004-001980	20: 1 180TC-1 1/4	052-008864
DPX8GT40	DRAG-8" STD. DI S.	3HP-1750RPM-60HZ-240/480v-3P 182TC-1 1/8-CLASS B	004-001980	15: 1 180TC-1 1/8	052-008865
DPX12GT20	DRAG-8"	3HP-1750RPM-60HZ-240/480v-3P 182TC-1 1/8-CLASS B	004-001980	20: 1 180TC-1 1/4	052-008864
DPX12GT25	DRAG-8" STD. DI S.	3HP-1750RPM-60HZ-240/480v-3P 182TC-1 1/8-CLASS B	004-001980	20: 1 180TC-1 1/4	052-008864
DPX12GT30	DRAG-8" STD. DI S.	3HP-1750RPM-60HZ-240/480v-3P 182TC-1 1/8-CLASS B	004-001980	15: 1 180TC-1 1/8	052-008865
DPX12GT40	DRAG-8" STD. DI S.	5HP-1750RPM-60HZ-240/480v-3P 184TC-1 1/8-CLASS B	004-001982	30: 1 180TC-1 7/8	052-008866
DPX16GT20	DRAG-8" STD. DI S.	3HP-1750RPM-60HZ-240/480v-3P 182TC-1 1/8-CLASS B	004-001980	20: 1 180TC-1 1/4	052-008864
DPX16GT25	DRAG-8" STD. DI S.	3HP-1750RPM-60HZ-240/480v-3P 182TC-1 1/8-CLASS B	004-001980	20: 1 180TC-1 1/4	052-008864
DPX16GT30	DRAG-8" STD. DI S.	3HP-1750RPM-60HZ-240/480v-3P 182TC-1 1/8-CLASS B	004-001980	15: 1 180TC-1 1/8	052-008865
DPX16GT40	DRAG-8" STD. DI S.	5HP-1750RPM-60HZ-240/480v-3P 184TC-1 1/8-CLASS B	004-001982	30: 1 180TC-1 7/8	052-008866

NOTE: 1. ALL MOTORS SHOWN 240V/480V-3P UNLESS STATED (1P) INDICATING 230V-1P

2. DRAG CAPACITIES (DRYER BU/HR @ 5 POINTS)

30: 1 UP TO 1200 BU/HR DRYER	MAX. 2310 BU	2HP	(DRAG 8" WIDE X 10" HIGH)
20: 1 UP TO 1900 BU/HR DRYER	MAX. 3465 BU	3HP	(DRAG 8" WIDE X 10" HIGH)
15: 1 UP TO 2560 BU HR DRYER	MAX. 4620 BU	3HP	(DRAG 8" WIDE X 10" HIGH)
30: 1 UP TO 2880 BU/HR DRYER	MAX. 5355 BU	5HP	(DRAG 8" WIDE X 14" HIGH) - DPX12GT & DPX16GT ONLY

3. WHEN ORDERING GEAR REDUCERS STATE: BRAND – RATIO – FRAME – SHAFT DIAMETER.

OPTIONAL DRAG SYSTEM – DI CHARGE AND/OR LEVELING
(FOR LEESON/OHIO GEAR GEAR REDUCERS)
ALL MOTORS - 380V-3P

MODEL	FT	TYPE	MOTOR	MOTOR PART NUMBER	GEAR REDUCER	GEAR REDUCER PART NUMBER
DPSL10	10	DRAG-8"	2HP-1450RPM-50HZ- 380V-3P 143TC- 7/8-CLASS B	004-007866	30: 1 140TC-1 1/4	052-008863
DPSL15	15	DRAG-8"	2HP-1450RPM-50HZ- 380V-3P 143TC- 7/8-CLASS B	004-007866	30: 1 140TC-1 1/4	052-008863
DPSL20	20	DRAG-8"	2HP-1450RPM-50HZ- 380V-3P 143TC- 7/8-CLASS B	004-007866	30: 1 140TC-1 1/4	052-008863
DPSL25	25	DRAG-8"	2HP-1450RPM-50HZ- 380V-3P 143TC- 7/8-CLASS B	004-007866	30: 1 140TC-1 1/4	052-008863
DPSL30	30	DRAG-8"	2HP-1450RPM-50HZ- 380V-3P 143TC- 7/8-CLASS B	004-007866	30: 1 140TC-1 1/4	052-008863
DPSL40	40	DRAG-8"	3HP-1450RPM-50H- 380v-3P 182TC-1 1/8-CLASS B	004-007867	20: 1 180TC-1 1/4	052-008864
DPXSL20	20	DRAG-8"	2HP-1450RPM-50HZ- 380V-3P 143TC- 7/8-CLASS B	004-007866	30: 1 140TC-1 1/4	052-008863
DPXSL25	25	DRAG-8"	3HP-1450RPM-50H- 380v-3P 182TC-1 1/8-CLASS B	004-007867	20: 1 180TC-1 1/4	052-008864
DPXSL30	30	DRAG-8"	3HP-1450RPM-50H- 380v-3P 182TC-1 1/8-CLASS B	004-007867	20: 1 180TC-1 1/4	052-008864
DPXSL40	40	DRAG-8" STD. DI S.	3HP-1450RPM-50H- 380v-3P 182TC-1 1/8-CLASS B	004-007867	20: 1 180TC-1 1/4	052-008864
DPX4T20	20	DRAG-8"	2HP-1450RPM-50HZ- 380V-3P 143TC- 7/8-CLASS B	004-007866	30: 1 140TC-1 1/4	052-008863
DPX4T25	25	DRAG-8"	3HP-1450RPM-50H- 380v-3P 182TC-1 1/8-CLASS B	004-007867	20: 1 180TC-1 1/4	052-008864
DPX4T30	30	DRAG-8"	3HP-1450RPM-50H- 380v-3P 182TC-1 1/8-CLASS B	004-007867	20: 1 180TC-1 1/4	052-008864
DPX4T40	40	DRAG-8" STD. DI S.	3HP-1450RPM-50H- 380v-3P 182TC-1 1/8-CLASS B	004-007867	15: 1 180TC-1 1/8	052-008865
DPX8GT20	20	DRAG-8"	3HP-1750RPM-50H- 380v-3P 182TC-1 1/8-CLASS B	004-007867	20: 1 180TC-1 1/4	052-008864
DPX8GT25	25	DRAG-8" STD. DI S.	3HP-1450RPM-50H- 380v-3P 182TC-1 1/8-CLASS B	004-007867	20: 1 180TC-1 1/4	052-008864
DPX8GT30	30	DRAG-8" STD. DI S.	3HP-1450RPM-50H- 380v-3P 182TC-1 1/8-CLASS B	004-007867	20: 1 180TC-1 1/4	052-008864
DPX8GT40	40	DRAG-8" STD. DI S.	3HP-1450RPM-50H- 380v-3P 182TC-1 1/8-CLASS B	004-007867	15: 1 180TC-1 1/8	052-008865
DPX12GT20	20	DRAG-8"	3HP-1450RPM-50H- 380v-3P 182TC-1 1/8-CLASS B	004-007867	20: 1 180TC-1 1/4	052-008864
DPX12GT25	25	DRAG-8" STD. DI S.	3HP-1450RPM-50H- 380v-3P 182TC-1 1/8-CLASS B	004-007867	20: 1 180TC-1 1/4	052-008864
DPX12GT30	30	DRAG-8" STD. DI S.	3HP-1450RPM-50H- 380v-3P 182TC-1 1/8-CLASS B	004-007867	15: 1 180TC-1 1/8	052-008865
DPX12GT40	40	DRAG-8" STD. DI S.	5HP-1450RPM-50HZ- 380v-3P 184TC-1 1/8-CLASS B	004-007868	30: 1 180TC-1 7/8	052-008866
DPX16GT20	20	DRAG-8" STD. DI S.	3HP-1450RPM-50H- 380v-3P 182TC-1 1/8-CLASS B	004-007867	20: 1 180TC-1 1/4	052-008864
DPX16GT25	25	DRAG-8" STD. DI S.	3HP-1450RPM-50H- 380v-3P 182TC-1 1/8-CLASS B	004-007867	20: 1 180TC-1 1/4	052-008864
DPX16GT30	30	DRAG-8" STD. DI S.	3HP-1450RPM-50H- 380v-3P 182TC-1 1/8-CLASS B	004-007867	15: 1 180TC-1 1/8	052-008865
DPX16GT40	40	DRAG-8" STD. DI S.	5HP-1450RPM-50HZ- 380v-3P 184TC-1 1/8-CLASS B	004-007868	30: 1 180TC-1 7/8	052-008866

NOTE: 1. ALL MOTORS SHOWN 380V-3P.

2. DRAG CAPACITIES @ 5 POINTS

30: 1 UP TO 1200 BU/HR DRYER MAX. 1914 BU 2HP (DRAG 8" WIDE X 10" HIGH)
 20: 1 UP TO 2000 BU/HR DRYER MAX. 2871 BU 3HP (DRAG 8" WIDE X 10" HIGH)
 15: 1 UP TO 2720 BU HR DRYER MAX. 3828 BU 3HP (DRAG 8" WIDE X 10" HIGH)
 30: 1 UP TO 3300 BU/HR DRYER MAX. 4437 BU 5HP (DRAG 8" WIDE X 14" HIGH) - DPX12GT/DPX16GT ONLY

3. WHEN ORDERING GEAR REDUCERS STATE: BRAND – RATIO – FRAME – SHAFT DIAMETER.

OPTIONAL DRAG SYSTEM – DI CHARGE AND/OR LEVELING
(FOR LEESON/OHIO GEAR GEAR REDUCERS)
ALL MOTORS - 575V-3P

MODEL	TYPE	MOTOR	MOTOR PART NUMBER	GEAR REDUCER	GEAR REDUCER PART NUMBER
DPSL10	DRAG-8"	2HP-1750RPM-60HZ- 575V-3P 145TC- 7/8-CLASS B	004-007616	30: 1 140TC-1 1/4	052-008863
DPSL15	DRAG-8"	2HP-1750RPM-60HZ- 575V-3P 145TC- 7/8-CLASS B	004-007616	30: 1 140TC-1 1/4	052-008863
DPSL20	DRAG-8"	2HP-1750RPM-60HZ- 575V-3P 145TC- 7/8-CLASS B	004-007616	30: 1 140TC-1 1/4	052-008863
DPSL25	DRAG-8"	2HP-1750RPM-60HZ- 575V-3P 145TC- 7/8-CLASS B	004-007616	30: 1 140TC-1 1/4	052-008863
DPSL30	DRAG-8"	2HP-1750RPM-60HZ- 575V-3P 145TC- 7/8-CLASS B	004-007616	30: 1 140TC-1 1/4	052-008863
DPSL40	DRAG-8"	3HP-1750RPM-60H- 575v-3P 182TC-1 1/8-CLASS B	004-007571	20: 1 180TC-1 1/4	052-008864
DPXSL20	DRAG-8"	2HP-1750RPM-60HZ- 575V-3P 145TC- 7/8-CLASS B	004-007616	30: 1 140TC-1 1/4	052-008863
DPXSL25	DRAG-8"	3HP-1750RPM-60H- 575v-3P 182TC-1 1/8-CLASS B	004-007571	20: 1 180TC-1 1/4	052-008864
DPXSL30	DRAG-8"	3HP-1750RPM-60H- 575v-3P 182TC-1 1/8-CLASS B	004-007571	20: 1 180TC-1 1/4	052-008864
DPXSL40	DRAG-8" STD. DI S.	3HP-1750RPM-60H- 575v-3P 182TC-1 1/8-CLASS B	004-007571	20: 1 180TC-1 1/4	052-008864
DPX4T20	DRAG-8"	2HP-1750RPM-60HZ- 575V-3P 145TC- 7/8-CLASS B	004-007616	30: 1 140TC-1 1/4	052-008863
DPX4T25	DRAG-8"	3HP-1750RPM-60H- 575v-3P 182TC-1 1/8-CLASS B	004-007571	20: 1 180TC-1 1/4	052-008864
DPX4T30	DRAG-8"	3HP-1750RPM-60H- 575v-3P 182TC-1 1/8-CLASS B	004-007571	20: 1 180TC-1 1/4	052-008864
DPX4T40	DRAG-8" STD. DI S.	3HP-1750RPM-60H- 575v-3P 182TC-1 1/8-CLASS B	004-007571	15: 1 180TC-1 1/8	052-008865
DPX8GT20	DRAG-8"	3HP-1750RPM-60H- 575v-3P 182TC-1 1/8-CLASS B	004-007571	20: 1 180TC-1 1/4	052-008864
DPX8GT25	DRAG-8" STD. DI S.	3HP-1750RPM-60H- 575v-3P 182TC-1 1/8-CLASS B	004-007571	20: 1 180TC-1 1/4	052-008864
DPX8GT30	DRAG-8" STD. DI S.	3HP-1750RPM-60H- 575v-3P 182TC-1 1/8-CLASS B	004-007571	20: 1 180TC-1 1/4	052-008864
DPX8GT40	DRAG-8" STD. DI S.	3HP-1750RPM-60H- 575v-3P 182TC-1 1/8-CLASS B	004-007571	15: 1 180TC-1 1/8	052-008865
DPX12GT20	DRAG-8"	3HP-1750RPM-60H- 575v-3P 182TC-1 1/8-CLASS B	004-007571	20: 1 180TC-1 1/4	052-008864
DPX12GT25	DRAG-8" STD. DI S.	3HP-1750RPM-60H- 575v-3P 182TC-1 1/8-CLASS B	004-007571	20: 1 180TC-1 1/4	052-008864
DPX12GT30	DRAG-8" STD. DI S.	3HP-1750RPM-60H- 575v-3P 182TC-1 1/8-CLASS B	004-007571	15: 1 180TC-1 1/8	052-008865
DPX12GT40	DRAG-8" STD. DI S.	5HP-1750RPM-60HZ- 575v-3P 184TC-1 1/8-CLASS B	004-007631	30: 1 180TC-1 7/8	052-008866
DPX16GT20	DRAG-8" STD. DI S.	3HP-1750RPM-60H- 575v-3P 182TC-1 1/8-CLASS B	004-007571	20: 1 180TC-1 1/4	052-008864
DPX16GT25	DRAG-8" STD. DI S.	3HP-1750RPM-60H- 575v-3P 182TC-1 1/8-CLASS B	004-007571	20: 1 180TC-1 1/4	052-008864
DPX16GT30	DRAG-8" STD. DI S.	3HP-1750RPM-60H- 575v-3P 182TC-1 1/8-CLASS B	004-007571	15: 1 180TC-1 1/8	052-008865
DPX16GT40	DRAG-8" STD. DI S.	5HP-1750RPM-60HZ- 575v-3P 184TC-1 1/8-CLASS B	004-007631	30: 1 180TC-1 7/8	052-008866

NOTE: 1. ALL MOTORS SHOWN 575V-3P.

2. **DRAG CAPACITIES @ 5 POINTS**

30: 1 UP TO 1200 BU/HR DRYER MAX. 2310 BU 2HP (DRAG 8" WIDE X 10" HIGH)
 20: 1 UP TO 2000 BU/HR DRYER MAX. 3465 BU 3HP (DRAG 8" WIDE X 10" HIGH)
 15: 1 UP TO 2720 BU HR DRYER MAX. 4620 BU 3HP (DRAG 8" WIDE X 10" HIGH)
 30: 1 UP TO 3300 BU/HR DRYER MAX. 5355 BU 5HP (DRAG 8" WIDE X 14" HIGH) - DPX12GT/DPX16GT ONLY

3. WHEN ORDERING GEAR REDUCERS STATE: BRAND - RATIO - FRAME - SHAFT DIAMETER.

STANDARD DISCHARGE SYSTEM
 (FOR *LEESON/OHIO GEAR* GEAR REDUCERS)
 ALL MOTORS - 230V-1P - 240V-3P - 480V-3P

MODEL	FT	TYPE	MOTOR	MOTOR PART NUMBER	GEAR REDUCER	GEAR REDUCER PART NUMBER
DP10	10	AUGER-8"	1HP-1750RPM-60HZ-115/230V-1P 143TC- 7/8-CLASS B	004-006471	5: 1 140TC-7/8	052-008861
DP15	15	AUGER-8"	1HP-1750RPM-60HZ-115/230V-1P 143TC- 7/8-CLASS B	004-006471	5: 1 140TC-7/8	052-008861
DP20	20	AUGER-8"	1HP-1750RPM-60HZ-115/230V-1P 143TC- 7/8-CLASS B	004-006471	5: 1 140TC-7/8	052-008861
DP30	30	AUGER-8"	2HP-1750RPM-60HZ-115/230V-1P 182TC- 7/8-CLASS B	004-007896	5: 1 180TC-1 1/8	052-008862
DP40	40	AUGER-8"	3HP-1750RPM-60HZ- 230V-1P 184TC-1-1/8-CLASS B	004-006473	5: 1 180TC-1 1/8	052-008862
DPSL10	10	AUGER-8"	1HP-1750RPM-60HZ-240/480V-3P 143TC- 7/8-CLASS B	004-005415	5: 1 140TC-7/8	052-008861
DPSL15	15	AUGER-8"	1HP-1750RPM-60HZ-240/480V-3P 143TC- 7/8-CLASS B	004-005415	5: 1 140TC-7/8	052-008861
DPSL20	20	AUGER-8"	1HP-1750RPM-60HZ-240/480V-3P 143TC- 7/8-CLASS B	004-005415	5: 1 140TC-7/8	052-008861
DPSL25	25	AUGER-8"	2HP-1750RPM-60HZ-240/480V-3P 145TC- 7/8-CLASS B	004-005416	5: 1 140TC-7/8	052-008861
DPSL30	30	AUGER-8"	2HP-1750RPM-60HZ-240/480V-3P 145TC- 7/8-CLASS B	004-005416	5: 1 140TC-7/8	052-008861
DPSL40	40	AUGER-8"	3HP-1750RPM-60HZ-240/480V-3P 182TC-1-1/8-CLASS B	004-001980	5: 1 180TC-1 1/8	052-008862
DPXSL20	20	AUGER-8"	2HP-1750RPM-60HZ-240/480V-3P 145TC- 7/8-CLASS B	004-005416	5: 1 140TC-7/8	052-008861
DPXSL25	25	AUGER-8"	3HP-1750RPM-60HZ-240/480V-3P 182TC-1-1/8-CLASS B	004-001980	5: 1 180TC-1 1/8	052-008862
DPXSL30	30	AUGER-8"	3HP-1750RPM-60HZ-240/480V-3P 182TC-1-1/8-CLASS B	004-001980	5: 1 180TC-1 1/4	052-008862
DPXSL40	40	DRAG-8"	3HP-1750RPM-60HZ-240/480V-3P 182TC-1-1/8-CLASS B	004-001980	20: 1-180TC-1-1/4	052-008864
DPX4T20	20	AUGER-8"	2HP-1750RPM-60HZ-240/480V-3P 145TC- 7/8-CLASS B	004-005416	5: 1 140TC-7/8	052-008861
DPX4T25	25	AUGER-8"	3HP-1750RPM-60HZ-240/480V-3P 182TC-1-1/8-CLASS B	004-001980	5: 1 180TC-1 1/8	052-008862
DPX4T30	30	DRAG-8"	3HP-1750RPM-60HZ-240/480V-3P 182TC-1-1/8-CLASS B	004-001980	20: 1-180TC-1-1/4	052-008864
DPX4T40	40	DRAG-8"	3HP-1750RPM-60HZ-240/480V-3P 182TC-1-1/8-CLASS B	004-001980	15: 1 180TC-1 1/8	052-008865
DPX8GT20	20	AUGER-8"	2HP-1750RPM-60HZ-240/480V-3P 145TC- 7/8-CLASS B	004-005416	5: 1 140TC-7/8	052-008861
DPX8GT25	25	DRAG-8"	3HP-1750RPM-60HZ-240/480V-3P 182TC-1-1/8-CLASS B	004-001980	20: 1-180TC-1-1/4	052-008864
DPX8GT30	30	DRAG-8"	3HP-1750RPM-60HZ-240/480V-3P 182TC-1-1/8-CLASS B	004-001980	20: 1-180TC-1-1/4	052-008864
DPX8GT40	40	DRAG-8"	3HP-1750RPM-60HZ-240/480V-3P 182TC-1-1/8-CLASS B	004-001980	15: 1 180TC-1 1/8	052-008865
DPX12GT20	20	AUGER-8"	2HP-1750RPM-60HZ-240/480V-3P 145TC- 7/8-CLASS B	004-005416	5: 1 140TC-7/8	052-008861
DPX12GT25	25	DRAG-8"	3HP-1750RPM-60HZ-240/480V-3P 182TC-1-1/8-CLASS B	004-001980	20: 1-180TC-1-1/4	052-008864
DPX12GT30	30	DRAG-8"	3HP-1750RPM-60HZ-240/480V-3P 182TC-1-1/8-CLASS B	004-001980	15: 1 180TC-1 1/8	052-008865
DPX12GT40	40	DRAG-8"	5HP-1750RPM-60HZ-240/480V-3P 184TC-1-1/8-CLASS B	004-001982	30: 1 180TC-1-7/8	052-008866
DPX16GT20	20	DRAG-8"	3HP-1750RPM-60HZ-240/480V-3P 182TC-1-1/8-CLASS B	004-001980	20: 1-180TC-1-1/4	052-008864
DPX16GT25	25	DRAG-8"	3HP-1750RPM-60HZ-240/480V-3P 182TC-1-1/8-CLASS B	004-001980	20: 1-180TC-1-1/4	052-008864
DPX16GT30	30	DRAG-8"	3HP-1750RPM-60HZ-240/480V-3P 182TC-1-1/8-CLASS B	004-001980	15: 1 180TC-1 1/8	052-008865
DPX16GT40	40	DRAG-8"	5HP-1750RPM-60HZ-240/480V-3P 184TC-1-1/8-CLASS B	004-001982	30: 1 180TC-1-7/8	052-008866

NOTE: 1. ALL MOTORS SHOWN 240V/480V-3P UNLESS STATED (1P) INDICATING 230V-1P

2. DRAG CAPACITIES @ 5 POINTS

30: 1 UP TO 1200 BU/HR DRYER MAX. 2310 BU 2HP (DRAG 8" WIDE X 10" HIGH)
 20: 1 UP TO 2000 BU/HR DRYER MAX. 3465 BU 3HP (DRAG 8" WIDE X 10" HIGH)
 15: 1 UP TO 2720 BU HR DRYER MAX. 4620 BU 3HP (DRAG 8" WIDE X 10" HIGH)
 30: 1 UP TO 3300 BU/HR DRYER MAX. 5355 BU 5HP (DRAG 8" WIDE X 14" HIGH) - DPX12GT/16GT ONLY

3. WHEN ORDERING GEAR REDUCERS STATE: BRAND - RATIO - FRAME - SHAFT DIAMETER.

STANDARD DISCHARGE SYSTEM
(FOR *LEESON/OHIO GEAR* GEAR REDUCERS)
ALL MOTORS – 380V-3P

MODEL	TYPE	MOTOR	MOTOR PART NUMBER	GEAR REDUCER	GEAR REDUCER PART NUMBER
DPSL10	AUGER-8"	1HP-1450RPM-50HZ- 380V-3P 143TC- 7/8-CLASS B	004-007865	5: 1 140TC-7/8	052-008861
DPSL15	AUGER-8"	1HP-1450RPM-50HZ- 380V-3P 143TC- 7/8-CLASS B	004-007865	5: 1 140TC-7/8	052-008861
DPSL20	AUGER-8"	1HP-1450RPM-50HZ- 380V-3P 143TC- 7/8-CLASS B	004-007865	5: 1 140TC-7/8	052-008861
DPSL25	AUGER-8"	2HP-1450RPM-50HZ- 380V-3P 145TC- 7/8-CLASS B	004-007866	5: 1 140TC-7/8	052-008861
DPSL30	AUGER-8"	2HP-1450RPM-50HZ- 380V-3P 145TC- 7/8-CLASS B	004-007866	5: 1 140TC-7/8	052-008861
DPSL40	AUGER-8"	3HP-1450RPM-50HZ- 380V-3P 182TC-1-1/8-CLASS B	004-007867	5: 1 180TC-1 1/8	052-008862
DPXSL20	AUGER-8"	2HP-1450RPM-50HZ- 380V-3P 145TC- 7/8-CLASS B	004-007866	5: 1 140TC-7/8	052-008861
DPXSL25	AUGER-8"	3HP-1450RPM-50HZ- 380V-3P 182TC-1-1/8-CLASS B	004-007867	5: 1 180TC-1 1/8	052-008862
DPXSL30	AUGER-8"	3HP-1450RPM-50HZ- 380V-3P 182TC-1-1/8-CLASS B	004-007867	5: 1 180TC-1 1/8	052-008862
DPXSL40	DRAG-8"	3HP-1450RPM-50HZ- 380V-3P 182TC-1-1/8-CLASS B	004-007867	20: 1-180TC-1-1/4	052-008864
DPX4T20	AUGER-8"	2HP-1450RPM-50HZ- 380V-3P 145TC- 7/8-CLASS B	004-007866	5: 1 140TC-7/8	052-008861
DPX4T25	AUGER-8"	3HP-1450RPM-50HZ- 380V-3P 182TC-1-1/8-CLASS B	004-007867	5: 1 180TC-1 1/8	052-008862
DPX4T30	DRAG-8"	3HP-1450RPM-50HZ- 380V-3P 182TC-1-1/8-CLASS B	004-007867	20: 1-180TC-1-1/4	052-008864
DPX4T40	DRAG-8"	3HP-1450RPM-50HZ- 380V-3P 182TC-1-1/8-CLASS B	004-007867	15: 1 180TC-1 1/8	052-008865
DPX8GT20	AUGER-8"	2HP-1450RPM-50HZ- 380V-3P 145TC- 7/8-CLASS B	004-007866	5: 1 140TC-7/8	052-008861
DPX8GT25	DRAG-8"	3HP-1450RPM-50HZ- 380V-3P 182TC-1-1/8-CLASS B	004-007867	20: 1-180TC-1-1/4	052-008864
DPX8GT30	DRAG-8"	3HP-1450RPM-50HZ- 380V-3P 182TC-1-1/8-CLASS B	004-007867	20: 1-180TC-1-1/4	052-008864
DPX8GT40	DRAG-8"	3HP-1450RPM-50HZ- 380V-3P 182TC-1-1/8-CLASS B	004-007867	15: 1 180TC-1 1/8	052-008865
DPX12GT20	AUGER-8"	2HP-1450RPM-50HZ- 380V-3P 145TC- 7/8-CLASS B	004-007866	5: 1 140TC-7/8	052-008861
DPX12GT25	DRAG-8"	3HP-1450RPM-50HZ- 380V-3P 182TC-1-1/8-CLASS B	004-007867	20: 1-180TC-1-1/4	052-008864
DPX12GT30	DRAG-8"	3HP-1450RPM-50HZ- 380V-3P 182TC-1-1/8-CLASS B	004-007867	15: 1 180TC-1 1/8	052-008865
DPX12GT40	DRAG-8"	5HP-1450RPM-50HZ- 380V-3P 184TC-1-1/8-CLASS B	004-007868	30: 1 180TC-1-7/8	052-008866
DPX16GT20	DRAG-8"	3HP-1450RPM-50HZ- 380V-3P 182TC-1-1/8-CLASS B	004-007867	20: 1-180TC-1-1/4	052-008864
DPX16GT25	DRAG-8"	3HP-1450RPM-50HZ- 380V-3P 182TC-1-1/8-CLASS B	004-007867	20: 1-180TC-1-1/4	052-008864
DPX16GT30	DRAG-8"	3HP-1450RPM-50HZ- 380V-3P 182TC-1-1/8-CLASS B	004-007867	15: 1 180TC-1 1/8	052-008865
DPX16GT40	DRAG-8"	5HP-1450RPM-50HZ- 380V-3P 184TC-1-1/8-CLASS B	004-007868	30: 1 180TC-1-7/8	052-008866

NOTE: 1. ALL MOTORS SHOWN 380V 3P (50HZ)

2. DRAG CAPACITIES @ 5 POINTS

30: 1 UP TO 1200 BU/HR DRYER MAX. 1914 BU 2HP (DRAG 8" WIDE X 10" HIGH)
20: 1 UP TO 1900 BU/HR DRYER MAX. 2871 BU 3HP (DRAG 8" WIDE X 10" HIGH)
15: 1 UP TO 2560 BU HR DRYER MAX. 3828 BU 3HP (DRAG 8" WIDE X 10" HIGH)
30: 1 UP TO 2880 BU/HR DRYER MAX. 4437 BU 5HP (DRAG 8" WIDE X 14" HIGH) - DPX12GT/16GT ONLY

3. WHEN ORDERING GEAR REDUCERS STATE: BRAND - RATIO - FRAME - SHAFT DIAMETER.

01/01/20

STANDARD DISCHARGE SYSTEM
(FOR *LEESON/OHIO GEAR* GEAR REDUCERS)
ALL MOTORS - 575V-3P

MODEL	TYPE	MOTOR	MOTOR PART NUMBER	GEAR REDUCER	GEAR REDUCER PART NUMBER
DPSL10	AUGER-8"	1HP-1750RPM-60HZ- 575V-3P 143TC- 7/8-CLASS B	004-007424	5: 1 140TC-7/8	052-008861
DPSL15	AUGER-8"	1HP-1750RPM-60HZ- 575V-3P 143TC- 7/8-CLASS B	004-007424	5: 1 140TC-7/8	052-008861
DPSL20	AUGER-8"	1HP-1750RPM-60HZ- 575V-3P 143TC- 7/8-CLASS B	004-007424	5: 1 140TC-7/8	052-008861
DPSL25	AUGER-8"	2HP-1750RPM-60HZ- 575V-3P 145TC- 7/8-CLASS B	004-007616	5: 1 140TC-7/8	052-008861
DPSL30	AUGER-8"	2HP-1750RPM-60HZ- 575V-3P 145TC- 7/8-CLASS B	004-007616	5: 1 140TC-7/8	052-008861
DPSL40	AUGER-8"	3HP-1750RPM-60HZ- 575V-3P 182TC-1-1/8-CLASS B	004-007571	5: 1 180TC-1 1/8	052-008862
DPXSL20	AUGER-8"	2HP-1750RPM-60HZ- 575V-3P 145TC- 7/8-CLASS B	004-007616	5: 1 140TC-7/8	052-008861
DPXSL25	AUGER-8"	3HP-1750RPM-60HZ- 575V-3P 182TC-1-1/8-CLASS B	004-007571	5: 1 180TC-1 1/8	052-008862
DPXSL30	AUGER-8"	3HP-1750RPM-60HZ- 575V-3P 182TC-1-1/8-CLASS B	004-007571	5: 1 180TC-1 1/8	052-008862
DPXSL40	DRAG-8"	3HP-1750RPM-60HZ- 575V-3P 182TC-1-1/8-CLASS B	004-007571	20: 1-180TC-1-1/4	052-008864
DPX4T20	AUGER-8"	2HP-1750RPM-60HZ- 575V-3P 145TC- 7/8-CLASS B	004-007616	5: 1 140TC-7/8	052-008861
DPX4T25	AUGER-8"	3HP-1750RPM-60HZ- 575V-3P 182TC-1-1/8-CLASS B	004-007571	5: 1 180TC-1 1/8	052-008862
DPX4T30	DRAG-8"	3HP-1750RPM-60HZ- 575V-3P 182TC-1-1/8-CLASS B	004-007571	20: 1-180TC-1-1/4	052-008864
DPX4T40	DRAG-8"	3HP-1750RPM-60HZ- 575V-3P 182TC-1-1/8-CLASS B	004-007571	15: 1 180TC-1 1/8	052-008865
DPX8GT20	AUGER-8"	2HP-1750RPM-60HZ- 575V-3P 145TC- 7/8-CLASS B	004-007616	5: 1 140TC-7/8	052-008861
DPX8GT25	DRAG-8"	3HP-1750RPM-60HZ- 575V-3P 182TC-1-1/8-CLASS B	004-007571	20: 1-180TC-1-1/4	052-008864
DPX8GT30	DRAG-8"	3HP-1750RPM-60HZ- 575V-3P 182TC-1-1/8-CLASS B	004-007571	20: 1-180TC-1-1/4	052-008864
DPX8GT40	DRAG-8"	3HP-1750RPM-60HZ- 575V-3P 182TC-1-1/8-CLASS B	004-007571	15: 1 180TC-1 1/8	052-008865
DPX12GT20	AUGER-8"	2HP-1750RPM-60HZ- 575V-3P 145TC- 7/8-CLASS B	004-007616	5: 1 140TC-7/8	052-008861
DPX12GT25	DRAG-8"	3HP-1750RPM-60HZ- 575V-3P 182TC-1-1/8-CLASS B	004-007571	20: 1-180TC-1-1/4	052-008864
DPX12GT30	DRAG-8"	3HP-1750RPM-60HZ- 575V-3P 182TC-1-1/8-CLASS B	004-007571	15: 1 180TC-1 1/8	052-008865
DPX12GT40	DRAG-8"	5HP-1750RPM-60HZ- 575V-3P 184TC-1-1/8-CLASS B	004-007631	30: 1 180TC-1-7/8	052-008866
DPX16GT20	DRAG-8"	3HP-1750RPM-60HZ- 575V-3P 182TC-1-1/8-CLASS B	004-007571	20: 1-180TC-1-1/4	052-008864
DPX16GT25	DRAG-8"	3HP-1750RPM-60HZ- 575V-3P 182TC-1-1/8-CLASS B	004-007571	20: 1-180TC-1-1/4	052-008864
DPX16GT30	DRAG-8"	3HP-1750RPM-60HZ- 575V-3P 182TC-1-1/8-CLASS B	004-007571	15: 1 180TC-1 1/8	052-008865
DPX16GT40	DRAG-8"	5HP-1750RPM-60HZ- 575V-3P 184TC-1-1/8-CLASS B	004-007631	30: 1 180TC-1-7/8	052-008866

NOTE: 1. ALL MOTORS SHOWN 575V 3P

2. DRAG CAPACITIES @ 5 POINTS

30: 1 UP TO 1200 BU/HR DRYER MAX. 2310 BU 2HP (DRAG 8" WIDE X 10" HIGH)
20: 1 UP TO 1900 BU/HR DRYER MAX. 3465 BU 3HP (DRAG 8" WIDE X 10" HIGH)
15: 1 UP TO 2560 BU HR DRYER MAX. 4620 BU 3HP (DRAG 8" WIDE X 10" HIGH)
30: 1 UP TO 2880 BU/HR DRYER MAX. 5355 BU 5HP (DRAG 8" WIDE X 14" HIGH) - DPX12GT/16GT ONLY

3. WHEN ORDERING GEAR REDUCERS STATE: BRAND - RATIO - FRAME - SHAFT DIAMETER.

01/01/20

SHEAVES & BUSHINGS
STANDARD LEVELING SYSTEM
(AUGER)
230V-1P & 240/480/575V-3P & 380V-3P 50HZ

MODEL	MOTOR		AUGER	
	SHEAVE	BUSHING	SHEAVE	BUSHING
DP10	2B3.4	SH 7/8	2B15.4	SK 1-1/4
DP15	2B3.4	SH 1-1/8	2B15.4	SK 1-1/4
DP20	2B3.4	SH 1-1/8	2B15.4	SK 1-1/4
DP30	2B3.4	SH 1-1/8	2B15.4	SK 1-1/4
DP40	2B3.4	SH 1-1/8	2B15.4	SK 1-1/4
DPSL10	1B3.4	SH 7/8	2B15.4	SK 1-1/4
DPSL15	2B3.4	SH 7/8	2B15.4	SK 1-1/4
DPSL20	2B3.4	SH 7/8	2B15.4	SK 1-1/4
DPSL25	2B3.4	SH 1-1/8	2B15.4	SK 1-1/4
DPSL30	2B3.4	SH 1-1/8	2B15.4	SK 1-1/4
DPSL40	2B3.4	SH 1-1/8	2B15.4	SK 1-1/4
DPXSL20	2B3.4	SH 7/8	2B15.4	SK 1-1/4
DPXSL25	2B3.4	SH 1-1/8	2B15.4	SK 1-1/4
DPXSL30	2B3.4	SH 1-1/8	2B15.4	SK 1-1/4
DPXSL40	3B3.4	SH 1-3/8	3B15.4	SK 1-1/4
DPX4T20	2B3.4	SH 1-1/8	2B15.4	SK 1-1/4
DPX4T25	2B3.4	SH 1-1/8	2B15.4	SK 1-1/4
DPX4T30	2B3.4	SH 1-1/8	2B15.4	SK 1-1/4
DPX4T40	3B3.4	SH 1-3/8	3B15.4	SK 1-1/4
DPX8GT20	2B3.4	SH 1-1/8	2B15.4	SK 1-1/4
DPX8GT25	2B3.4	SH 1-1/8	2B15.4	SK 1-1/4
DPX8GT30	2B3.4	SH 1-1/8	2B15.4	SK 1-1/4
DPX8GT40	3B3.4	SH 1-3/8	3B15.4	SK 1-1/4
DPX12GT20	2B3.4	SH 1-1/8	2B15.4	SK 1-1/4
DPX12GT25	2B3.4	SH 1-1/8	2B15.4	SK 1-1/4
DPX12GT30	2B3.4	SH 1-1/8	2B15.4	SK 1-1/4
DPX12GT40	3B3.4	SH 1-3/8	3B15.4	SK 1-1/4
DPX16GT20	2B3.4	SH 1-1/8	2B15.4	SK 1-1/4
DPX16GT25	2B3.4	SH 1-1/8	2B15.4	SK 1-1/4
DPX16GT30	2B3.4	SH 1-1/8	2B15.4	SK 1-1/4
DPX16GT40	3B3.4	SH 1-3/8	3B15.4	SK 1-1/4

NOTE: 1. USE BELT P/N: 049-007874 (B76).

2. REFER TO SHEAVE-BUSHING-BELT PAGE FOR PART NUMBERS.

01/01/20

SPROCKET CHART FOR 1 1/4" AUGER SHAFTS

230V-1P – 240V-3P – 480V-3P - 575V-3P

MODEL	METERING ROLLS	DC GEAR REDUCER	AUGER REDUCER	AUGER SHAFT
DP10	4032-1	4012-1	4016-7/8	4024-1 1/4
DP15	4032-1	4012-1	4016-7/8	4024-1 1/4
DP20	4032-1	4012-1	4016-7/8	4024-1 1/4
DP30	4032-1	4012-1	4016-1 1/8	4016-1 1/4
DP40	4032-1	4012-1	4024-1 1/8	4024-1 1/4
DPSL10	4032-1	4012-1	4016-7/8	4024-1 1/4
DPSL15	4032-1	4012-1	4016-7/8	4024-1 1/4
DPSL20	4032-1	4012-1	4016-7/8	4024-1 1/4
DPSL25	4032-1	4012-1	4016-7/8	4016-1 1/4
DPSL30	4032-1	4012-1	4016-7/8	4016-1 1/4
DPSL40	4032-1	4012-1	4024-1 1/8	4024-1 1/4
DPXSL20	4032-1	4016-1	4016-7/8	4016-1 1/4
DPXSL25	4032-1	4016-1	4024-1 1/8	4024-1 1/4
DPXSL30	4032-1	4016-1	4024-1 1/8	4024-1 1/4
DPXSL40	4032-1	4016-1	REFER TO DRAG CONVEYOR PARTS	
DPX4T20	4032-1	4024-1	4016-7/8	4016-1 1/4
DPX4T25	4032-1	4024-1	4024-1 1/8	4024-1 1/4
DPX4T30	4032-1	4024-1	REFER TO DRAG CONVEYOR PARTS	
DPX4T40	4032-1	4024-1	REFER TO DRAG CONVEYOR PARTS	
DPX8GT20	4032-1	4024-1	4024-7/8	4024-1 1/4
DPX8GT25	4032-1	4024-1	REFER TO DRAG CONVEYOR PARTS	
DPX8GT30	4032-1	4024-1	REFER TO DRAG CONVEYOR PARTS	
DPX8GT40	4032-1	4024-1	REFER TO DRAG CONVEYOR PARTS	
DPX12GT20	4032-1	4026-1	4024-7/8	4024-1 1/4
DPX12GT25	4032-1	4026-1	REFER TO DRAG CONVEYOR PARTS	
DPX12GT30	4032-1	4026-1	REFER TO DRAG CONVEYOR PARTS	
DPX12GT40	4032-1	4026-1	REFER TO DRAG CONVEYOR PARTS	
DPX16GT20	4032-1	4026-1	REFER TO DRAG CONVEYOR PARTS	
DPX16GT25	4032-1	4026-1	REFER TO DRAG CONVEYOR PARTS	
DPX16GT30	4032-1	4026-1	REFER TO DRAG CONVEYOR PARTS	
DPX16GT40	4032-1	4026-1	REFER TO DRAG CONVEYOR PARTS	

- NOTE: 1. THE METERING IDLER SPROCKET 4017-1/2 IS THE SAME FOR ALL DRYERS.
 2. REFER TO SPROCKET PAGE FOR PART NUMBERS.

01/01/20

SPROCKET CHART FOR 1 1/4" AUGER SHAFTS

380V-3P

MODEL	METERING ROLLS	DC GEAR REDUCER	AUGER REDUCER	AUGER SHAFT
DPSL10	4032-1	4012-1	4016-7/8	4020-1 1/4
DPSL15	4032-1	4012-1	4016-7/8	4020-1 1/4
DPSL20	4032-1	4012-1	4016-7/8	4020-1 1/4
DPSL25	4032-1	4012-1	4020-7/8	4016-1 1/4
DPSL30	4032-1	4012-1	4020-7/8	4016-1 1/4
DPSL40	4032-1	4012-1	4024-1 1/8	4020-1 1/4
DPXSL20	4032-1	4016-1	4020-7/8	4020-1 1/4
DPXSL25	4032-1	4016-1	4024-1 1/8	4020-1 1/4
DPXSL30	4032-1	4016-1	4024-1 1/8	4020-1 1/4
DPXSL40	4032-1	4016-1	REFER TO DRAG CONVEYOR PARTS	
DPX4T20	4032-1	4024-1	4020-7/8	4016-1 1/4
DPX4T25	4032-1	4024-1	4024-1 1/8	4020-1 1/4
DPX4T30	4032-1	4024-1	REFER TO DRAG CONVEYOR PARTS	
DPX4T40	4032-1	4024-1	REFER TO DRAG CONVEYOR PARTS	
DPX8GT20	4032-1	4024-1	4020-7/8	4020-1 1/4
DPX8GT25	4032-1	4024-1	REFER TO DRAG CONVEYOR PARTS	
DPX8GT30	4032-1	4024-1	REFER TO DRAG CONVEYOR PARTS	
DPX8GT40	4032-1	4024-1	REFER TO DRAG CONVEYOR PARTS	
DPX12GT20	4032-1	4026-1	4016-7/8	4024-1 1/4
DPX12GT25	4032-1	4026-1	REFER TO DRAG CONVEYOR PARTS	
DPX12GT30	4032-1	4026-1	REFER TO DRAG CONVEYOR PARTS	
DPX12GT40	4032-1	4026-1	REFER TO DRAG CONVEYOR PARTS	
DPX16GT20	4032-1	4026-1	REFER TO DRAG CONVEYOR PARTS	
DPX16GT25	4032-1	4026-1	REFER TO DRAG CONVEYOR PARTS	
DPX16GT30	4032-1	4026-1	REFER TO DRAG CONVEYOR PARTS	
DPX16GT40	4032-1	4026-1	REFER TO DRAG CONVEYOR PARTS	

- NOTE: 1. THE METERING IDLER SPROCKET 4017-1/2 IS THE SAME FOR ALL DRYERS.
 2. REFER TO SPROCKET PAGE FOR PART NUMBERS.

WARNING: Installation and use of this product must be in compliance with all Engineered Controls International, Inc. instructions as well as requirements and provisions of NFPA #54, NFPA #58, DOT, ANSI, all applicable federal, state, provincial and local standards, codes, regulations and laws. Inspect regularly. Replace as required. The safe useful life of a regulator is less than 15 years in most applications.

Installation and inspections should be performed only by qualified personnel.

Be sure all instructions are read and understood before installation, operation and maintenance. These instructions must be passed along to the end user of the products.

CAUTION: Contact or inhalation of liquid propane, ammonia and their vapors can cause serious injury or death! NH₃ and LP-Gas must be released outdoors in air currents that will insure dispersion to prevent exposure to people and livestock. LP-Gas must be kept far enough from any open flame or other source of ignition to prevent fire or explosion! LP-Gas is heavier than air and will not disperse or evaporate rapidly if released in still air.

NOTE: All ECII® products are mechanical devices that will eventually become inoperative due to wear, contaminants, corrosion and aging of components made of materials such as metal and rubber. As a general recommendation, regulators should be replaced in 15 years or less.

The environment and conditions of use will determine the safe service life of these products. Periodic inspection and maintenance are essential.

Because ECII® products have a long and proven record of quality and service, LP-Gas dealers may forget the hazards that can occur because a regulator is used beyond its safe service life. The life of a regulator is determined by the environment in which it "lives". The LP-Gas dealer knows better than anyone what this environment is.

There is a developing trend in state legislation and in proposed national legislation to make the owners of products responsible for replacing products before they reach the end of their safe useful life. LP-Gas dealers should be aware of legislation which could affect them.

FOREWORD:

The 1580 Series Regulators are designed to reduce LP-Gas pressure to between 3 and 125 PSIG. They are accurate and dependable over a wide range of operating conditions, and come in a variety of sizes, capacities and designs to suit your needs. Precision built with multi-million BTU capacity, 1580 Series Regulators are perfect for big, tough jobs such as crop drying, asphalt batch mixing, road building (tar wagons), heat treating, high volume space heating and other large industrial and commercial loads. Ideal as a first stage regulator, the large nozzle and straight-through flow provide high capacities and maximum resistance to freeze-ups. The AA1580 series is ideal for use in anhydrous ammonia applications such as blue print machines and heat treating.

Installation:

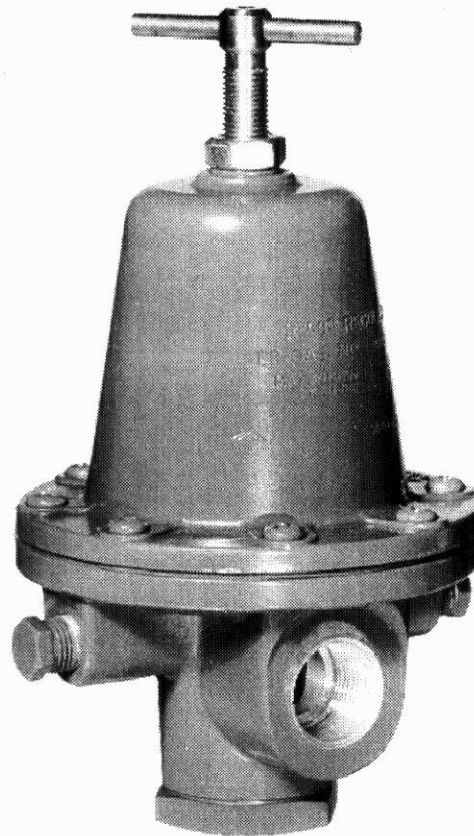
Clean dirt and foreign material from all piping and fittings. Be sure the regulator inlet and outlet are correctly installed in-line according to the designed flow pattern. The regulator can only be used indoors in accordance with NFPA #58. The regulator must be positioned to protect the vent from the elements of ice, snow drifts, rain, dirt, bugs, paint, or other foreign material. The 1580 Series Regulators are designed for use in both vapor and liquid service, but caution must be exercised with liquid service where the application involves trapping liquid between the regulator and a shut-off valve, either upstream or downstream of the regulator. Any hose or piping that may hold trapped liquid should be protected by installing an ECII® 3127 Series Hydrostatic Relief Valve, or the equivalent.

**1580 & AA1580 Series
Adjustable
High Pressure Regulators
Installation and Adjustment**

Adjustment:

The 1580 Series Regulator delivers any pressure within the range of the spring size selected. Please follow the "recommended" ranges shown in the chart. Adjustments are made by loosening the locknut securing the adjusting screw in the bonnet. Turning the adjusting screw down (clockwise) increases the delivery pressure. Turning the adjusting screw up (counterclockwise) decreases the delivery pressure.

Regulator Series	Part Number Suffix	Delivery Pressure Range, PSIG	
		Recommended	Actual
1580	H	45 - 125	0 - 125
	L	25 - 50	0 - 50
	N	3 - 30	0 - 30
AA1580	H	45 - 125	0 - 125
	L	20 - 50	0 - 50
	K, W	3 - 25	0 - 30



1580 Series

NOTICE

LP-Gas is extremely flammable and explosive. Failure to install parts exactly as described in the instructions could result in a product that will not perform satisfactorily. Even if parts are correctly installed, the product might fail to perform satisfactorily if other parts are worn, corroded or dirty. Improper repair can cause leaks and malfunction, which could result in bodily injury and property damage. **Any such use or installation of parts must ONLY be done by experienced and trained personnel using accepted governmental and industrial safety procedures.**

Most Engineered Controls International, Inc. products are listed with Underwriters Laboratories as manufactured. If repaired, the continued validity of the UL listing is contingent upon proper inspection to determine what needs repairing, proper repair using Engineered Controls International, Inc. parts and procedures, and proper testing for leakage and performance following repairs and installation.

Engineered Controls International, Inc. assumes no responsibility or liability for performance of products repaired in the field. It must be clearly understood that the person or organization repairing the product assumes total responsibility for performance of the product.

LIMITED WARRANTY AND LIMITATION OF LIABILITY

Limited Warranty

Engineered Controls International, Inc. warrants products and repair kits manufactured by it to be free from defects in materials and workmanship under normal use and service for a period of 12 months from the date of installation or operation or 18 months from the date of shipment from the factory, whichever is earlier. If within thirty days after buyer's discovery of what buyer believes is a defect, buyer notifies Engineered Controls International, Inc. thereof in writing, Engineered Controls International, Inc., at its option, and within forty-five days, will repair, replace F.O.B. point of manufacture, or refund the purchase price of that part or product found by it to be defective. Failure of buyer to give such written notice within thirty days shall be deemed an absolute and unconditional waiver of any and all claims of buyer arising out of such defect.

This warranty does not extend to any product or part that is not installed and used in accordance with Engineered Controls International, Inc.'s printed instructions, all applicable state and local regulations, and all applicable national standards, such as those promulgated by NFPA, DOT and ANSI. This warranty does not extend to any product or part that has been damaged by accident, misuse, abuse or neglect, nor does it extend to any product or part which has been modified, altered, or repaired in the field.

Except as expressly set forth above, and subject to the limitation of liability below, Engineered Controls International, Inc. makes **NO OTHER WARRANTY, EXPRESS OR IMPLIED, INCLUDING, BUT NOT LIMITED TO THE IMPLIED WARRANTIES OF MERCHANTABILITY AND FITNESS FOR A PARTICULAR PURPOSE, with respect to its products and parts, whether used alone or in combination with others.** Engineered Controls International, Inc. disclaims all warranties not stated herein.

Limitation of Liability

Engineered Controls International, Inc.'s total liability for any and all losses and damages arising out of any cause whatsoever shall in no event exceed the purchase price of the

products or parts in respect of which such cause arises, whether such cause be based on theories of contract, negligence, strict liability, tort or otherwise.

Engineered Controls International, Inc. shall not be liable for incidental, consequential or punitive damages or other losses. Engineered Controls International, Inc. shall not be liable for, and buyer assumes liability for, all personal injury and property damage connected with the handling, transportation, possession, further manufacture, other use or resale of products, whether used alone or in combination with any other products or material.

If Engineered Controls International, Inc. furnishes technical advice to buyer, whether or not at buyer's request, with respect to application, further manufacture or other use of the products and parts, Engineered Controls International, Inc. shall not be liable for such technical advice and buyer assumes all risks of such advice and the results thereof.

NOTE: Some states do not allow the exclusion or limitation of incidental or consequential damages, so the above limitation or exclusion may not apply to you. This warranty gives you specific legal rights, and you may have other rights that vary from State to State. The portions of this limited warranty and limitation of liability shall be considered severable and all portions which are not disallowed by applicable law shall remain in full force and effect.

WARNING

All Engineered Controls International, Inc. products are mechanical devices that will eventually become inoperative due to wear, corrosion and aging of components made of materials such as rubber, etc. The environment and conditions of use will determine the safe service life of these products. Periodic inspection and maintenance are essential to avoid serious injury and property damage.

Many Engineered Controls International, Inc. products are manufactured components which are incorporated by others on or in other products or systems used for storage, transport, transfer and otherwise for use of toxic, flammable and dangerous liquids and gases. Such substances must be handled by experienced and trained personnel only, using accepted governmental and industrial safety procedures.

NOTICE TO USERS OF PRODUCTS

The Limited Warranty stated above is a factory warranty to the first purchasers of Engineered Controls International, Inc. products. Since most users have purchased these products from Engineered Controls International, Inc. distributors, the user must within thirty (30) days after the user's discovery of what user believes is a defect, notify in writing the distributor from whom he purchased the product/parts. The distributor may or may not at the distributor's option, choose to submit the product/parts to Engineered Controls International, Inc., pursuant to its Limited Warranty. Failure by buyer to give such written notice within thirty (30) days shall be deemed an absolute and unconditional waiver of buyer's claim for such defects. Acceptance of any alleged defective product/parts by Engineered Controls International, Inc.'s distributor for replacement or repair under the terms of Engineered Controls International, Inc.'s Limited Warranty in no way obligates Engineered Controls International, Inc. to the terms of the above warranty.

Because of a policy of continuous product improvement, Engineered Controls International, Inc. reserves the right to change designs, materials or specifications without notice.

ECI Engineered Controls
International, Inc.

Printed in the USA 02-0692-0491
Instruction Sheet 1580-300

100 RegO Drive PO Box 247 Elon College, NC 27244 USA Phone (919) 449-7707 Fax (919) 449-6594 Telex 253204

Quick-Acting Valves for Crop Driers and Charging Manifold Hoses

7554 Series

Application

7554S Series valves provide instant shut-off and fast opening control on LP-Gas crop driers. They are also ideal for charging manifold hoses, stationary fuel transfer hoses and other applications requiring quick, positive shut-off. They are not for use with delivery truck hoses because the handle could snag on the ground and open the valve as the hose is reeled back to the truck.

7554L Series valves feature a locking handle device to help prevent accidental opening of the valve. It is ideal for all the same applications as the 7554S Series and may be used on delivery trucks as it incorporates the locking handle design.

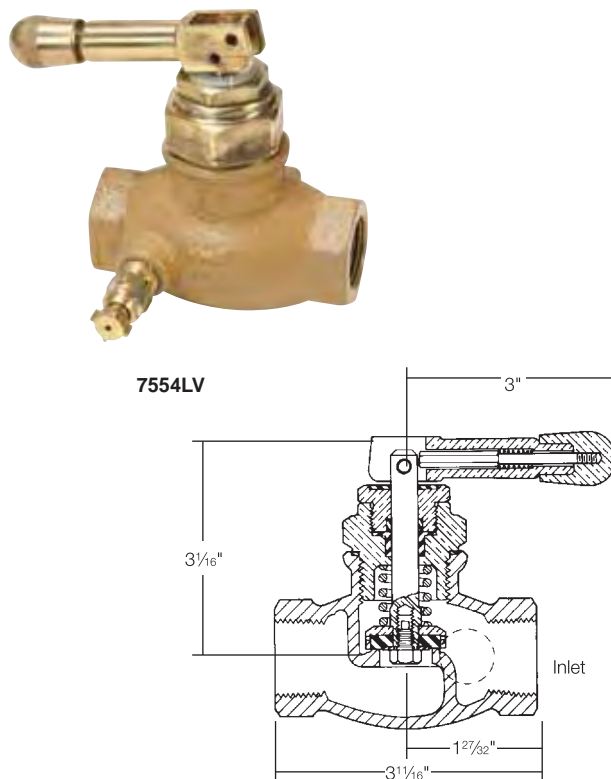
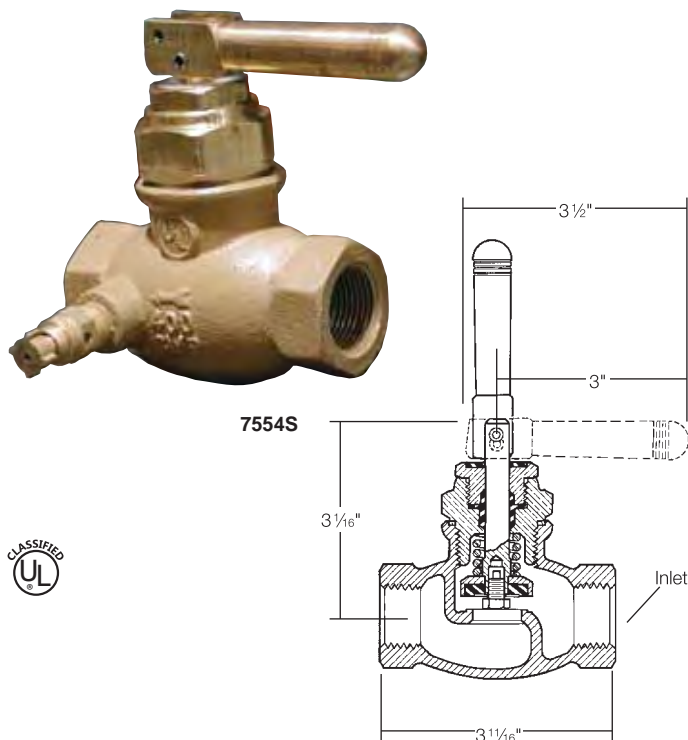
Both valve series must be installed so that flow through the valve is opposite to that of a conventional globe valve. This allows the inlet flow to assist in closing the valve and prevents the valve from being opened by high pump pressures.

Features

- Quick-acting design speeds transfer operations, permitting rapid, one-handed opening and closing.
- Resilient seat disc provides positive shut-off.
- Flange seal stem design provides for leak-proof operation. No packing to retighten or replace.
- 7554L Series incorporates locking handle to prevent accidental opening of the valve.
- Vent valve installed on the downstream side of the valve permits bleeding of trapped product to assure safe uncoupling.
- Swivel seat disc minimizes grinding on the body seat and assures longer service life.

Materials

Body	Ductile Iron
Bonnet	Brass
"V"-Ring	Teflon
Stem	Stainless Steel
Seat Disc	Synthetic Elastomer
ACME Connector	Aluminum w/Steel Insert
Seal Housing	Stainless Steel
Lever	Stainless Steel



Ordering Information

Part Number	Inlet & Outlet Connection (F. NPT)	Locking Handle	Flow At 1 PSIG (Cv) Pressure Drop* (GPM/Propane)
7554SAV	1/2"	No	7.3
7554LAV		Yes	
7554SV	3/4"	No	11.3
7554LV		Yes	

* To obtain approximate flow at other than 1 PSIG pressure drop, multiply flow in table by square root of pressure drop. Example: 7554LV @ 9 PSIG = 11.5 X $\sqrt{9}$ = 34.5 GPM/propane.

Safety Warning — LP-Gas Pressure Relief Valves

Purpose

In its continuing quest for safety, REGO® is publishing safety warning bulletins explaining the hazards associated with the use, misuse and aging of REGO® Products. LP-Gas dealer managers and service personnel must realize that the failure to exercise the utmost care and attention in the installation, inspection and maintenance of these products can result in personal injury and property damage.

The National Fire Protection Association Pamphlet #58 - 2004 Edition, "Liquified Petroleum Gas Code" states in Section 1.5 that, "persons who transfer liquid LP-Gas, who are employed to transport LP-Gas, or whose primary duties fall within the scope of this code shall be trained in proper handling procedures. Refresher training shall be provided at least every three years. The training shall be documented. REGO® Warning Bulletins are useful in training new employees and reminding older employees of potential hazards.

This Warning Bulletin should be provided to all purchasers of REGO® and all personnel using or servicing these products. Additional copies are available from REGO® and your Authorized REGO® Distributor.

WARNING

What You Must Do:

- **Read This Entire Warning**
- **Install Properly**
- **Inspect Regularly**

Scope

This bulletin applies to pressure relief valves installed on stationary, portable and cargo containers and piping systems utilized with these containers. This bulletin is not intended to be an exhaustive treatment of this subject and does not cover all safety practices that should be followed in the installation and maintenance of LP-Gas systems. Each LP-Gas employee should be provided with a copy of NPGA Safety Pamphlet 306 "LP-Gas Regulator and Valve Inspection and Maintenance" as well as the NPGA "LP-Gas Training Guidebooks" relating to this subject.

Warnings should be as brief as possible. If there is a simple warning, it is:

Inspect pressure relief valves regularly. Replace unsafe or suspect valves immediately. Use common sense.

Inspect Regularly

A pressure relief valve discharges when some extraordinary circumstance causes an over pressure condition in the container. If a pressure relief valve is known to have discharged, the relief valve, as well as the entire system, should be immediately and thoroughly inspected to determine the reason for the discharge. In the case of discharge due to fire, the valve should be removed from service and replaced.

Relief valves should be inspected each time the container is filled but no less than once a year. If there is any doubt about the condition of the valve, it must be replaced.

Eye protection must be worn when performing inspection on relief valves under pressure. Never look directly into a relief valve under pressure or place any part of your body where the relief valve discharge could impact it. In some cases a flashlight and a small mirror are suggested to assist when making visual inspections.

To Properly Inspect A Pressure Relief Valve, Check For:

- 1. A rain cap.** Check protective cap located in valve or at end of pipeaway for a secure fit. Protective caps help protect the relief valve against possible malfunction caused by rain, sleet, snow, ice, sand, dirt, pebbles, insects, other debris and contamination. **REPLACE DAMAGED OR MISSING CAPS AT ONCE AND KEEP A CAP IN PLACE AT ALL TIMES**
- 2. Open weep holes.** Dirt, ice, paint and other foreign particles can prevent proper drainage from the valve body. **IF THE WEEP HOLES CANNOT BE CLEARED, REPLACE THE VALVE.**
- 3. Deterioration and corrosion on relief valve spring.** Exposure to high concentrations of water, salt, industrial pollutants, chemicals and roadway contaminants could cause metal parts to fail. **IF THE COATING ON THE RELIEF VALVE SPRING IS CRACKED OR CHIPPED, REPLACE THE VALVE.**

Replace Pressure Relief Valves In 10 Years Or Less

The safe useful life of pressure relief valves can vary greatly depending on the environment in which they live.

Relief valves are required to function under widely varying conditions. Corrosion, aging of the resilient seat disc and friction all proceed at different rates depending upon the nature of the specific environment and application. Gas impurities, product misuse and improper installations can shorten the safe life of a relief valve.

Predicting the safe useful life of a relief valve obviously is not an exact science. The conditions to which the valve is subjected will vary widely and will determine its useful life. In matters of this kind, only basic guidelines can be suggested. For example, the Compressed Gas Association Pamphlet S-1.1 Pressure Relief Device Standards — Cylinders, section 9.1.1 requires all cylinders used in industrial motor fuel service to have the cylinder's pressure relief valves replaced by new or unused relief valves within twelve years of the date of manufacture of cylinder and within each ten years thereafter. The LP-Gas dealer must observe and determine the safe useful life of relief valves in his territory. The valve manufacturer can only make recommendations for the continuing safety of the industry.

4. Physical damage. Ice accumulations and improper installation could cause mechanical damage. **IF THERE ARE ANY INDICATIONS OF DAMAGE, REPLACE THE VALVE.**

5. Tampering or readjustment. Pressure relief valves are factory set to discharge at specified pressures. **IF THERE ARE ANY INDICATIONS OF TAMPERING OR READJUSTMENT, REPLACE THE VALVE.**

6. Seat leakage. Check for leaks in the seating area using a noncorrosive leak detection solution. **REPLACE THE VALVE IF THERE IS ANY INDICATION OF LEAKAGE.** Never force a relief valve closed and continue to leave it in service. This could result in damage to the valve and possible rupture of the container or piping on which the valve is installed.

7. Corrosion and contamination. **REPLACE THE VALVE IF THERE ARE ANY SIGNS OF CORROSION OR CONTAMINATION ON THE VALVE.**

8. Moisture, foreign particles or contaminants in the valve. Foreign material such as paint, tar or ice in relief valve parts can impair the proper functioning of the valves. Grease placed in the valve body may harden over time or collect contaminants, thereby impairing the proper operation of the relief valve. **DO NOT PLACE GREASE IN THE VALVE BODY, REPLACE THE VALVE IF THERE ARE ANY INDICATIONS OF MOISTURE OR FOREIGN MATTER IN THE VALVE.**

9. Corrosion or leakage at container connection. Check container to valve connection with a non-corrosive leak detection solution. **REPLACE THE VALVE IF THERE IS ANY INDICATION OF CORROSION OR LEAKAGE AT THE CONNECTION BETWEEN THE VALVE AND CONTAINER.**

CAUTION: Never plug the outlet of a pressure relief valve. Any device used to stop the flow of a properly operating pressure relief valve that is venting an overfilled or overpressurized container - raises serious safety concerns!

WARNING: Under normal conditions, the useful safe service life of a pressure relief valve is 10 years from the original date of manufacture. However, the safe useful life of the valve may be shortened and replacement required in less than 10 years depending on the environment in which the valve lives. Inspection and maintenance of pressure relief valves is very important. Failure to properly inspect and maintain pressure relief valves could result in personal injuries or property damage.

For Additional Information Read:

1. CGA Pamphlet S-1.1 Pressure Relief Standards - Cylinders, Section 9.1.1.
2. REGO® Catalog L-500.
3. REGO® Warning # 8545-500.
4. NPGA Safety Pamphlet 306 "LP-Gas Regulator and Valve Inspection and Maintenance" and "LP-Gas Training Guidebooks".
5. NFPA # 58, "Storage and Handling of Liquefied Petroleum Gases".
6. NFPA # 59, "LP-Gases at Utility Gas Plants".
7. ANSI K61.1 Safety Requirements for Storage and Handling of Anhydrous Ammonia.

RegO® Pressure Relief Valves

Requirements for Pressure Relief Valves

Every container used for storing or hauling LP-Gas and anhydrous ammonia must be protected by a pressure relief valve. These valves must guard against the development of hazardous conditions which might be created by any of the following:

- Hydrostatic pressures due to overfilling or the trapping of liquid between two points.
- High pressures resulting from exposure of the container to excessive external heat.
- High pressures due to the use of incorrect fuel.
- High pressures due to improper purging of the container.

Consult NFPA Pamphlet #58 for LP-Gas and ANSI #K61.1 for anhydrous ammonia, and/or any applicable regulations governing the application and use of pressure relief valves.

Operation of Pressure Relief Valves

Pressure relief valves are set and sealed by the manufacturer to function at a specific "start-to-discharge" pressure in accordance with regulations. This set pressure, marked on the relief valve, depends on the design requirement of the container to be protected by the relief valve. If the container pressure reaches the start-to-discharge pressure, the relief valve will open a slight amount as the seat disc begins to move slightly away from the seat. If the pressure continues to rise despite the initial discharge through the relief valve, the seat disc will move to a full open position with a sudden "pop". This sharp popping sound is from which the term "pop-action" is derived.

Whether the relief valve opens a slight amount or pops wide open, it will start to close if the pressure in the container diminishes. After the pressure has decreased sufficiently, the relief valve spring will force the seat disc against the seat tightly enough to prevent any further escape of product. The pressure at which the valve closes tightly is referred to as the "re-seal" or "blow-down" pressure. Generally, the re-seal pressure will be lower than the start-to-discharge pressure. The re-seal pressure can be, and in most cases is, adversely affected by the presence of dirt, rust, scale or other foreign particles lodging between the seat and disc. They interfere with the proper mating of the seat and disc and the pressure in the container will usually have to decrease to a lower pressure before the spring force embeds foreign particles into the resilient seat disc material and seals leak-tight. The degree by which the presence of dirt decreases the re-seal pressure, is, of course, dependent on the size of the interfering particles.

Once particles have been trapped between the disc and seat, the start-to-discharge pressure is also affected. For example, the pressure relief valve will start-to-discharge at some pressure lower than its original start-to-discharge pressure. Again, the pressure at which the valve will start to discharge is dependent on the size of the foreign particles.

In the case of a pressure relief valve that has opened very slightly due to a pressure beyond its start-to-discharge setting, the chances of foreign material lodging between the seat and disc is negligible although the possibility is always present. If the relief valve continues to leak at pressures below its start-to-discharge setting it must be replaced.

Relief valves which have "popped" wide open must also be checked for foreign material lodged between the seat and disc, as well as for proper reseating of the seat and disc. Continued leakage at pressures below the start-to-discharge setting indicate the relief valve must be replaced.

The pressure at which a pressure relief valve will start to discharge should never be judged by the reading of the pressure gauge normally furnished on the container.

The reasons for this are two-fold:

- If the relief valve is called upon to open, the resulting discharge produces an increased vaporization of the product in the container with the result that the liquid cools to a certain extent and the vapor pressure drops. A reading taken at this time would obviously not indicate what the pressure was when the relief valve opened.
- The pressure gauges usually on most containers provide somewhat approximate readings and are not intended to provide an indication of pressure sufficiently accurate to judge the setting of the relief valve.

Repair and Testing

RegO® Pressure Relief Valves are tested and listed by Underwriters Laboratories, Inc., in accordance with NFPA Pamphlet #58. Construction and performance of RegO® Pressure Relief Valves are constantly checked at the factory by U.L. inspectors. Therefore, testing of RegO® Pressure Relief Valves in the field is not necessary.

Any pressure relief valve which shows evidence of leakage, other improper operation or is suspect as to its performance must be replaced immediately using approved procedures.

Pipe-Away Adapters

Pipe-away adapters are available for most RegO® Pressure Relief Valves, where it is required or desirable to pipe the discharge above or away from the container. Each adapter is designed to sever if excessive stress is applied to the vent piping – thus leaving the relief valve fully operative.

Weep hole deflectors are available on larger relief valves. These deflectors provide protection against flame impinging on adjacent containers which could occur from ignition of LP-Gas escaping through the relief valve drain hole when the valve is discharging.

Selection of RegO® Pressure Relief Valves For ASME Containers

The rate of discharge required for a given container is determined by the calculation of the surface area of the container as shown in "Chart A" for LP-Gas and "Chart B" for anhydrous ammonia. See page D9.

Setting - The set pressure of a pressure relief valve depends upon the design pressure of the container. Refer to NFPA Pamphlet #58 for more information.

Selection of RegO® Pressure Relief Valves for DOT Containers

To determine the proper relief valve required for a given DOT container, refer to the information shown with each pressure relief valve in the catalog. This information will give the maximum size (pounds water capacity) DOT container for which the relief valve has been approved.

Setting - The standard relief valve setting for use on DOT cylinders is 375 PSIG.

RegO® Pressure Relief Valves

Ordering RegO® Pressure Relief Valves

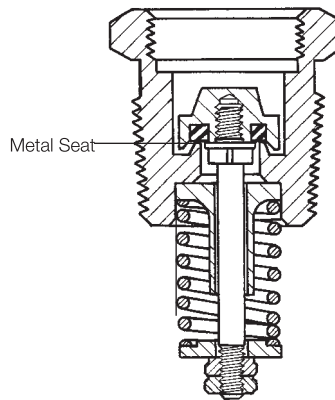
When ordering RegO® Pressure Relief Valves, be sure you are certain that it will sufficiently protect the container as specified in the forewording information, NFPA Pamphlet #58 and any other applicable standards or specifications.

All adapters, protective caps and deflectors must be ordered separately, unless specified otherwise.

Part Number Explanation

Products carrying an "A" or "AA" prefix contain no brass parts and are suitable for NH3. Hydrostatic relief valves carrying an "SS" prefix are of stainless steel construction and are suitable for use with NH3. The products are also suitable for use with LP-Gas service except relief valves carrying an "AA" prefix. These are of partial aluminum construction and are listed by U.L. for NH3 service only.

Safety Information - Relief Valves Don't Last Forever



RegO® Relief Valve for lift truck containers

The internal spring is protected from external contamination but the other external parts must be protected with a cap. Circular rubber seat disc ring seats on brass shoulder approximately 3/64" wide.

This article was prepared by the engineers of RegO® products, after technical consultation with valve manufacturers and other industry sources. Its purpose is to alert and remind the LP-Gas industry of the importance of proper maintenance of pressure relief valves. It applies most particularly to separate relief valves with emphasis on lift truck and motor fuel containers where the hazards of contamination are greatest.

Since the beginning of our industry, manufacturers of equipment and distributors of LP-Gas have worked diligently to provide a safe environment for employees and consumers. The history of the industry testifies to the success of their efforts.

But the industry is now entering its sixth decade and equipment installed years ago is failing because of age. Every year, additional equipment will fail unless it is replaced. Pressure relief valves are no exception. The valve manufacturers and LP-Gas dealers are naturally concerned about this situation.

Causes of Relief Valve Failure

A relief valve is designed to have a safe useful life of many years, but that life will vary greatly depending on the environment in which it "lives." To attempt to estimate the safe useful life of a relief valve and the effect of environment on its performance, a brief discussion of the materials used and the nature of its performance should be helpful.

Relief valve bodies are generally made of brass or steel. Springs are made from various spring wires which are plated or painted, or made of stainless steel. Valve seat discs are made of synthetic rubber compounds which will remain serviceable in an atmosphere of LP-Gas. Relief valve stems, guides, etc. are generally made from brass or stainless steel.

Relief valves, over the years, may not function properly in several ways:

- They may leak at pressures below the set pressure.
- They may open and fail to properly reseal.
- They may open at higher than the set pressure.

These failures to function properly are due primarily to four "environmental" conditions:

1. Corrosion of metal parts (particularly springs) which result in the component parts failing to perform.
2. Deterioration of the synthetic rubber seat disc material.
3. Clogging or "cementing" of the movable relief valve components so that their movement is restricted.
4. Debris on the valve seat after the relief valve opens, effectively preventing the valve from reseating.

Corrosion is caused by water, corrosive atmospheres of salt and industrial pollutants, chemicals, and roadway contaminants. High concentrations can attack the metal parts vigorously. No suitable metals are totally resistant to such corrosion.

Synthetic rubber and seat disc materials can also be attacked by impurities in the gas and corrosive atmospheres, particularly those with sulphur dioxide. There are no suitable rubber materials which resist all contaminants.

"Cementing" of relief valve parts has been caused by normal industrial atmospheres containing particles of dirt, iron oxide, metal chips, etc. combined with water, oil, or grease. Ice collecting in recessed valves could cause relief valves to fail to open. Paint and tar in relief valves also cause failure to function properly.

Safety Information - Relief Valves Don't Last Forever

Debris on valve seats which prevents reseating can occur whenever the valve collects material in the relief valve opening which is not blown out when the relief valve opens.

Inspection of Relief Valves

Unfortunately many of the above problems may not be easily observed because of the compact nature of some relief valve designs.

A casual visual inspection of a relief valve may not necessarily disclose a potential hazard. On the other hand, a visual inspection will often disclose leakage, corrosion, damage, plugging and contamination.

If additional light is required, a flashlight should be used.

If there is any doubt about the condition of the valve, or if there is a suspicion that the valve has not been protected by a cap for some time, it should be replaced before refilling the container.

Eye protection must be used when examining relief valves under pressure.

Smaller Relief Valves

The industry's requirement for a small full-flow safety relief valve challenged design engineers some years ago:

- The valve must be leakproof before operating and must reseat leakproof each time after each operation. The only known satisfactory seat disc materials to accomplish this have been special synthetic rubber compounds.
- Valve discharge settings are relatively high and require high spring loads to keep the valve closed.
- Because of the small interior diameter of the valve, the round metal seating area is small.

All of these parameters may result in the development of a significant indentation in the rubber seat disc after some years. The seat disc may have a tendency to cling to the metal seat. This may result in the relief valve not opening at the set pressure as the seat disc ages.

Tests have been conducted on small LP-Gas relief valves of all the U.S. valve manufacturers. Valves over 10 years old were removed from service and tested to determine at what pressure the valves discharged. In many of the valves, the pressure required to open the valve exceeded the set pressure.

Because of the critical importance of proper functioning of relief valves, common sense and basic safety practice dictate that small relief valves should be replaced in about 10 years.

Some larger relief valves on bulk storage tanks can be replaced with rebuilt valves obtained from the manufacturers. Small relief valves cannot be rebuilt economically, thus, new valves are required. Most LP-Gas dealers find it impractical and costly to test relief valves and field repairing of relief valves is not sanctioned by the manufacturers, Underwriter's Laboratories, or ASME.

Use of Protective Caps

Many of the problems that cause inoperative relief valves could be prevented if proper protective caps were kept in place at all times.

Collection of debris would be prevented. Contamination caused by corrosive atmospheres would be reduced. Water collection in the valves would be eliminated. Relief valves protected with caps from the time of installation in the container would obviously have a much longer safe useful life, but they still should be replaced at some time because of the gradual deterioration of the rubber seat disc due to age alone.

NFPA 58 requires that protective caps must be kept in place as a protective cover on some relief valves. This is a mandatory requirement on several types of relief valves. The fact that use of caps may make inspection more time consuming should not be viewed as a reason for either not using the caps, or not making required periodic inspections.

In the event a relief valve has been used without the required cap, the relief valve should be thoroughly inspected and the required cap placed on the relief valve. If damage is noted to the relief valve, it should be replaced and the replacement valve should be capped. Relief valves with pipe-away adapters or deflectors used on lift truck containers have been found choked with debris. Inspection of relief valves with deflectors can only be accomplished by removing the deflector.

Similarly, larger relief valves with vent stacks have been found choked with debris and water. Valves have failed because springs rusted through. The weep hole was plugged. It was obvious that the relief valves had not been inspected in many years. These conditions must be alleviated by periodic inspections and replacement of relief valves as needed.

Summary Recommendations

Predicting the safe useful life of a relief valve is obviously not an exact science. The conditions to which the valve is subjected will vary widely and will largely control its life. In matters of this kind, only basic guidelines can be suggested. The LP-Gas dealer must observe and determine the safe useful life of relief valves in his territory. The valve manufacturers can only make recommendations for the continuing safety of the industry:

1. Make sure proper protective caps are in place at all times. Do not release a container for service or fill a container unless it has a protective cap in place.
2. Replace relief valves periodically, at least every 10 years. Every relief valve has the month and year of manufacture stamped on the valve. This is most particularly true of small separate relief valves.
3. Carefully inspect valves each time before the container is filled. Replace valves showing any signs of contamination, corrosion, damage, plugging, leakage, or any other problem. Eye protection must be used when examining relief valves under pressure.

Marshall Excelsior

— MEC —

Gas Connections

MEGR-1630 HIGH FLOW GAS REGULATOR

Instruction Manual- Look Inside For:

- Description
- Installation
- Overpressure Protection
- Startup and Adjustment
- Shutdown
- Maintenance
- Parts Ordering
- Parts List



Marshall Excelsior Company

Marshall, MI 49068

269-789-6700

FAX 269-781-8340

www.marshallexcelsior.com

DESCRIPTION:

MEGR-1630 is a spring loaded, self operated pressure regulator for use with inlet pressures as high as 1500 PSIG and outlet pressures between 3 and 500 PSIG.

INSTALLATION:

Qualified personnel only should perform installation, operation and maintenance in accordance with NFPA 54 & 58 and other local, State and Federal Regulations.

WARNING!

Over-pressurizing the regulator or any of its adjacent piping could cause equipment damage, property damage, or personal injury as a result of the bursting of any of the pressure containing parts. It is highly recommended that a pressure limiting device (usually required by an appropriate code, regulation, or standard) be installed to prevent operating conditions from exceeding any limits.

The regulator can be mounted in any position. An arrow on the bonnet, above the nameplate, indicates the proper direction of the flow. Inspect the piping and the regulator for any contaminants before installing. Always apply pipe sealant to the male threads of the piping.

OVERPRESSURE PROTECTION:

The MEGR-1630 pressure regulator has rated outlet pressures that are lower than their rated inlet pressures. Pressure relief devices must be used if either the inlet or outlet pressure can exceed their rated limit. See the tables and notes below for those limits. After any overpressure condition, check the regulator and any piping for damage.

WARNING!

The use of a pressure-relieving device is recommended to ensure that both the inlet and outlet pressures do not exceed their rated limits. Damage to the regulator, or personal injury, could result from an overpressure condition.

Orifice Size	Maximum Inlet Pressure (psig)	Maximum Pressure Differential (psi)
1/8" and 3/16"	1500	1500
1/4"	1500	1000
3/8"	1000	500
1/2"	750	250

Outlet Pressure Range (psig)	Maximum Outlet Pressure (psig) <i>Above the Pressure Setting</i>	Maximum Emergency Outlet Pressure (psig)
27-50	200	550
46-95	200	550
90-150	200	550
200-275	200	550
275-500	200*	550

NOTE: The sum of the outlet pressure and the maximum pressure differential must be greater than the inlet pressure.

CAUTION: The maximum outlet emergency pressure (casing pressure) is 550 psig. This number takes precedence over the maximum outlet pressure above the pressure setting.

VENTS:

The MEGR-1630 pressure regulator is supplied with a screened vent assembly in the 1/4 NPT bonnet vent hole.

WARNING!

The vent should be inspected periodically to insure that it has not become plugged. Make sure the vent remains free from any foreign debris, or weather related contaminants. If the regulator is to be used in an enclosed area, vent lines should be piped to a ventilated area.

START UP:

To start up the regulator, open the upstream shut-off valve allowing gas pressure to enter. The use of gauges to monitor pressures is strongly advised. The outlet pressure range is noted on the nameplate. In the event that the desired pressure setting is outside the rated pressure range of the regulator, substitute the correct range spring. Make sure the nameplate is changed to reflect the new outlet pressure range.

WARNING!

To prevent placing the range spring under excessive stress, always use the correct adjustment screw for the range selected.

Dangerous conditions, which may damage internal components, may result from outlet pressures exceeding the set pressure by more than 200 psig. This excess pressure must never exceed the maximum casing pressure of 550 psig. To prevent overpressure conditions, make certain the new pressure setting does not exceed the limits of the range spring being used. The use of a pressure gauge when making adjustments is strongly recommended.

SHUTDOWN:

Slowly close the upstream shut-off valve and relieve the system of all pressure. The use of pressure gauges is recommended to ensure that there is no upstream or downstream pressure still applied to the regulator or pressure system.

MAINTENANCE:

During the course of the regulator's service it may become necessary to replace or repair certain components.

WARNING!

These procedures are for gaining access to the range spring, diaphragm assembly, and the lever. All spring pressure must be released from the regulator before these steps can be performed. While

following these procedures, refer to the diagram for item number locations unless otherwise directed. Assembly is the reverse of these procedures.

Replacing the Orifice, Valve Disk Assembly and Lever

1. Disconnect the piping from the inlet housing (item 19)
2. Remove 4 screws (item 18) and the housing
3. Remove the orifice (item 22), and the 2 gaskets (item 21)
4. If necessary, disconnect the remote vent pipe
5. Remove the 2 screws that attach the diaphragm housing (item 14) to the inlet body (item 20) and separate
6. Remove the pin (item 16) and slide out the lever (item 15). When replacing the lever, make sure the slot in the lever contacts the connector (item 13).
7. Remove the carrier assembly (item 24) from the inlet body.
8. Using a 3/4" socket wrench, remove the valve disk and holder assembly (item 23).
9. Replace those parts that show wear, and reassemble.

Note: New gaskets (item 17 and 21) should always be installed when rebuilding a MEGR-1630 Regulator.

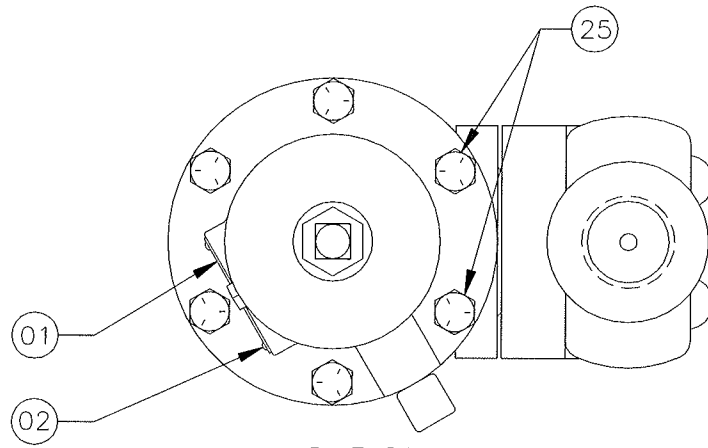
Replacing the Diaphragm

1. Loosen locknut (item 4) and turn adjustment screw (item 3) counterclockwise until all spring compression is removed.
2. If necessary, disconnect the remote vent pipe.
3. To remove the bonnet (item 6), unscrew the nuts (item 11) and remove the bolts (item 12).
NOTE: Nuts will not be present on units with steel enclosures.
4. Separate the diaphragm assembly (items 8,9, 10 and 13) from the lever (item 15) and remove.
5. Unscrew the screw (item 8) from the connector assembly (item 13).
6. Install the new diaphragm, being certain that it is centered, and reassemble.

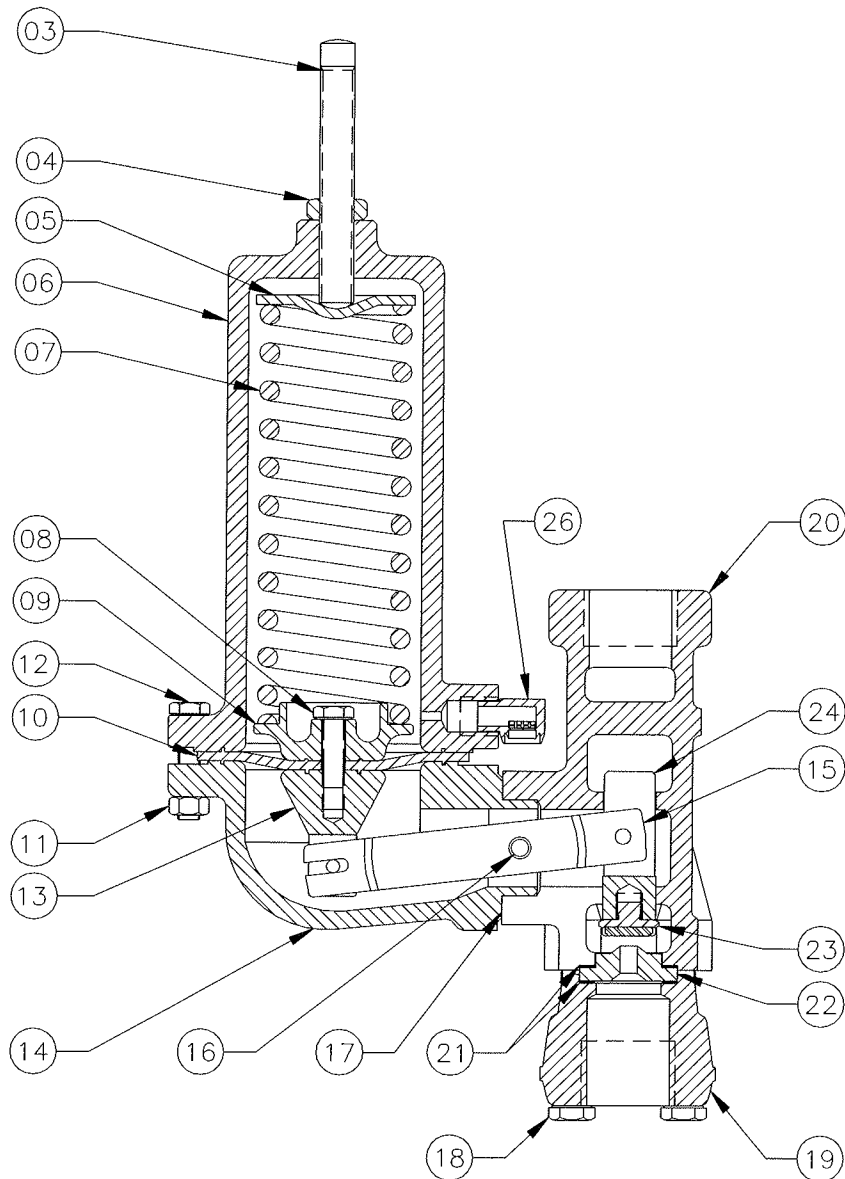
NOTE: Be careful not to twist the diaphragm/lever attachment during assembly. When installing the bonnet, install the screws finger tight, turn the adjusting screw clockwise to slightly compress the spring and take up any slack in the diaphragm, then finish tightening the screws and nuts.

Table 1		
Spring Range (psig)	Adjusting Screw	Spring Color Code
27-50	Specify Spring Range when Ordering	Red Stripe
46-95		Olive Drab
90-150		Silver
150-200		Green Stripe
200-275		Blue Stripe
275-500		Yellow Stripe

PARTS LIST	
ITEM	DESCRIPTION
1	Nameplate
2	Drive Screws (4 Req'd)
3	Adjusting Screw (See Table 1)
4	Hex Nut
5	Upper Spring Guide (0-275 psig Pressure Range) Upper Spring Guide (over 275 psig Pressure Range)
6	Bonnet - Iron
7	Spring (See Table #1)
8	Screw
9	Lower Spring Guide (0-275 psig Pressure Range) Lower Spring Guide (over 275 psig Pressure Range)
10	Diaphragm - Neoprene
11	Hex Nut (4 Req'd)
12	Build Screw (4 Req'd)
13	Connector Piston Assembly - Aluminum Trim
14	Diaphragm Housing - Iron
15	Lever Assembly
16	Pin
17	Gasket
18	Build Screw (4 Req'd) 2" Body
19	Inlet Adapter - 2" NPT Iron
20	Body - 2" NPT Iron
21	Body Gaskets (2 Req'd)
22	Orifice - 1/8" Orifice - 3/16" Orifice - 1/4" Orifice - 3/8" Orifice - 1/2"
23	Valve Disk Assembly-Nylon Disk
24	Valve Carrier
26	Vent Protector Assembly
27	Cap Screws (Body to Housing)



SIDE VIEW



Valve model number description

Every MAXON gas electro-mechanical valve can be accurately identified by the model number shown on the valve nameplate. The example below shows a typical gas electro-mechanical valve model number, along with the available choices for each item represented in the model number.

Configured item number					Valve body						Actuator					
Valve size	Flow capacity	Valve type	Normal position	Area classification	Body connection	Body seals & bumper material	Body material	Internal trim package	Solenoid OR circuit board voltage	Motor voltage OR handle side plate	Motor timing (automatic valves only)	Switch options	Enclosure rating	Instruction language		
300	C	MA	1	1	-	A	A	1	1	-	B	B	2	0	A	0

Valve size

075 - 3/4" (DN20)
100 - 1" (DN25)
125 - 1-1/4" (DN32)
150 - 1-1/2" (DN40)
200 - 2" (DN50)
250 - 2-1/2" (DN65)
300 - 3" (DN80)
400 - 4" (DN100)
600 - 6" (DN150)

Flow capacity

S - Standard
C - CP body construction
H - High capacity

Valve reset type

MA - MAXON automatic (motorized) valve
MM - MAXON manual valve

Normal position

1 - Normally closed shut-off valve
2 - Normally open vent valve

Area classification

1 - General purpose
2 - Non-incendive, Class I, II and III Division 2
4 - Valve body only (400 & 600 high capacity valves only)

Body connection

A - ANSI (NPT) threaded
B - ANSI flanged (PN20)
C - ISO 7/1 threaded
D - DIN PN16 flanged
E - Socket welded nipple
F - Socket welded nipple w/Class 150 flange (ISO 7005 PN20)
H - EN1092-1 PN16 flanged (ISO 7005-1 PN16)

Body seals & bumper material

A - Buna o-rings/Buna bumper
B - Viton o-rings/Buna bumper
C - Viton o-rings/Viton bumper [1]
D - Ethylene Propylene o-rings/Ethylene Propylene bumper [1]
E - Omniflex o-rings/Buna bumper
F - Omniflex o-rings/Viton bumper [1]

Body material

1 - Cast iron
2 - Carbon steel
5 - Stainless steel
6 - Low temp carbon steel

Internal trim package

1 - Trim package 1
2 - Trim package 2
4 - Trim package 2, oxy clean [1]

Solenoid OR circuit board voltage

A - 115VAC 50 Hz
B - 115VAC 60 Hz
C - 230VAC 50 Hz
D - 230VAC 60 Hz
E - 208VAC 50 Hz
F - 24VDC
G - 120VDC

Motor voltage

A - 115VAC 50 Hz
B - 115VAC 60 Hz
C - 230VAC 50 Hz
D - 230VAC 60 Hz
E - 24VDC

Motor timing

1 - 2.5 second
2 - 6 second
3 - 12 second
* - N/A with manual valves

OR Handle side plate

A - Standard handle
B - Tandem main
C - Tandem blocking
D - Tandem overhead
E - Wheel and chain

Switch options

Automatic valves

0 - VOS1/none
1 - VOS1/VCS1
2 - VOS2/VCS2
3 - VOS2/VCS1
4 - VOS1HC/VCS1HC

Manual valves

0 - None
1 - VOS1/VCS1
2 - VOS2/VCS2
3 - VOS2/VCS1

Enclosure rating

A - NEMA 4
B - NEMA 4X

Instruction language

0 - English

[1] -18°C minimum ambient temperature limit

Valve model cross reference

MAXON valve model numbers have changed to intelligent coded model numbers for easy identification and specification. Valves manufactured prior to October 1, 2008 will contain an older model number system which can be easily cross referenced with the chart below.

Normally-closed (shut-off) valves General purpose, NEMA 4 or 4X	
Model number (prior to October 1, 2008)	New model designation
808	SMM11
808 CP	CMM11
5000	SMA11
5000 CP	CMA11
7000	HMA11
Normally-open (vent) valves General purpose, NEMA 4 or 4X	
Model number (prior to October 1, 2008)	New model designation
STO-M	SMM21
STO-A	SMA21
STO-A-CP	CMA21
Normally-closed (shut-off) valves Hazardous area classification	
Model number (prior to October 1, 2008)	New model designation
808 NI	SMM12
808 NI CP	CMM12
5000 NI	SMA12
5000 NI CP	CMA12
Normally-open (vent) valves Hazardous area classification	
Model number (prior to October 1, 2008)	New model designation
STO-M-NI	SMM22
STO-M-NI-CP	CMM22
STO-A-NI	SMA22
STO-A-NI-CP	CMA22

Valve body assembly options & specifications

Normally-closed shut-off valves							
Nominal pipe size	Flow capacity	Body connections available	Body material	Trim package options	Cv rating	MOPD rating (mbar)	Special service MOPD rating (mbar) [1]
3/4" (DN20)	S	A, C	1, cast iron	1, 2, 4	19	8618	2068
1" (DN25)	S	A, C	1, cast iron	1, 2, 4	20	8618	2068
		A, C, E, F	2, 6, carbon steel 5, stainless steel				
1-1/4" (DN32)	S	A, C	1, cast iron	1, 2, 4	45	6895	2068
1-1/2" (DN40)	S	A, C	1, cast iron	1, 2, 4	53	4826	1379
		A, C, E, F	2, 6, carbon steel 5, stainless steel				
2" (DN50)	S	A, B, C, D, H	1, cast iron	1, 2, 4	86	4826	1034
		A, C, E, F	2, 6, carbon steel 5, stainless steel				
2-1/2" (DN65)	S	A, B, C, D	1, cast iron	1	127	2758	689
	CP		2, 6, carbon steel 5, stainless steel	1, 2, 4	304	3447	1034
3" (DN80)	S	A, C	1, cast iron	1	173	2068	345
	CP	A, B, C, D, H	1, cast iron	1, 2, 4	423	2758	689
	B, D, H	2, 6, carbon steel 5, stainless steel					
4" (DN100)	CP	B, D, H	1, cast iron	1, 2, 4	490	2758	689
			2, 6, carbon steel 5, stainless steel				
	HC		1, cast iron		719	4137	689
			2, carbon steel 5, stainless steel				
6" (DN150)	S	B, D, H	1, cast iron	1, 2, 4	869	1379	Not available
			2, carbon steel				
	HC		5, stainless steel		1172	3447	689
			1, cast iron				
			2, carbon steel				
			5, stainless steel				
			1, cast iron				
			2, carbon steel				
			5, stainless steel				

[1] Special service fuels (see page 10-30.1-12): Valve maximum operating pressure differential (MOPD) to be reduced

Body connections:

A - NPT
B - ANSI flanged (ISO 7005 PN20)
C - ISO 7-1 threaded
D - DIN PN16 flanged
E - Socket welded nipple
F - Socket welded nipple w/Class 150 flange (ISO 7005 PN20)
H - EN1092-1 PN16 (ISO 7005-1 PN16)

Body material:

1 - Cast iron
2 - Carbon steel
5 - Stainless steel
6 - Low temp carbon steel

Trim package options and typical material:

1 - 400 series stainless steel seat, hardened ductile iron disc, PEEK follower ring
2 - 316SS seat, 316SS disc, PEEK follower ring
4 - Oxy clean, trim 2

Body seals and bumper:

- Buna o-rings/Buna bumper
- Viton o-rings/Buna bumper
- Viton o-rings/Viton bumper
- Ethylene Propylene o-rings/Ethylene Propylene bumper
- Omniflex o-rings/Buna bumper
- Omniflex o-rings/Viton bumper

Refer to valve body assembly gas compatibility for proper elastomer selection.

Normally-open vent valves							
Nominal pipe size	Flow capacity	Body connections available	Body material	Trim package options	Cv rating	MOPD rating (mbar)	Special service MOPD rating (mbar) [1]
3/4" (DN20)	S	A, C	1, cast iron	1, 2, 4	19	8618	2068
1" (DN25)	S	A, C	1, cast iron	1, 2, 4	20	8618	2068
		A, C, E, F	2, 6, carbon steel 5, stainless steel				
1-1/2" (DN40)	S	A, C	1, cast iron	1, 2, 4	53	4826	1379
		A, C, E, F	2, 6, carbon steel 5, stainless steel				
2" (DN50)	S	A, B, C, D, H	1, cast iron	1, 2, 4	86	4826	1034
		A, C, E, F	2, 6, carbon steel 5, stainless steel				
2-1/2" (DN65)	CP	A, B, C, D	1, cast iron	1, 2, 4	304	3447	1034
		B, D, H	2, 6, carbon steel 5, stainless steel				
3" (DN80)	CP	A, B, C, D, H	1, cast iron	1, 2, 4	423	2758	689
		B, D, H	2, 6, carbon steel 5, stainless steel				
4" (DN100)	CP	B, D, H	1, cast iron	1, 2, 4	490	2758	689
			2, 6, carbon steel 5, stainless steel				

[1] Special service fuels (see page 10-30.1-12): Valve maximum operating pressure differential (MOPD) to be reduced

Body connections:

A - NPT
 B - ANSI flanged (ISO 7005 PN20)
 C - ISO 7-1 threaded
 D - DIN PN16 flanged
 E - Socket welded nipple
 F - Socket welded nipple w/Class 150 flange (ISO 7005 PN20)
 H - EN1092-1 PN16 (ISO 7005-1 PN16)

Body material:

1 - Cast iron
 2 - Carbon steel
 5 - Stainless steel
 6 - Low temp carbon steel

Trim package options and typical material:

1 - 400 series stainless steel seat, hardened ductile iron disc, PEEK follower ring
 2 - 316SS seat, 316SS disc, PEEK follower ring
 4 - Oxy clean, trim 2

Body seals and bumper:

- Buna o-rings/Buna bumper
 - Viton o-rings/Buna bumper
 - Viton o-rings/Viton bumper
 - Ethylene Propylene o-rings/Ethylene Propylene bumper
 - Omniflex o-rings/Buna bumper
 - Omniflex o-rings/Viton bumper
 Refer to valve body assembly gas compatibility for proper elastomer selection.

Valve actuator options

Automatic reset valves							
Nominal pipe size	Flow capacity	Normal position	Area classification	Solenoid OR circuit board voltage	Motor voltage	Motor timing	Switch options
3/4" (DN20)	S	1, 2	1 2	A, B, C, D, E, F, G A, B, C, D, F, G	A, B, C, D, E A, B, C, D	1, 2 1, 2	0, 1, 2, 3, 4 0, 1, 2, 3
1" (DN25)	S	1, 2	1 2	A, B, C, D, E, F, G A, B, C, D, F, G	A, B, C, D, E A, B, C, D	1, 2 1, 2	0, 1, 2, 3, 4 0, 1, 2, 3
1-1/4" (DN32)	S	1	1 2	A, B, C, D, E, F, G A, B, C, D, F, G	A, B, C, D, E A, B, C, D	1, 2 1, 2	0, 1, 2, 3, 4 0, 1, 2, 3
1-1/2" (DN40)	S	1, 2	1 2	A, B, C, D, E, F, G A, B, C, D, F, G	A, B, C, D, E A, B, C, D	1, 2 1, 2	0, 1, 2, 3, 4 0, 1, 2, 3
2" (DN50)	S	1, 2	1 2	A, B, C, D, E, F, G A, B, C, D, F, G	A, B, C, D, E A, B, C, D	1, 2 1, 2	0, 1, 2, 3, 4 0, 1, 2, 3
2-1/2" (DN65)	S	1	1 2	A, B, C, D, E, F, G A, B, C, D, F, G	A, B, C, D, E A, B, C, D	1, 2 1, 2	0, 1, 2, 3, 4 0, 1, 2, 3
3" (DN80)	S	1	1 2	A, B, C, D, E, F, G A, B, C, D, F, G	A, B, C, D, E A, B, C, D	1, 2 1, 2	0, 1, 2, 3, 4 0, 1, 2, 3
2-1/2" (DN65)	C	1, 2	1 2	A, B, C, D, E, F, G A, B, C, D, F, G	A, B, C, D, E A, B, C, D	2 2	0, 1, 2, 3, 4 0, 1, 2, 3
3" (DN80)	C	1, 2	1 2	A, B, C, D, E, F, G A, B, C, D, F, G	A, B, C, D, E A, B, C, D	2 2	0, 1, 2, 3, 4 0, 1, 2, 3
4" (DN100)	C	1, 2	1 2	A, B, C, D, E, F, G A, B, C, D, F, G	A, B, C, D, E A, B, C, D	2 2	0, 1, 2, 3, 4 0, 1, 2, 3
4" (DN100)	H	1	1	A, B, C, D, G	A, B, C, D	3	0, 1, 2, 3
6" (DN150)	H	1	1	A, B, C, D, G	A, B, C, D	3	0, 1, 2, 3

Flow capacity

S - Standard
C - CP body construction
H - High capacity

Normal position

1 - Normally-closed shut-off valve
2 - Normally-open vent valve

Area classification

1 - General purpose
2 - Non-incendive, Class I, II and III, Division 2

Solenoid OR circuit board voltage

A - 115VAC 50 Hz
B - 115VAC 60 Hz
C - 230VAC 50 Hz
D - 230VAC 60 Hz
E - 208VAC 50 Hz
F - 24VDC
G - 120VDC

Motor voltage

A - 115VAC 50 Hz
B - 115VAC 60 Hz
C - 230VAC 50 Hz
D - 230VAC 60 Hz
E - 24VDC

Motor timing

1 - 2.5 second
2 - 6 second
3 - 12 second

Switch options

0 - VOS1/None
1 - VOS1/VCS1
2 - VOS2/VCS2
3 - VOS2/VCS1
4 - VOS1HC/VCS1HC

Manual reset valves						
Nominal pipe size	Flow capacity	Normal position	Area classification	Solenoid voltage	Handle side plate options	Switch options
3/4" (DN20)	S	1	1 2	A, B, C, D, E, F, G A, B, C, D, F, G	A, B, C, D, E A, B, C, D, E	0, 1, 2, 3 0, 1, 2, 3
		2	1 2	A, B, C, D, E, F, G A, B, C, D, F, G	A, E A, E	0, 1, 2, 3 0, 1, 2, 3
1" (DN25)	S	1	1 2	A, B, C, D, E, F, G A, B, C, D, F, G	A, B, C, D, E A, B, C, D, E	0, 1, 2, 3 0, 1, 2, 3
		2	1 2	A, B, C, D, E, F, G A, B, C, D, F, G	A, E A, E	0, 1, 2, 3 0, 1, 2, 3
1-1/4" (DN32)	S	1	1 2	A, B, C, D, E, F, G A, B, C, D, F, G	A, B, C, D, E A, B, C, D, E	0, 1, 2, 3 0, 1, 2, 3
1-1/2" (DN40)	S	1	1 2	A, B, C, D, E, F, G A, B, C, D, F, G	A, B, C, D, E A, B, C, D, E	0, 1, 2, 3 0, 1, 2, 3
		2	1 2	A, B, C, D, E, F, G A, B, C, D, F, G	A, E A, E	0, 1, 2, 3 0, 1, 2, 3
2" (DN50)	S	1	1 2	A, B, C, D, E, F, G A, B, C, D, F, G	A, B, C, D, E A, B, C, D, E	0, 1, 2, 3 0, 1, 2, 3
		2	1 2	A, B, C, D, E, F, G A, B, C, D, F, G	A, E A, E	0, 1, 2, 3 0, 1, 2, 3
2-1/2" (DN65)	S	1	1 2	A, B, C, D, E, F, G A, B, C, D, F, G	A, B, C, D, E A, B, C, D, E	0, 1, 2, 3 0, 1, 2, 3
3" (DN80)	S	1	1 2	A, B, C, D, E, F, G A, B, C, D, F, G	A, B, C, D, E A, B, C, D, E	0, 1, 2, 3 0, 1, 2, 3
2-1/2" (DN65)	C	1	1 2	A, B, C, D, E, F, G A, B, C, D, F, G	A, B, C, D, E A, B, C, D, E	0, 1, 2, 3 0, 1, 2, 3
		2	2	A, B, C, D, F, G	A, E	0, 1, 2, 3
3" (DN80)	C	1	1 2	A, B, C, D, E, F, G A, B, C, D, F, G	A, B, C, D, E A, B, C, D, E	0, 1, 2, 3 0, 1, 2, 3
		2	2	A, B, C, D, F, G	A, E	0, 1, 2, 3
4" (DN100)	C	1	1 2	A, B, C, D, E, F, G A, B, C, D, F, G	A, B, C, D, E A, B, C, D, E	0, 1, 2, 3 0, 1, 2, 3
		2	2	A, B, C, D, F, G	A, E	0, 1, 2, 3
6" (DN150)	S	1	1 2	A, B, C, D, E A, B, C, D	A, B, C, D, E A, B, C, D, E	0, 1, 2, 3 0, 1, 2, 3

Flow capacity

S - Standard
C - CP body construction
H - High capacity

Normal position

1 - Normally-closed shut-off valve
2 - Normally-open vent valve

Area classification

1 - General purpose
2 - Non-incendive, Class I, II and III, Division 2

Solenoid voltage

A - 115VAC 50 Hz
B - 115VAC 60 Hz
C - 230VAC 50 Hz
D - 230VAC 60 Hz
E - 208VAC 50 Hz
F - 24VDC
G - 120VDC

Handle side plate options

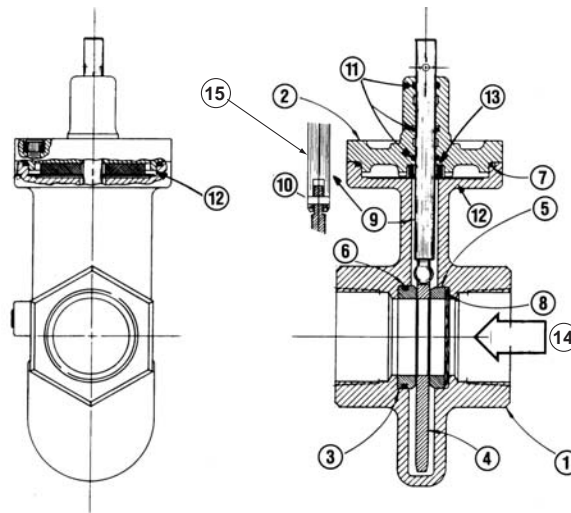
A - Standard handle
B - Tandem main
C - Tandem blocking
D - Tandem overhead
E - Wheel and chain

Switch options

0 - None
1 - VOS1/VCS1
2 - VOS2/VCS2
3 - VOS2/VCS1

Valve body assembly specifications

- 1) Body
- 2) Bonnet
- 3) Seat
- 4) Disc
- 5) Follower ring
- 6) Seat o-ring
- 7) Body o-ring
- 8) Wavy spring
- 9) Stem
- 10) Spring pin
- 11) Stem o-ring
- 12) Striker plate
- 13) Bumper
- 14) Flow direction
- 15) Typical stem/disc connection used with smaller sized valves



Threaded CP body design shown

Body and bonnet materials					
Item number	Description	Material code			
		1	2	5	6
1	Body	Cast iron	Carbon steel	Stainless steel	Low temp carbon steel
2	Bonnet	ASTM A126, Class B	ASTM A216, Gr. WCB	ASTM A351 Gr. CF8M	ASTM A352 Gr. LCB

Body seals and bumper material		
Item number	Description	Material
6	Seat o-ring	Buna o-rings/Buna bumper Viton o-rings/Buna bumper Viton o-rings/Viton bumper Ethylene Propylene o-rings/Ethylene Propylene bumper Omniflex o-rings/Buna bumper Omniflex o-rings/Viton bumper
7	Body o-ring	
11	Stem o-ring	
13	Bumper	

Trim package materials			
Item number	Description	Internal trim package	
		1	2
3	Seat	400 series stainless steel	316 stainless steel
4	Disc	Hardened ductile iron	316 stainless steel
5	Follower ring	PEEK	PEEK
8	Wavy spring	300 series stainless steel	
9	Stem	17-4 PH stainless steel	
10	Spring pin (when required)	Carbon steel	400 series stainless steel
12	Striker plate	17-7 PH stainless steel	

Valve body assembly - gas compatibility

Gas	Gas code	Suggested material options			MOPD rating	Agency approvals and certifications				
		Body seals & bumper	Body & bonnet	Trim package		FM	CSA [3]	CE [4]		UL [3]
								GAD	MD	
Air	AIR	A, B, C, E, F	1, 2, 5, 6	1, 2	Std.	X	X		X	X
Ammonia	AMM	A, D, E	1, 2, 5, 6	1, 2	Std.	X	X		X	
Butane gas	BUT	A, B, C, E, F	1, 2, 5, 6	1, 2	Std.	X	X	X	X	X
Coke oven gas	COKE	C, F	1, 2, 5, 6	2	[5]	X	X		X	
Delco	DEL	A, B, C, E, F	1, 2, 5, 6	1, 2	Std.	X	X		X	X
Digester [1]	DIG	Analysis required	5	2	[5]	X	X		X	
Endothermic AGA	ENDO	A, B, C, E, F	1, 2, 5, 6	1, 2	Std.	X	X		X	X
Exothermic gas	EXO	A, B, C, E, F	1, 2, 5, 6	1, 2	Std.	X	X		X	X
Hydrogen gas	HYD	A, B, C, E, F	1, 2, 5, 6	1, 2	[2]	X	X		X	
Manufactured [1]	MFGD	Analysis required	5	2	Std.	X	X		X	
Natural gas	NAT	A, B, C, E, F	1, 2, 5, 6	1, 2	Std.	X	X	X	X	X
Nitrogen	NIT	A, B, C, E, F	1, 2, 5, 6	1, 2	Std.	X	X		X	X
No. 1 fuel oil [6]	NO1OIL	A, B, C, E, F	1, 2, 5, 6	1, 2	Std.	X	X		X	X
No. 2 fuel oil [6]	NO2OIL	A, B, C, E, F	1, 2, 5, 6	1, 2	Std.	X	X		X	X
Oxygen high	OXYH	C, D, F	2, 5, 6	4	8.62 barg max	X	X		X	
Oxygen low	OXYL	C, D, F	1, 2, 5, 6	4	2.07 barg max	X	X		X	
Propane	PROP	A, B, C, E, F	1, 2, 5, 6	1, 2	Std.	X	X	X	X	X
Refinery [1]	REF	Analysis required	5	2	[5]	X	X		X	
Sour natural [1]	SOUR	Analysis required	5	2	[5]	X	X		X	
Town gas [1]	TOWN	Analysis required	5	2	Std.	X	X	X	X	
Land fill gas [1]	LAND	Analysis required	5	2	[5]	X	X		X	

[1] Other body and trim packages may be acceptable pending fuel analysis. For pricing inquiries, Viton or Omniflex o-rings should be used. Contact MAXON for details.

[2] Valve maximum operating pressure differential (MOPD) to be reduced by 25% from standard ratings.

[3] ISO connections are not recognized by CSA or UL standards

[4] SMA11, CMA11, SMM11, CMM11, SMA21, CMA21, SMM21 Series electro-mechanical valves meet the essential requirements of the Low Voltage (73/23/EEC), EMC (2004/108/EC) and Gas Appliance - GAD (90/396/EEC) Directives. The Gas Appliance Directive only covers the use of commercially available fuels (natural gas, butane, town gas and LPG). MD stands for Machinery Directive (98/37/EC).

[5] Special service fuels: Valve maximum operating pressure differential (MOPD) to be reduced from standard ratings

[6] All electro-mechanical valves except HMA11 Series are approved for use with No. 1 and No. 2 fuel oils. Swinging gate style valves are preferable for liquid service.

Body seals & bumper:

A - Buna o-rings/Buna bumper

B - Viton o-rings/Buna bumper

C - Viton o-rings/Viton bumper

D - Ethylene propylene o-rings/Ethylene propylene bumper

E - Omniflex o-rings/Buna bumper

F - Omniflex o-rings/Viton bumper

Body & bonnet:

1 - Cast iron

2 - Carbon steel

5 - Stainless steel

6 - Low temp carbon steel

Trim package:

1 - Trim package 1

2 - Trim package 2

4 - Trim package 2, oxy clean

Electrical data

General

MAXON shut-off valves are electrically actuated from a power source. Standard assemblies include an internal holding solenoid or clutch and printed circuit board.

Position switch wiring diagrams (reproduced below) are part of each valve assembly, summarizing electrical data and wiring for a valve equipped with terminal block and a full complement of optional switches.

Good practice normally dictates that auxiliary switches in valves should be used for signal duty only, not to operate additional safety devices.

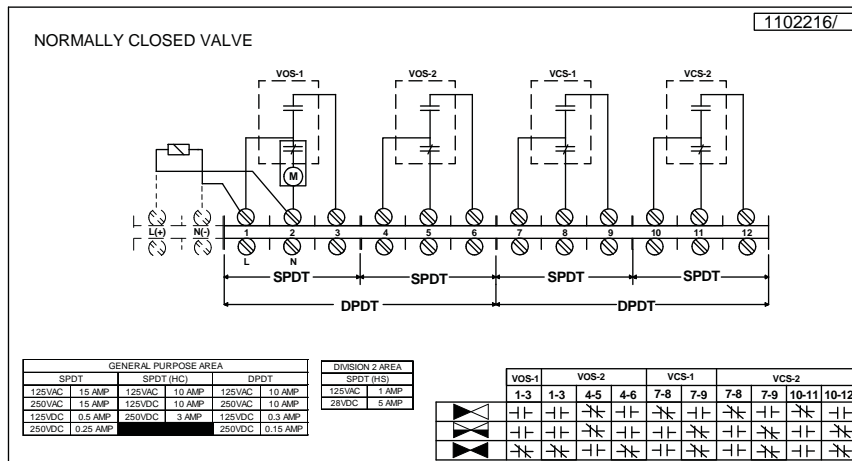
Valve position switches are offered in SPDT (single pole/double throw). Recommended packages include one open switch and one closed switch (VOS1/VCS1). Additional auxiliary switches are designated by VOS2/VCS2.

VCS (valve closed switch) is actuated at the end of the closing stroke. VOS (valve open switch) is actuated at the end of the opening stroke.

Switch amperage ratings are shown on the schematic wiring diagrams below. DO NOT EXCEED rated amperage or total load shown. Diagrams show valve with a full complement of switches. For normally-closed valves, the wiring diagram illustrates the switch contact positions with the valve closed. For normally-open valves, the wiring diagram illustrates the switch contact position with the valve open.

Figure 1: Normally-closed shut-off valves

Standard and CP valves



High capacity valves (4" & 6" sizes only)

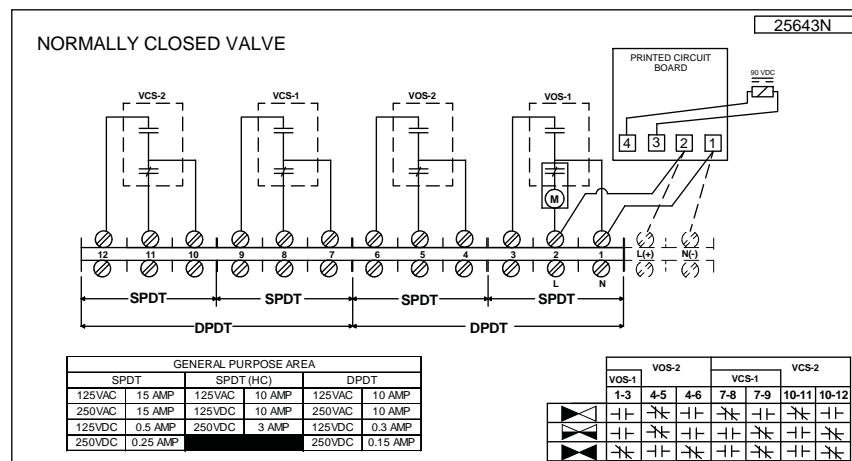
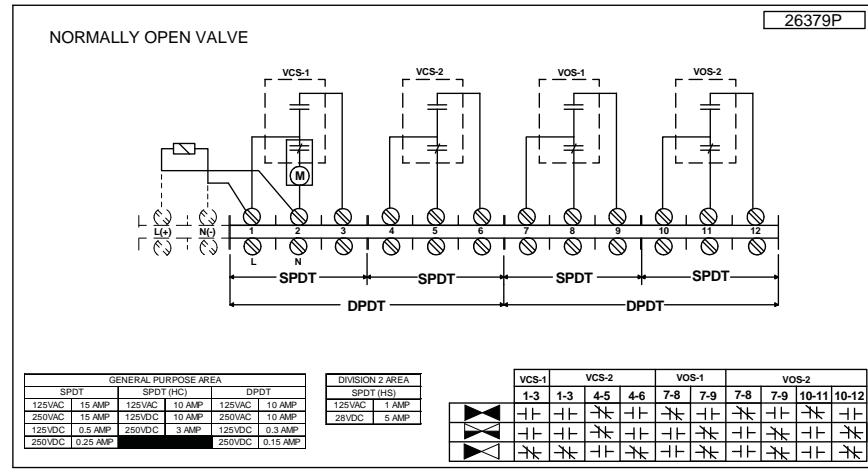


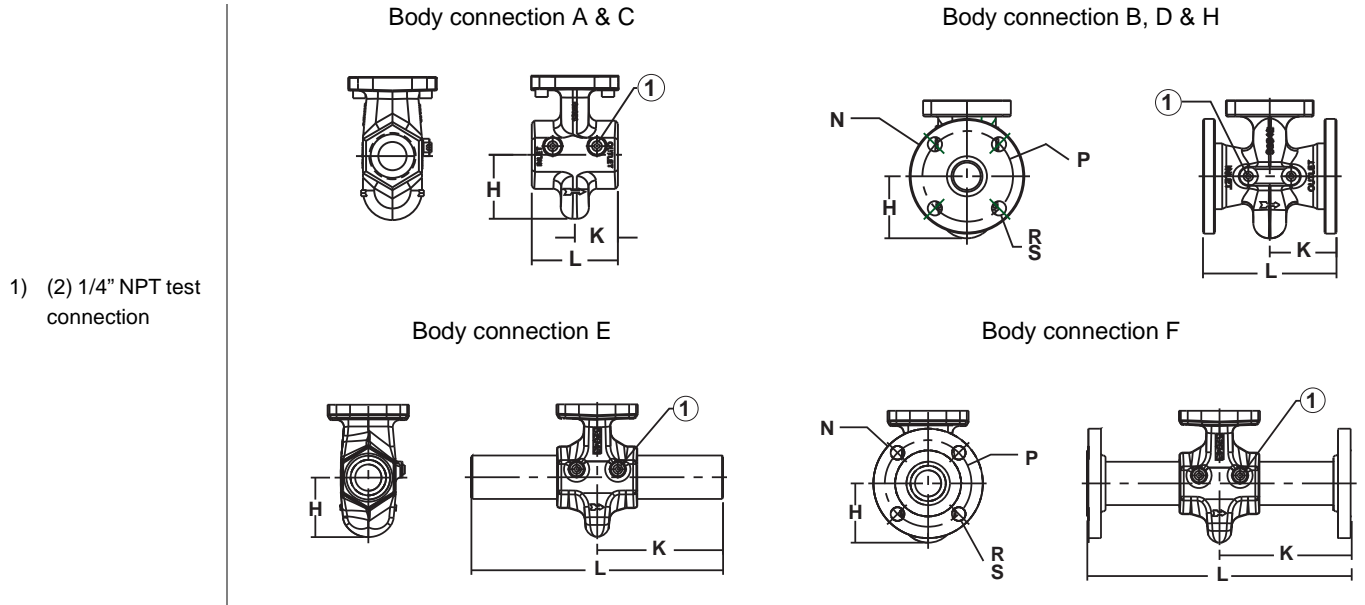
Figure 2: Normally-open valves

Standard and CP valves



Dimensions and weights

Valve bodies: 3/4" (DN20) to 3" (DN80)



Valve size	Flow capacity	Body Connection	Body/ bonnet material	Approximate dimensions (in mm)							Approximate weight (in kg)		
				H	K	L	N Ø	P Ø	R Ø	S # of holes	Body assembly	Actuator assembly	Total weight
3/4" (DN20)	S	A, C	Cast iron	51	48	96	N/A				3.6	5	8.6
1" (DN25)	S	A, C	Cast iron				N/A				3.6		8.6
		A, C	Carbon steel & stainless steel				N/A				4		9
		E					N/A				5		10
		F		175	350	109	79	16	4	6.8	11.8		
1-1/4" (DN32)	S	A, C	Cast iron	61	51	102	N/A				4	5	9
1-1/2" (DN40)	S	A, C	Cast iron	68			173	345	N/A				5
		A, C	Carbon steel & stainless steel		N/A				5	10			
		E			N/A				6	11			
		F		183	366	127	99	16	4	9.5	14.5		
2" (DN50)	S	A, C	Cast iron	84	56	112	N/A				7	6	13
		B			89	178	152	122	19	4	12		18
		D, H					165	124	18		12		18
		A, C	Carbon steel & stainless steel		N/A				8	14			
		E			N/A				10	16			
		F			N/A				15	21			
				185	368	152	122	19	4	15			
2-1/2" (DN65)	S	A, C	Cast iron	74	63	127	N/A				8.6	14.6	
		B		79	96	190	178	140	19	4	13.5	19.5	
		D, H					185	145	18		13.5	19.5	
3" (DN80)	S	A, C	Cast iron	76	66	132	N/A				9	15	

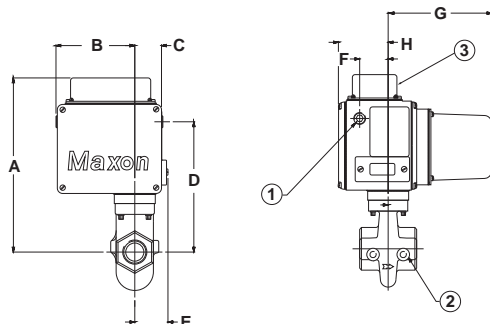
Flow capacity:
S - Standard
C - CP body construction
H - High capacity

Body connection:
A - NPT
B - ANSI flanged (ISO 7005 PN20)
C - ISO 7-1 threaded

D - DIN PN16 flanged
E - Socket welded nipple
F - Socket welded nipple w/Class 150 flange (ISO 7005 PN20)
H - EN 1092-1 PN16 (ISO 7005-1 PN16)

Valve actuators: 3/4" through 1-1/2" valves

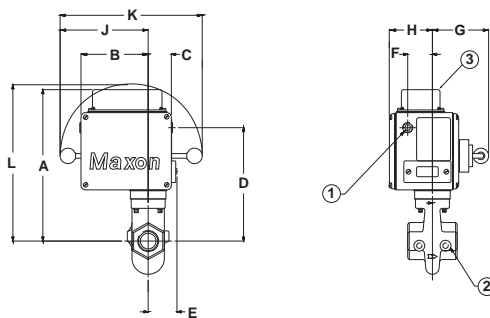
Automatic reset type (SMA11, SMA21, SMA12, SMA22)
(formerly 5000, STO-A, 5000 NI, STO-A-NI)



- 1) (2) 3/4" NPT conduit connection
- 2) (2) 1/4" NPT test connection
- 3) Terminal block cover

NOTE: 70 mm needed for terminal block cover removal

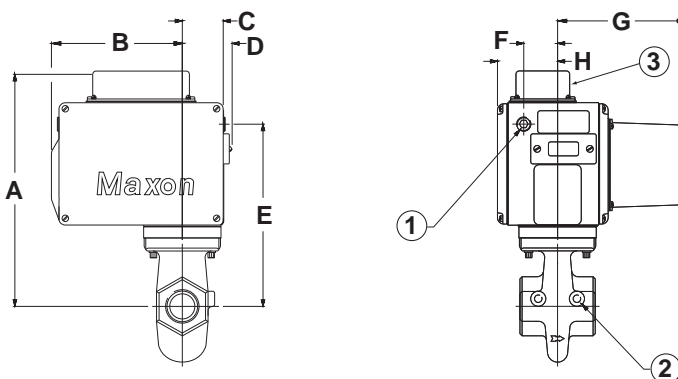
Manual reset type (SMM11, SMM21, SMM12, SMM22)
(formerly 808, STO-M, 808 NI, STO-M-NI)



Valve size	Flow capacity	Valve type	Approximate dimensions (in mm)										
			A	B	C	D	E	F	G	H	J	K	L
3/4" (DN20)	S	MM11, MM21	311	140	47	206	58	51	114	89	181	292	294
		MM12, MM22								139			
		MA11, MA21								89			
		MA12, MA22								139			
1" (DN25)	S	MM11, MM21	311	140	47	206	58	51	114	89	181	292	294
		MM12, MM22								139			
		MA11, MA21								89			
		MA12, MA22								139			
1-1/4" (DN32)	S	MM11	325	140	47	220	58	51	114	89	181	292	308
		MM12								139			
		MA11								89			
		MA12								139			
1-1/2" (DN40)	S	MM11, MM21	338	140	47	232	58	51	114	89	181	292	320
		MM12, MM22								139			
		MA11, MA21								89			
		MA12, MA22								139			

Valve actuators: 2” through 3” valves

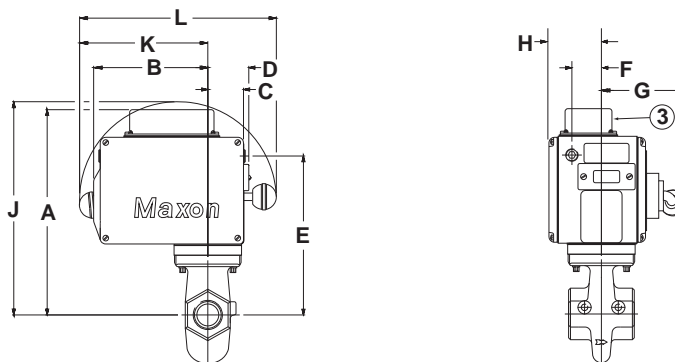
Automatic reset type (SMA11, SMA21, SMA12, SMA22)
(formerly 5000, STO-A, 5000 NI, STO-A-NI)



- 1) (2) 3/4” NPT conduit connection
- 2) (2) 1/4” NPT test connection
- 3) Terminal block cover

NOTE: 70 mm needed for terminal block removal

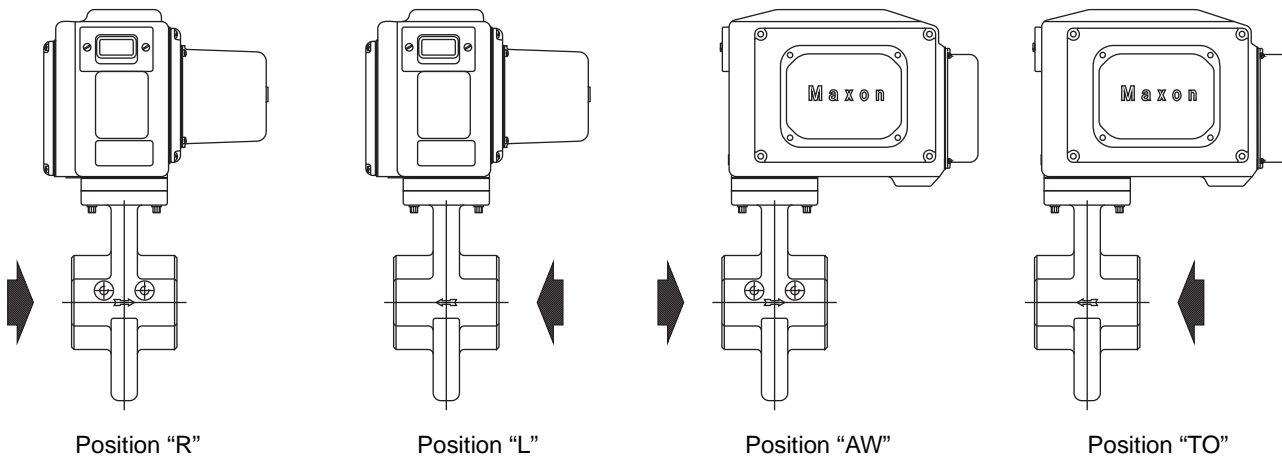
Manual reset type SMM11, SMM21, SMM12, SMM22
(formerly 808, STO-M, 808 NI, STO-M-NI)



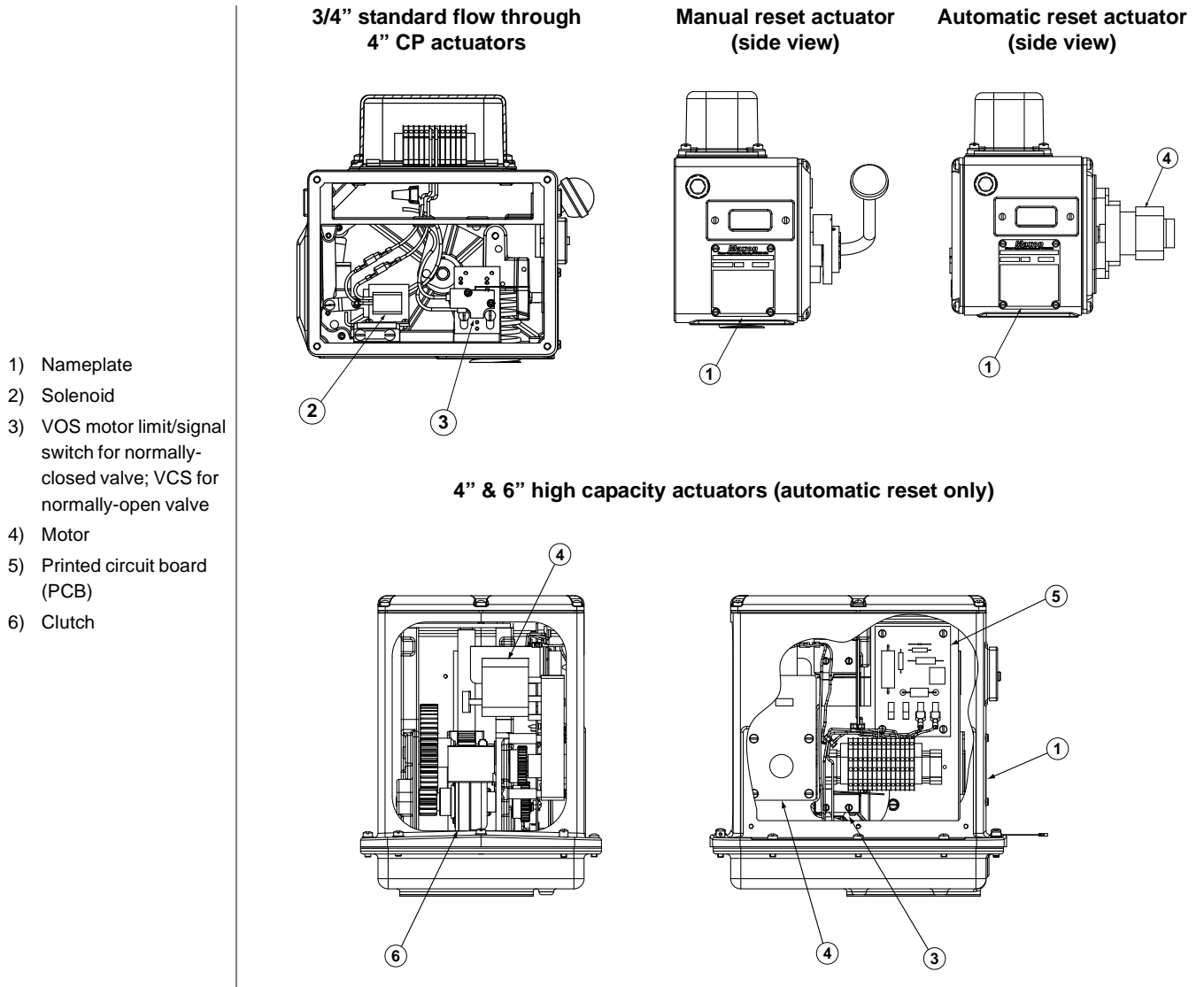
Valve size	Flow capacity	Valve type	Approximate dimensions (in mm)											
			A	B	C	D	E	F	G	H	J	K	L	
2” (DN50)	S	MM11, MM21	375					269		143	89	365	217	333
		MM12, MM22									137			
		MA11, MA21								191	89			
		MA12, MA22									137			
2-1/2” (DN65)	S	MM11	371	193	60	74	266	50	143	89	362	217	333	
		MM12								137				
		MA11							191	89				
		MA12								137				
3” (DN80)	S	MM11	377					272		143	89	368	217	333
		MM12									137			
		MA11								191	89			
		MA12									137			

Available top assembly positions

The valve top assembly can be positioned on the body in four different orientations. See sketches below to determine the designation of the required orientation for your application.



Valve actuator spare part identification



- MAXON nameplates include a model designation, which can be used to easily identify the exact components for each valve configuration.
- Standard flow and CP flow valve spare parts include the solenoid, motor, and switches as shown above.
- High capacity valve spare parts include the clutch, motor and circuit board as shown above.



Please read the operating and mounting instructions before using the equipment. Install the equipment in compliance with the prevailing regulations.

Bedrijfs- en montagehandleiding voor gebruik goed lezen! Apparaat moet volgens de geldende voorschriften worden geïnstalleerd.

Lire les instructions de montage et de service avant utilisation! L'appareil doit impérativement être installé selon les réglementations en vigueur.

Betriebs- und Montageanleitung vor Gebrauch lesen! Gerät muß nach den geltenden Vorschriften installiert werden.



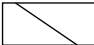




The installation, operation and maintenance instructions contain important information that must be read and followed by anyone operating or servicing this product. Do not operate or service this equipment unless the instructions have been read. **IMPROPER INSTALLATION OR USE OF THIS PRODUCT COULD RESULT IN BODILY INJURY OR DEATH.**

Description

MAXON electro-mechanical valves are electrically actuated fuel shut-off valves. The valves are designed for a fast acting return to the at rest position upon removal of a control voltage signal. Motorized automatic and manual actuators are available depending on application needs. In addition, normally-closed and normally-open options are available. The normally-closed versions will shut off flow when de-energized and pass flow when energized. The normally-open versions will shut off flow when energized and pass flow when de-energized. Electro-mechanical valves are also offered in configurations that meet hazardous locations.

Nameplate and abbreviations

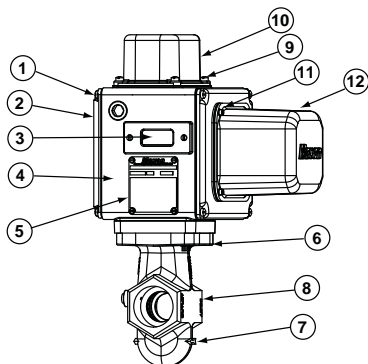
Consult the nameplate of your valve. This lists the maximum operating pressure, temperature limitations, voltage requirements and service conditions of your specific valve. Do not exceed nameplate ratings.

Abbreviation or symbol	Description
M.O.P.	Maximum operating pressure
OPENING	Valve opening time (for automatic valves only). Units shown in seconds.
	Solenoid/clutch voltage and frequency
	Motor voltage and frequency
T _{AMB}	Ambient temperature range
T _F	Fluid temperature range
SHUT	Visual indication that valve is shut
OPEN	Visual indication that valve is open
SPDT (HS)	Single pole double throw hermetically-sealed switch(es)
SPDT	Single pole double throw switch(es)
SPDT (HC)	Single pole double throw high capacity switch(es) (used when DC motors are ordered)
DPDT	Double pole double throw switch(es)
GENERAL PURPOSE AREA	Designates components used in general purpose areas
DIVISION 2 AREA	Designates components used in Division 2 hazardous locations areas
	Valve is shut
	Valve is partially open
	Valve is full open
VOS-1/2	Valve open switch(es)
VCS-1/2	Valve closed switch(es); proof of closure

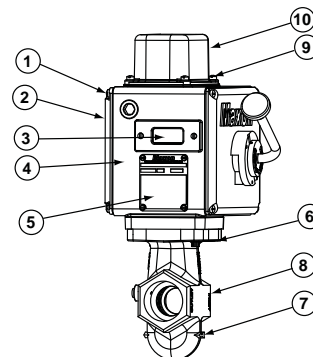
Component identification

- 1) Access cover screws
- 2) Access cover
- 3) Visual indication
- 4) Mainbase
- 5) Nameplate
- 6) Actuator bolts
- 7) Flow arrow
- 8) Valve body
- 9) Terminal block cover screws
- 10) Terminal block cover
- 11) Motor cover screws
- 12) Motor cover
- 13) Top cover plate screws
- 14) Top cover plate
- 15) Top housing
- 16) Top housing screws

Automatic (motorized) valve
Current model designation
(former model designation)
 SMA11 (5000), CMA11 (5000 CP),
 SMA21 (STO-A), CMA21 (STO-A-CP)



Manual valve
Current model designation
(former model designation)
 SMM11 (808), CMM11 (808 CP), SMM21 (STO-M)



Automatic (motorized) valve - 4" & 6" high capacity
Current model designation (former model designation)
 HMA11 (7000)

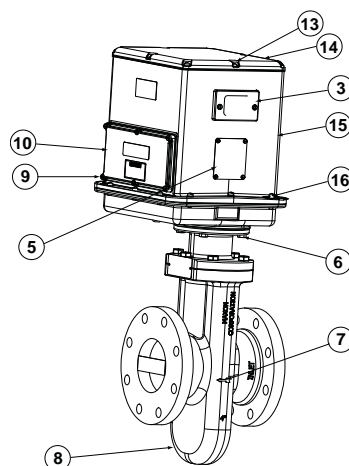


Table 1 - Torque specifications

Valve type	Item number	Description	Torque Nm
Standard and CP valves	1	Access cover screws 1/4-20	11
	6	Actuator bolts 5/16-18 (3/4" - 1-1/2" sizes)	47
	6	Actuator bolts 3/8-16 (2" - 6" sizes)	55
	9	Terminal block cover screws 1/4-20	6
	11	Motor cover screws #10-24	3.5
High capacity valves	9	Terminal block cover screws #10-24	3.5
	13	Top cover plate screws 1/4-20	11
	16	Top housing screws 1/4-20	11

Installation

1. A gas filter or strainer of 40 mesh (0.6 mm) or smaller is recommended in the fuel gas piping to protect the downstream safety shut-off valves.
2. Properly support and pipe the valve in the direction of the flow arrow on the valve body. Valve seats are directional. Sealing will be maintained at full rated pressures in one direction only. Sealing will be provided in reverse flow only at reduced pressures.
3. Mount valve so that open/shut window indicator will be visible to your operating personnel. The open/shut window indicator should never face downward. The valve side plates should be located in a vertical plane for best performance. Valves are usually installed in horizontal piping; however, other orientations are acceptable, subject to the above limitations. The top assemblies of all MAXON valves are field rotatable to allow installations involving conflicts with these mounting restrictions.
4. Wire the valve in accordance with all applicable local and national codes and standards. In U.S. and Canada, wiring must conform to the NEC ANSI/NFPA 70 and/or CSA C22.1, Part 1.
 - Supply voltages must agree with valve's nameplate voltage within -15%/+10% for proper operation. For electrical wiring schematic, see instructions or sample affixed inside valve terminal block cover.
 - Grounding is achieved with a grounding screw, which is located in the top assembly.
 - Customer connections are provided via terminal blocks located in the top assembly.
 - Main power wiring (120 VAC or 240 VAC) must be segregated from lower voltage 24 VDC signal wiring, when both are required.
5. Maintain integrity of the electro-mechanical actuator enclosures by using the appropriate electrical connectors for the (2) 3/4" NPT conduit threaded connections. The electrical enclosure is NEMA 4 rated with an option for NEMA 4X.
6. All access cover plate screws should be tightened using an alternate cross-corner tightening pattern to the values shown in Table 1 on page 10-30.1-31.
7. Verify proper installation and operation by electrically actuating the valve for 10-15 cycles prior to the first introduction of gas.

Auxiliary features

- Non-adjustable proof of closure switch(es) with valve seal over travel interlock
- Auxiliary switch for indication of full travel (open for normally-closed valves, closed for normally-open valves)

Operating environment

- Actuators rated for NEMA 4 or optional NEMA 4X
- Ambient and fluid temperature range of -28°C to 60°C for standard and CP flow constructions
- Ambient and fluid temperature range of -28°C to 52°C for high capacity flow constructions
- All valves for oxygen service or using Ethylene Propylene body seals are limited to a minimum ambient and fluid temperature of -18°C

Actuator assembly rotation



MAXON electro-mechanical valves should be ordered in a configuration compatible with planned piping. If valve orientation is not correct, the actuator assembly can be rotated in 90° increments around the valve body centerline axis using the procedure below.

1. Shut off all electrical power and close off upstream manual cock.
2. Remove terminal block cover plate and disconnect power lead wires. (Tag carefully for later re-assembly.)
3. Remove conduit and electrical leads.
4. Note physical position of any signal switch actuator wands on auxiliary signal switches.
5. Unscrew the two actuator bolts screwed up from the bottom to 6 mm. DO NOT completely remove. These bolts secure the valve body to the valve's top assembly housing.
6. Gently lift the top assembly (not more than 6 mm in height); just enough to break the seal between the valve body assembly and the rubber gasket adhering to the bottom of the top housing.



WARNING: Lifting too far may dislodge some small parts inside the top housing, requiring complex re-assembly and retesting by trained factory personnel.

7. Remove the two actuator bolts screwed up from the bottom (were partially unscrewed in step 5).
8. Carefully rotate top assembly to the desired position in a plane parallel to the top of the valve body casting. Rotate the top housing about 30° beyond this position, and then rotate it back. Reposition the top housing back down onto the valve body casting. This should align the open/shut indicator with its window and provide proper alignment of the internal mechanism.
9. Realign holes in valve body casting with the corresponding tapped holes in the bottom of the top assembly housing. Be sure the gasket is still in place between the body and top housing.
10. Reinsert the actuator bolts up from the bottom through the body and carefully engage threads of the top assembly. Tighten securely.
11. Reconnect conduit and electrical leads, then check that signal switch wands are properly positioned and that the open/shut indicator moves freely. Failure to correct any such misalignment can result in extensive damage to the internal mechanism of your valve.
12. Energize valve and cycle several times from closed to full open position. Also electrically trip the valve in a partially opened position to prove valve operates properly.
13. Replace and secure terminal block cover plate and place valve in service.

Field installation of valve position switch

General

- Shut off fuel supply upstream of valve, then de-energize valve electrically.
- Remove terminal block and access cover to provide access, being careful not to damage gaskets.
- Compare with illustrations below to identify your valve type.

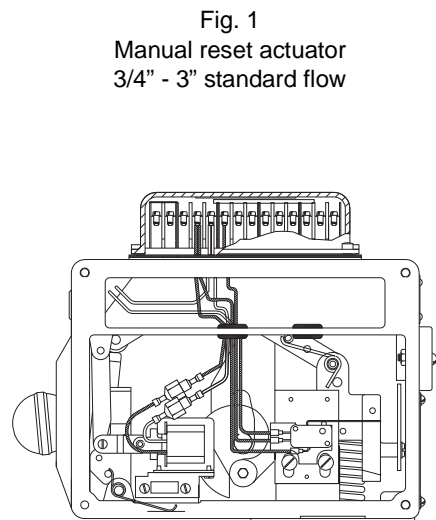
Replacement switches

- Note wand position and mounting hole location carefully, then remove 2 screws and lift existing switch.
- Install replacement switch in same mounting holes on bracket and verify correct wand position.
- Replace existing wiring one connection at a time, following original route and placement.

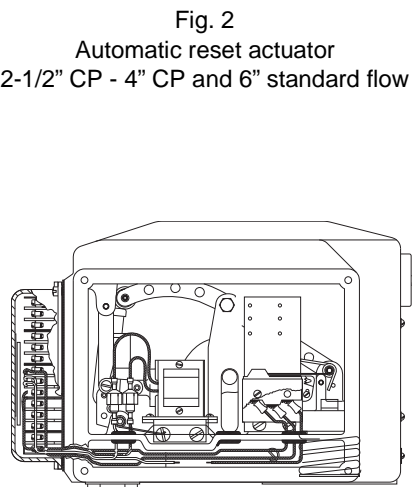
Add switches

NOTE: Instructions below are written for normally-closed valves. For normally-open valves, reverse switch nomenclature (VOS becomes VCS and vice versa).

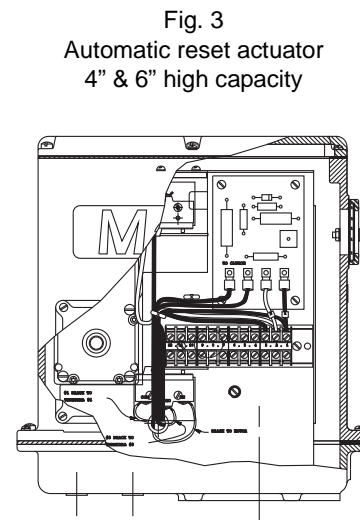
- Check illustrations below. If your valve uses a switch mounting bracket as in Fig. 1 & 2, mount switches to bracket using the mounting holes appropriate for valve type and size. For high capacity valves, mount switches on the support stand.
- Position bracket so VCS wand just touches top of actuator, then move downward slightly, depressing wand until switch clicks, then tighten mounting screws to hold this position.
- Pin bracket by drilling 3 mm diameter holes 6 mm deep into bracket mounting pad through drive pin holes, then tap drive pin in until flush (not required for high capacity valves).
- Route wires to wiring compartment as shown, then complete wiring connections and clean out metal drilling chips from previous procedure.
- Cycle valve, checking switch actuation points carefully. (VCS actuates at top of stem stroke, VOS at bottom.) Simultaneously the valve body must be tested for switch continuity and seat leakage. Bend VOS switch wands slightly if necessary to insure valve is opening fully.
- Replace covers, then return valve to service.



Reference mounting bracket A



Reference mounting bracket B



Switches mount on support stand

Wand position (for normally-closed valves)

VOS switch wand should be actuated from above

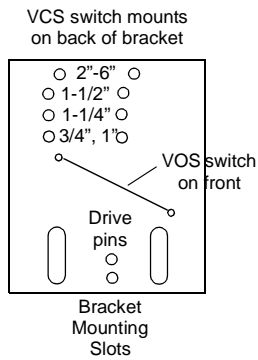


VCS switch wand should be actuated from below

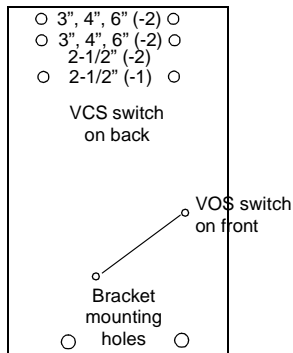


Mounting brackets

Mounting bracket A



Mounting bracket B



Maintenance instructions

MAXON electro-mechanical valves are endurance tested far in excess of the most stringent requirements of the various approval agencies. They are designed for long life even if frequently cycled, and to be as maintenance-free and trouble-free as possible. A valve operational test should be performed on an annual basis. If abnormal opening or closing is observed, the valve should be removed from service and your MAXON representative should be contacted. (See MAXON Technical Document 10-35.1.)

Valve leak test should be performed on an annual basis to assure continued safe and reliable operation. Every MAXON valve is operationally tested and meets the requirements of FCI 70-2 Class VI Seat Leakage when in good operable condition. Zero leakage may not be obtained in the field after it has been in service. For specific recommendations on leak test procedures, see MAXON Technical Document 10-35.2. Any valve that exceeds the allowable leakage, as set forth by your local codes or insurance requirements should be removed from service and your MAXON representative should be contacted.

Actuator assembly components require no field lubrication and should never be oiled.

Auxiliary switches, solenoids, motors, clutches or circuit boards may be replaced in the field.



Do not attempt field repair of valve body or actuator. Any alterations void all warranties and can create potentially hazardous situations.

If foreign material or corrosive substances are present in the fuel line, it will be necessary to inspect the valve to make certain it is operating properly. If abnormal opening or closing is observed, the valve should be removed from service. Contact your MAXON representative for instructions.

Operator should be aware of and observe characteristic opening/closing action of the valve. Should operation ever become sluggish, remove valve from service and contact MAXON for recommendations.

Address inquiries to MAXON. Local worldwide offices may be located at www.maxoncorp.com. Include valve serial number and nameplate information.

Actuator Mounting Instructions

In some cases, the actuator may need to be removed from the valve temporarily during piping. Additionally, the actuator and bracket can be rotated relative to the valve for wiring purposes. The instructions below and the exploded views in Figures 1 and 2 are a guide to proper disassembly and reassembly of a VA... valve actuator assembly with a VKG... butterfly valve.

SQM33/40/45 Actuators

Disassembly

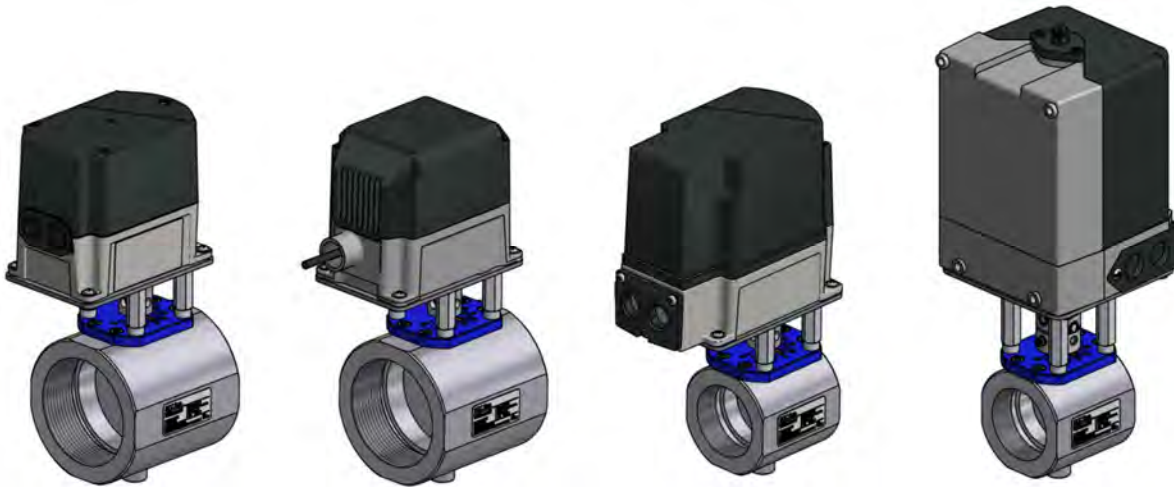
1. Start with the valve at the closed / 0° position.
2. Remove the (4) #8 pan head screws (#2 phillips drive) and associated washers that fasten the actuator to the large bracket.
3. Loosen the (2) M4 socket cap screws (3mm hex drive) that fasten the small bracket to the coupling.
4. Pull back on the small bracket and lift the actuator off of the large bracket and out of the coupling.
5. Remove the (4) M6 flat head socket cap screws (4mm hex drive) from the large bracket and lift the bracket off of the 1/2" hex standoffs.
6. **If more clearance is needed for piping**, remove the (4) 1/2" hex standoffs using a crescent wrench. Also, remove the M4 socket cap screw (3mm hex drive) and lock washer fastening the coupling to the valve shaft, and lift the coupling off of the valve. **If the actuator is being rotated relative to the valve for wiring purposes**, remove the M4 socket cap screw (3mm hex drive) and lock washer fastening the coupling to the valve shaft, and lift the coupling off of the valve.

Reassembly

7. **If the (4) 1/2" hex standoffs were removed in step 6**, thread them back into the threaded holes on top of the valve and tighten with a crescent wrench. **If the coupling was removed in step 6**, slide the coupling back over the valve shaft. Insert the M4 socket cap screw and lock washer through the coupling and valve shaft so that the coupling is in the desired position of the (4) clockable positions. The valve should still be at the closed / 0° position.
8. Fasten the large bracket back onto the standoffs with the (4) M6 flat head socket cap screws (4mm hex drive) so that the overhanging section of the large bracket is on the opposite side of the coupling as the small bracket.
9. Insert a small flat head screwdriver into the keyhole (see Figure 1) between the thrust band, and with the other hand, grab the actuator and push it into the coupling until the actuator shaft clears the small bracket. Remove the screwdriver from the keyhole.
10. Press down on the actuator until it bottoms out on the large bracket.
11. Fasten the actuator to the large bracket with the (4) #8 pan head screws (#2 phillips drive) and associated washers. Then, tighten the (2) M4 socket cap screws (3mm hex drive) to secure the small bracket to the flat of the D-shaft.

VA Series

VA... Valve Actuator Assemblies with VKG Butterfly Valves



Description

VA... valve actuator assemblies include a Siemens SQM... actuator reliably mounted to a VKG... butterfly valve to control the flow of natural gas, propane, butane, or air.

Features

- Precision machined components enable the use of a solid shaft coupling
- Shaft coupling provides a positive connection between the valve and actuator without actuator or valve shaft damage
- Modular design enables field actuator clocking in 90° increments

Application

VA... valve actuator assemblies mount an SQM33, SQM40, SQM45, or SQM50 actuator to a VKG... butterfly valve. The VKG... valve and SQM... actuator are rigidly mounted with Siemens engineered brackets and couplings to ensure precise shaft alignment. VKG technical instructions (CVLV-2000) provide sizing and additional valve information.

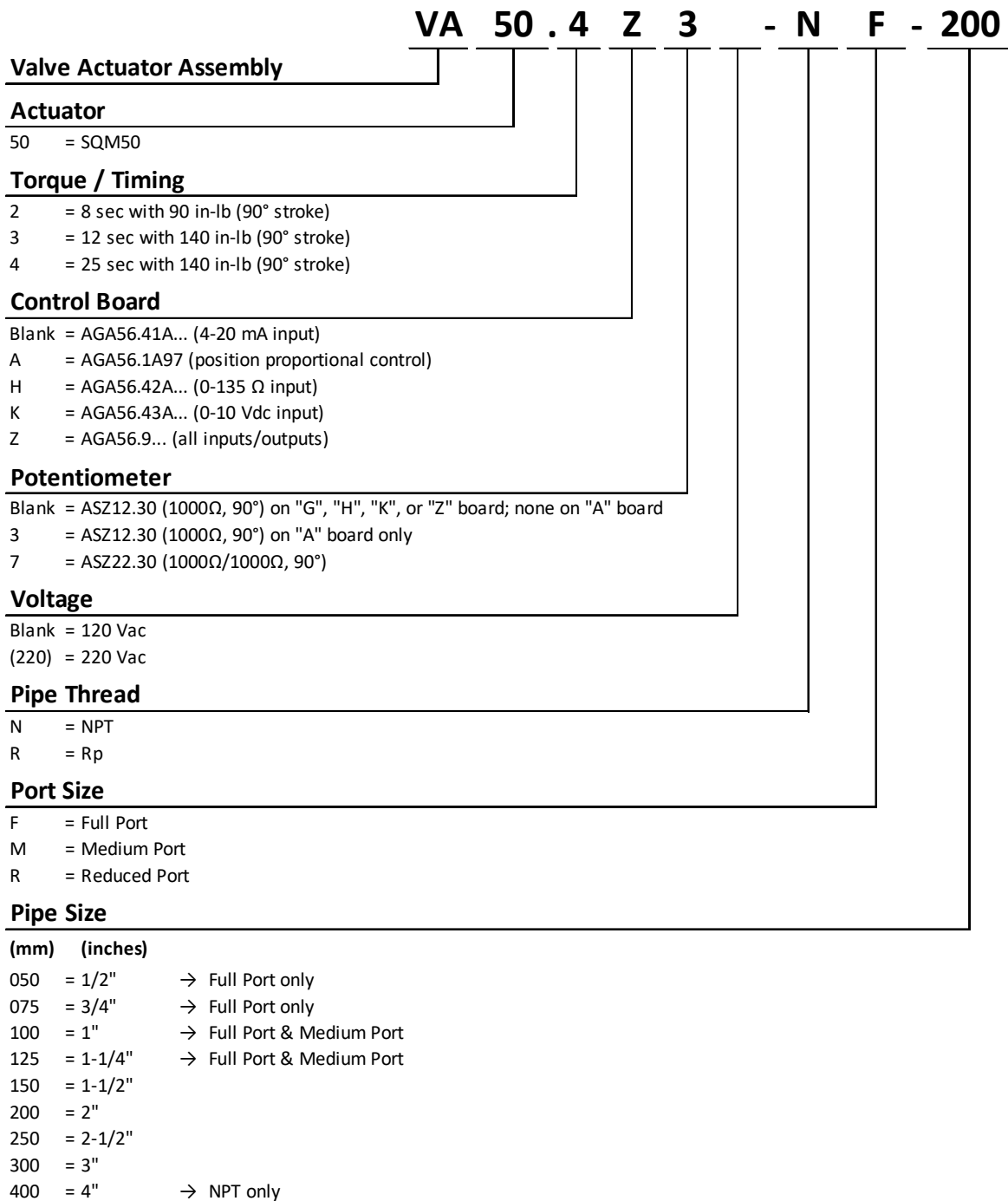
Product Part Numbers

The following chart provides VA... valve actuator assembly part number identification including an SQM33, SQM40, or SQM45 actuator. Technical instructions for SQM33 (N7813), SQM40 (N7817), or SQM45 (N7814) actuators are available at www.scccombustion.com.

	VA	33	-	N	-	F	-	200	-	N4
Valve Actuator Assembly										
Actuator										
33 = SQM33.550A9 (stepper, for use with LMV3...)										
40.11 = SQM40.115R11 (12.5 sec, 135 Ohm/4-20 mA, high/low fire feedback)										
40.15 = SQM40.155R11 (12.5 sec, 4-20 mA, independent aux switch)										
40.18 = SQM40.185R11 (12.5 sec, 3-position, 3 independent aux switches)										
40.21 = SQM40.215R11 (25 sec, 135 Ohm/4-20 mA, high/low fire feedback)										
40.25 = SQM40.255R11 (25 sec, 4-20 mA, independent aux switch)										
40.26 = SQM40.265R11 (25 sec, 3-position, high/low fire feedback)										
40.27 = SQM40.275R10 (25 sec, high/low basic version)										
40.28 = SQM40.285R11 (25 sec, 3-position, 3 independent aux switches)										
45.2 = SQM45.295B9 (stepper, for use with LMV5...)										
Voltage										
Blank = 120 Vac SQM40 or standard SQM33 or SQM45										
(220) = 220 Vac (not available for SQM33 & SQM45 actuators)										
Pipe Thread										
N = NPT										
R = Rp										
Port Size										
F = Full Port										
M = Medium Port										
R = Reduced Port										
Pipe Size										
(mm) (inches)										
050 = 1/2" → Full Port only										
075 = 3/4" → Full Port only										
100 = 1" → Full Port & Medium Port										
125 = 1-1/4" → Full Port & Medium Port										
150 = 1-1/2"										
200 = 2"										
250 = 2-1/2"										
300 = 3"										
400 = 4" → NPT only										
Actuator NEMA Rating										
Blank = NEMA 12 SQM33 or SQM45; NEMA 4 SQM40										
N4 = NEMA 4 SQM33 or SQM45										

Product Part Numbers (continued)

The following chart provides VA... valve actuator assembly part number identification including an SQM50 actuator. All VA... assemblies with an SQM5... actuator and a VKG... butterfly valve include the AGA55.5 NEMA 4 kit. Technical instructions for SQM50 (155-517) actuators are available at www.scccombustion.com.



Actuator Mounting Instructions

In some cases, the actuator may need to be removed from the valve temporarily during piping. Additionally, the actuator and bracket can be rotated relative to the valve for wiring purposes. The instructions below and the exploded views in Figures 1 and 2 are a guide to proper disassembly and reassembly of a VA... valve actuator assembly with a VKG... butterfly valve.

SQM33/40/45 Actuators

Disassembly

1. Start with the valve at the closed / 0° position.
2. Remove the (4) #8 pan head screws (#2 phillips drive) and associated washers that fasten the actuator to the large bracket.
3. Loosen the (2) M4 socket cap screws (3mm hex drive) that fasten the small bracket to the coupling.
4. Pull back on the small bracket and lift the actuator off of the large bracket and out of the coupling.
5. Remove the (4) M6 flat head socket cap screws (4mm hex drive) from the large bracket and lift the bracket off of the 1/2" hex standoffs.
6. **If more clearance is needed for piping**, remove the (4) 1/2" hex standoffs using a crescent wrench. Also, remove the M4 socket cap screw (3mm hex drive) and lock washer fastening the coupling to the valve shaft, and lift the coupling off of the valve. **If the actuator is being rotated relative to the valve for wiring purposes**, remove the M4 socket cap screw (3mm hex drive) and lock washer fastening the coupling to the valve shaft, and lift the coupling off of the valve.

Reassembly

7. **If the (4) 1/2" hex standoffs were removed in step 6**, thread them back into the threaded holes on top of the valve and tighten with a crescent wrench. **If the coupling was removed in step 6**, slide the coupling back over the valve shaft. Insert the M4 socket cap screw and lock washer through the coupling and valve shaft so that the coupling is in the desired position of the (4) clockable positions. The valve should still be at the closed / 0° position.
8. Fasten the large bracket back onto the standoffs with the (4) M6 flat head socket cap screws (4mm hex drive) so that the overhanging section of the large bracket is on the opposite side of the coupling as the small bracket.
9. Insert a small flat head screwdriver into the keyhole (see Figure 1) between the thrust band, and with the other hand, grab the actuator and push it into the coupling until the actuator shaft clears the small bracket. Remove the screwdriver from the keyhole.
10. Press down on the actuator until it bottoms out on the large bracket.
11. Fasten the actuator to the large bracket with the (4) #8 pan head screws (#2 phillips drive) and associated washers. Then, tighten the (2) M4 socket cap screws (3mm hex drive) to secure the small bracket to the flat of the D-shaft.

Actuator Mounting Instructions (continued)

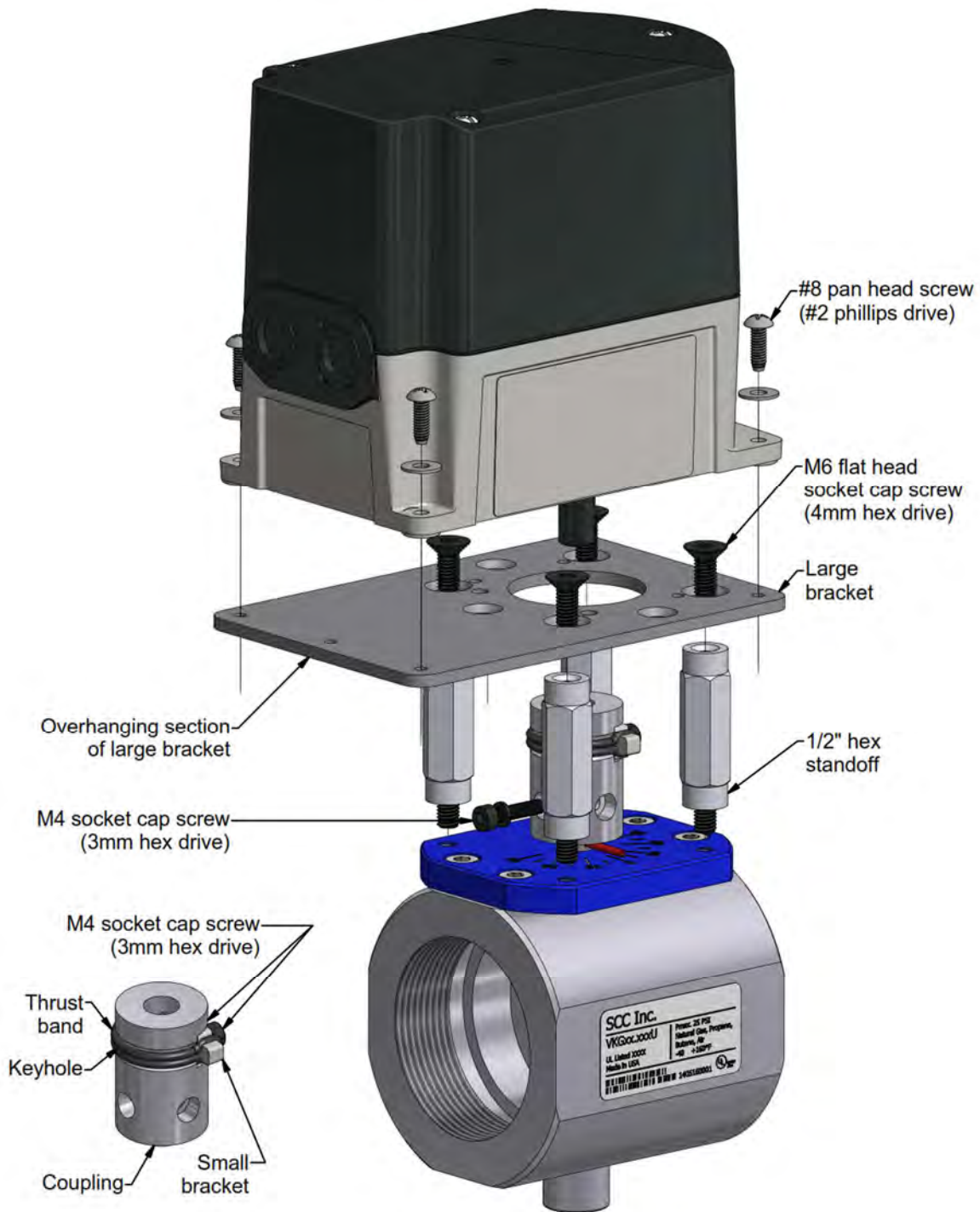


Figure 1: Exploded View of VA45.2-NF-200

Actuator Mounting Instructions (continued)

SQM50 Actuators

Disassembly

1. Start with the valve at the closed / 0° position.
2. Using a 10mm open end wrench (or crescent wrench), remove the (4) M6 hex head cap screws and lock washers that fasten the actuator to the bracket.
3. Loosen the #12 socket cap screw (5/32" hex drive) that clamps the actuator into the top hub of the coupling.
4. Pull the actuator off of the bracket and out of the coupling.
5. Remove the (4) M6 flat head socket cap screws (4mm hex drive) from the bracket and lift the bracket off of the 1/2" hex standoffs.
6. **If more clearance is needed for piping**, remove the (4) 1/2" hex standoffs using a crescent wrench. Also, remove the M4 socket cap screw (3mm hex drive) and lock washer fastening the coupling to the valve shaft, and lift the coupling off of the valve.

Reassembly

7. **If the (4) 1/2" hex standoffs were removed in step 6**, thread them back into the threaded holes on top of the valve and tighten with a crescent wrench.
8. Fasten the bracket back onto the standoffs with the (4) M6 flat head socket cap screws (4mm hex drive) in the desired position of the (4) clockable positions.
9. Using a 10mm open end wrench (or crescent wrench), fasten the actuator to the large bracket with the (4) M6 hex head cap screws and lock washers.
10. Tighten the #12 socket cap screw (5/32" hex drive) to clamp the top coupling hub around the actuator shaft.

Actuator Mounting Instructions (continued)

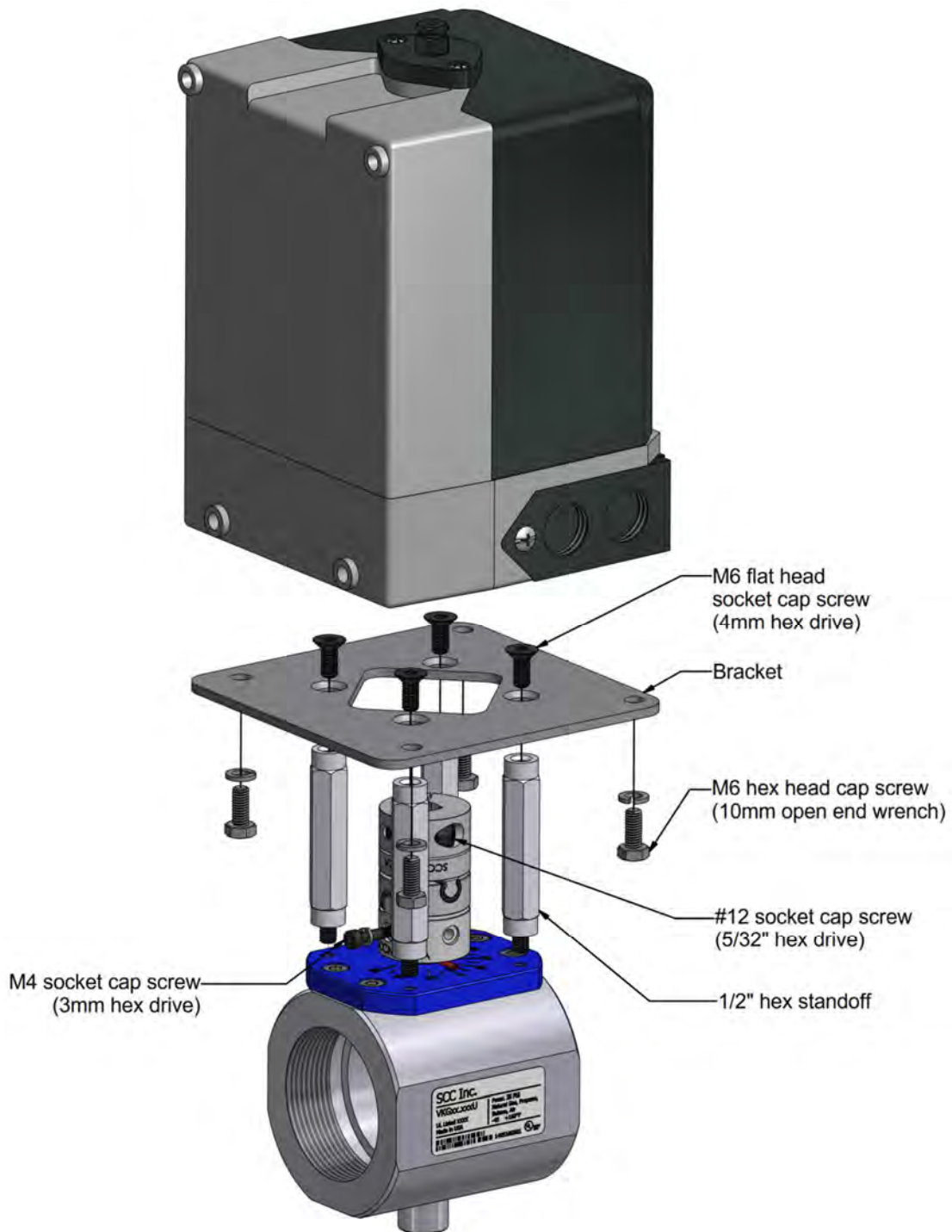


Figure 2: Exploded View of VA50.4-NF-200

Dimensions

VA40... and Standard VA33... and VA45... Assemblies

Dimensions in inches; millimeters in brackets

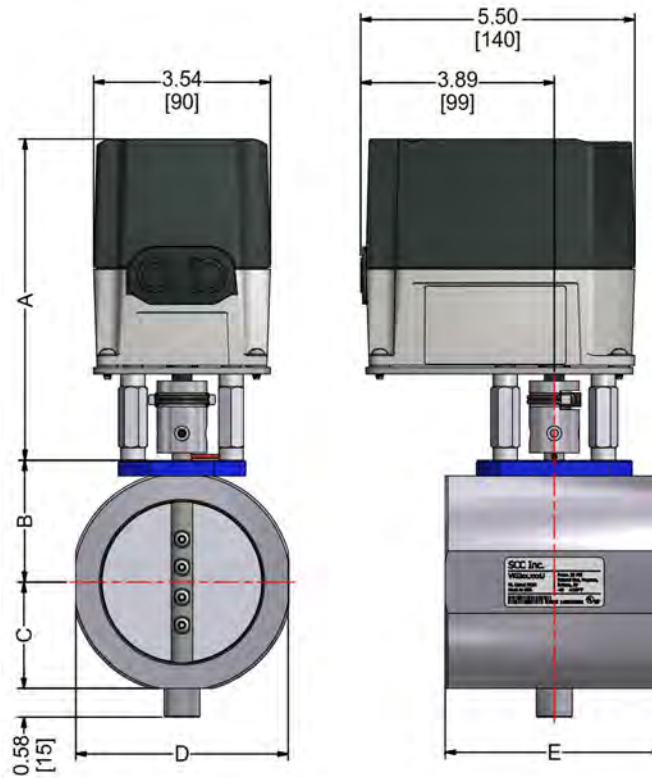


Table 1: VA40... and Standard VA33... and VA45... Dimensions

Actuator	A	Assembly Part Number Suffix	B	C	D	E
SQM45...	6.45 [164]	050	1.35 [34]	1.04 [26]	2.08 [53]	3.25 [83]
		075	1.35 [34]	1.04 [26]	2.08 [53]	3.25 [83]
		100	1.35 [34]	1.04 [26]	2.08 [53]	3.25 [83]
SQM33...	6.44 [164]	125	1.53 [39]	1.22 [31]	2.44 [62]	3.25 [83]
		150	1.63 [41]	1.31 [33]	2.63 [67]	3.25 [83]
		200	1.87 [47]	1.55 [39]	3.11 [79]	3.25 [83]
SQM40...	7.75 [197]	250	2.18 [55]	1.87 [47]	3.74 [95]	4.38 [111]
		300	2.44 [62]	2.13 [54]	4.26 [108]	4.38 [111]
		400	2.96 [75]	2.64 [67]	5.28 [134]	5.00 [127]

Dimensions

NEMA 4 VA33... and VA45... Assemblies

Dimensions in inches; millimeters in brackets

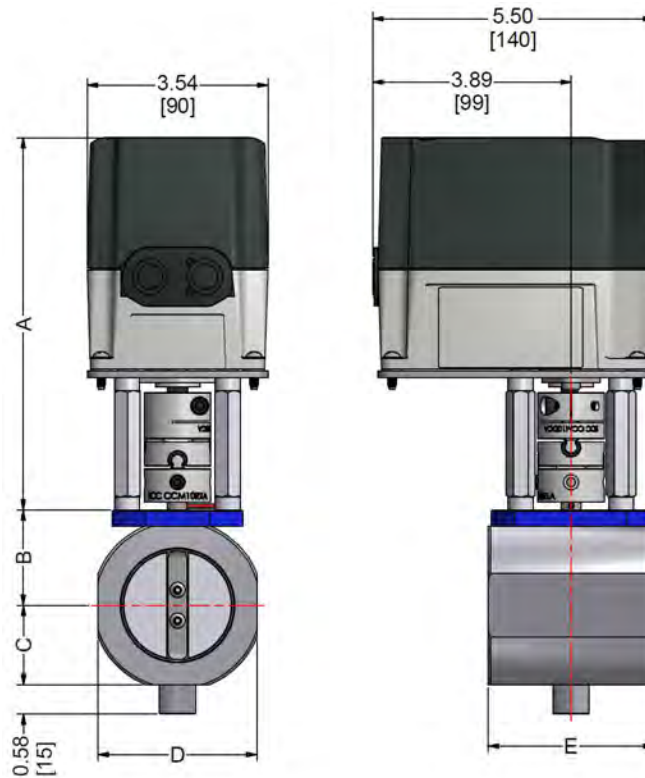


Table 2: NEMA 4 VA33... and VA45... Dimensions

Actuator	A	Assembly Part Number Suffix	B	C	D	E
SQM45...	7.30 [185]	050	1.35 [34]	1.04 [26]	2.08 [53]	3.25 [83]
		075	1.35 [34]	1.04 [26]	2.08 [53]	3.25 [83]
		100	1.35 [34]	1.04 [26]	2.08 [53]	3.25 [83]
SQM33...	7.29 [185]	125	1.53 [39]	1.22 [31]	2.44 [62]	3.25 [83]
		150	1.63 [41]	1.31 [33]	2.63 [67]	3.25 [83]
		200	1.87 [47]	1.55 [39]	3.11 [79]	3.25 [83]
		250	2.18 [55]	1.87 [47]	3.74 [95]	4.38 [111]
		300	2.44 [62]	2.13 [54]	4.26 [108]	4.38 [111]
		400	2.96 [75]	2.64 [67]	5.28 [134]	5.00 [127]

Dimensions (continued)

VA50... Assemblies

Dimensions in inches; millimeters in brackets

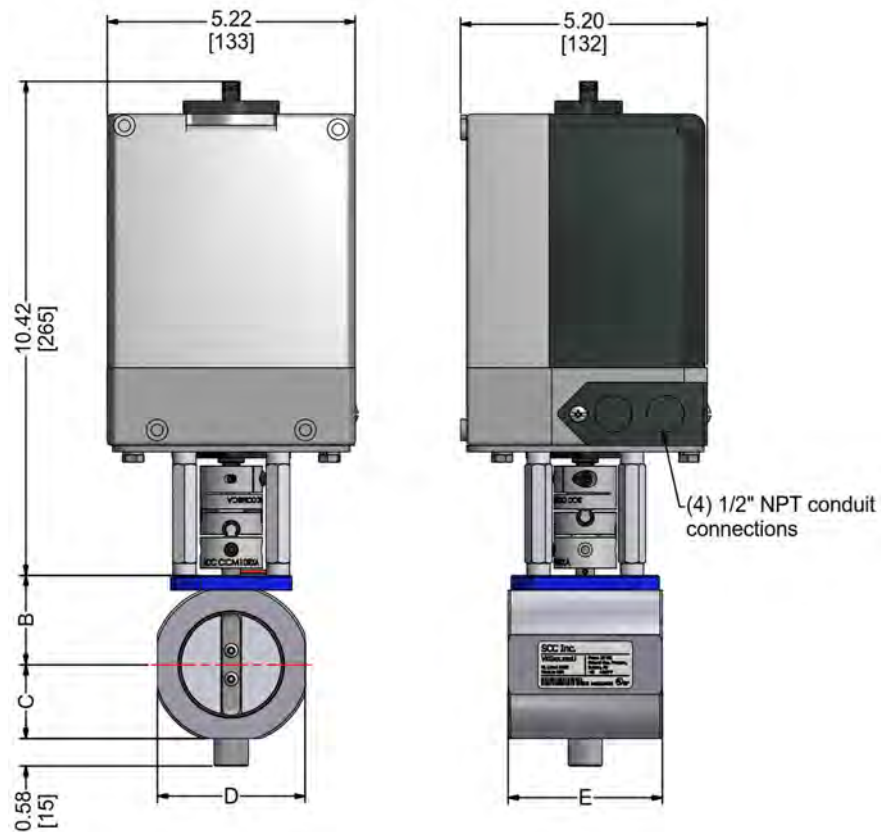


Table 3: VA50... Dimensions

Assembly Part Number Suffix	B	C	D	E
050	1.35 [34]	1.04 [26]	2.08 [53]	3.25 [83]
075	1.35 [34]	1.04 [26]	2.08 [53]	3.25 [83]
100	1.35 [34]	1.04 [26]	2.08 [53]	3.25 [83]
125	1.53 [39]	1.22 [31]	2.44 [62]	3.25 [83]
150	1.63 [41]	1.31 [33]	2.63 [67]	3.25 [83]
200	1.87 [47]	1.55 [39]	3.11 [79]	3.25 [83]
250	2.18 [55]	1.87 [47]	3.74 [95]	4.38 [111]
300	2.44 [62]	2.13 [54]	4.26 [108]	4.38 [111]
400	2.96 [75]	2.64 [67]	5.28 [134]	5.00 [127]

Information in this publication is based on current specifications. The company reserves the right to make changes in specifications and models as design improvements are introduced. Product or company names mentioned herein may be the trademarks of their respective owners. © 2014 SCC Inc.

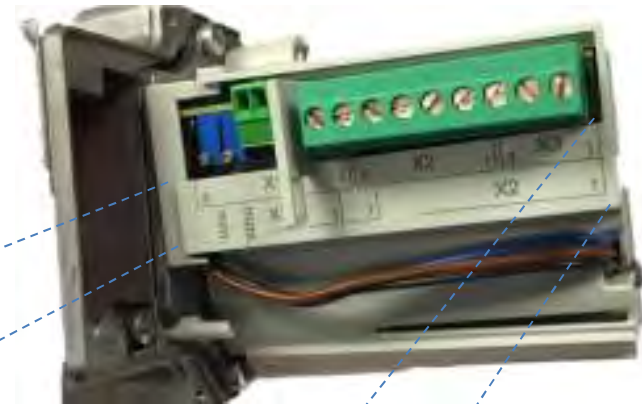
SCC Inc.
 1250 Lunt Avenue
 Elk Grove Village, IL 60007
 U.S.A.

Your feedback is important to us. If you have comments about this document, please send them to techsupport@scccombustion.com

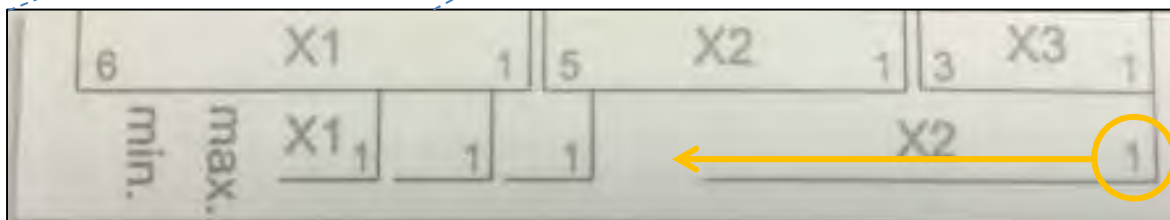
Document No. VA-1000
 Country of Origin: US
 Page **10**

Identify Board # and Terminal ID Row

Board # Identification
 SQM4x.x1xxxx – Board #1
 SQM4x.x2xxxx – Board #2
 Etc...
 SQM4x.x8xxxx – Board #8



Since the same template plate below is used on all actuators, the appropriate Terminal Identification Row needs to be determined. Rows are identified below.



← Board #3, #6, #7, #8

← Board #1, #2, #4, #5

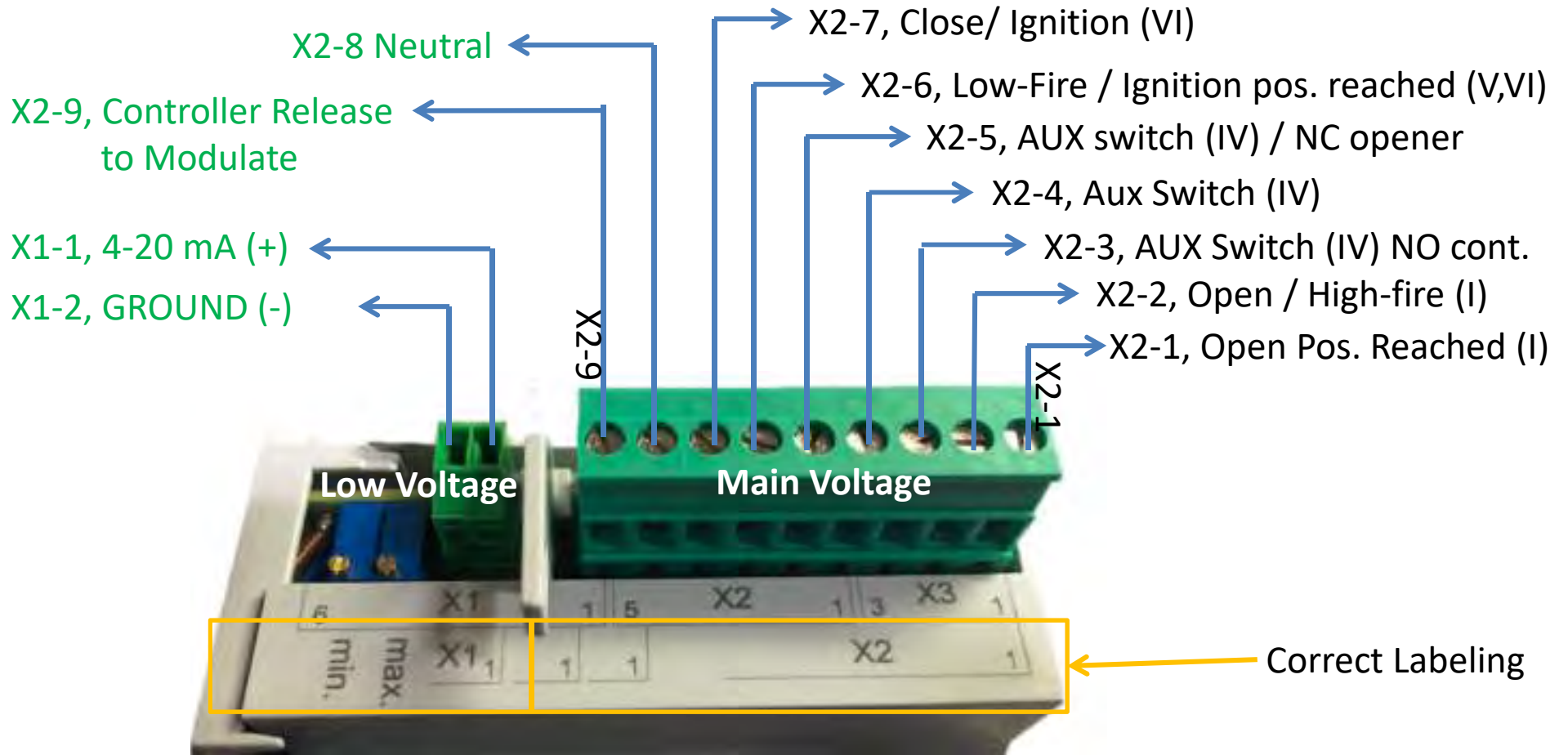
Increasing for all terminal positions

Figure. Terminal Labeling

Wiring of SQM4x.x5xxxx Board 5

[Technical Instruction SQM4](#)
page 23 for additional
information

Green Indicates the minimum wiring
for actuator to operate





Actuator SQM40.../SQM41...

Actuators for air and gas dampers

**SQM40...
SQM41...**

- Electromotoric actuator up to 18 Nm torque
- Clockwise and counterclockwise variants
- Running times from 5 to 65 seconds
- Different shaft ends available
- Electronic version with analog control input
- Internal position indication
- Drive shaft can be disengaged
- Variants with UL and CSA approval, as well as GL marine approval

The SQM40.../SQM41... and this Data Sheet are intended for use by OEMs which integrate the actuators in their products!

Use

The SQM40.../SQM41... actuators are suited for driving oil pressure controller, butterfly valves, dampers or for use on other applications that require rotary motion. Areas of application are oil and gas burners of medium to higher capacity as well as thermal process plants.

The actuators are used primarily for load-dependent control of the flow of gas, oil and combustion air:

- In connection with modulating 3-position controllers or continuous controllers (e.g., 4...20 mA) and/or...
- ... directly by burner controls

Supplementary documentation

Product type	Type of documentation	Documentation number
SQM45... / SQM48...	Data Sheet	N7814
SQM10... / SQM20...	Data Sheet	N7812
ASZ...	Data Sheet	N7921
ASZ22.3x	Mounting Instruction	74 319 0921 0 (M7921)

Warning notes



To avoid injury to persons, damage to property or the environment, the following warning notes must be observed!

Only qualified personnel may open, interfere with or modify the actuators!

- Read the documentation on the actuators carefully and fully. If not observed, dangerous situations might occur
- The user must ensure that the actuators meet the requirements of the relevant application standards
- Safety-related applications are only available with Siemens burner controls!
- All product-related activities (mounting, settings and maintenance) must be performed by qualified and authorized personnel



Caution!

- Risk of electric shock hazard – to disconnect the actuator from power, it may be necessary to open more than one switch. Before performing maintenance work, the actuator must be disconnected from power
- The electrical connection between the conduit fittings is not made automatically. It must be established on installation site
- The connecting plate is made of plastic and does not provide earthing of the conduit fittings. Earthing must be ensured by adequate washers and wire links
- All cam switch settings must satisfy the requirements of the relevant application standards
- To provide protection against electric shock hazard, the connecting terminals must have adequate touch protection. Make certain that non-insulated connections or wires cannot be touched
- Each time work has been carried out (mounting, installation, service work, etc.), check to ensure that wiring is in an orderly state
- Fall or shock can adversely affect the safety functions. Such actuators must not be put into operation even if they do not exhibit any damage
- Static charges must be avoided since they can damage the actuator's electronic components when touched.

Recommendation: Use ESD equipment

Notes on use in North America

- Use of flexible conduit including adequate accessories is mandatory
- Use of copper wiring is mandatory
- All circuits of class 2 must use cables type CL3, CL3R, CL3P or comparable types, OR
All circuits are wired according to class 1 (electrical light or power circuits)

Mounting notes

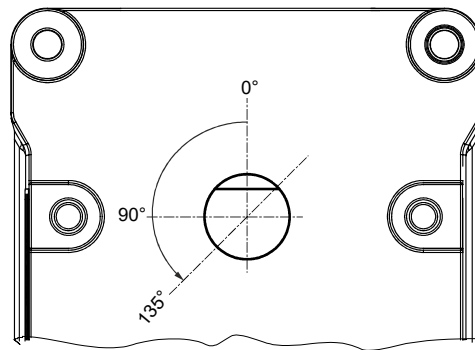
- Ensure that the relevant national safety regulations and notes on standards are complied with
- In geographical areas where DIN regulations apply, the mounting and installation requirements of VDE must be satisfied, especially DIN/VDE 0100, 0550 and DIN/VDE 0722
- Make certain that the actuator is not exposed to direct solar radiation
- Required tightening torques for the fixing screws of the
 - housing cover: 3.5 Nm
 - connecting cover: 2 Nm



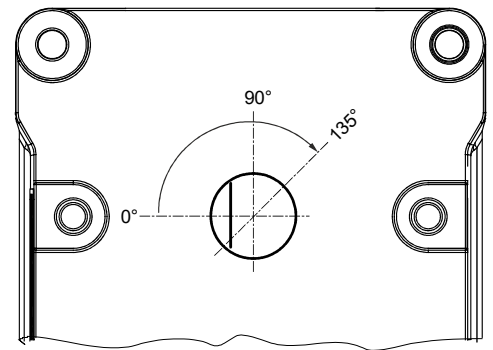
Note!

Ensure correct direction of rotation!

SQM40... (left, CCW)



SQM41... (right, CW)



7817z13/0315

Installation notes

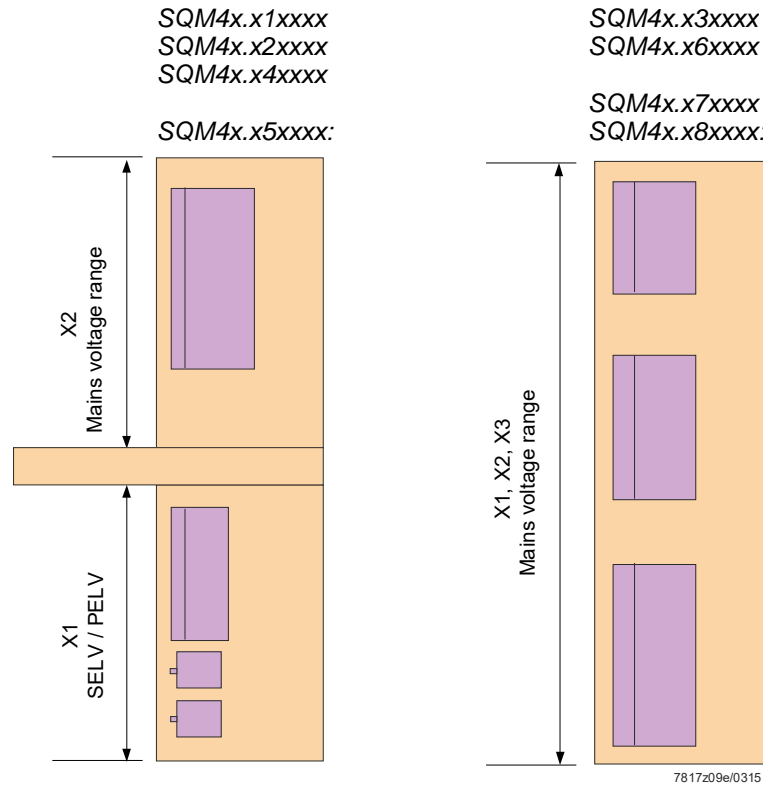
- Ensure that the electrical wiring is in compliance with national and local safety regulation
- Make certain that strain relief of the connected cables conforms to the relevant standards (e.g. as per DIN EN 60730 and DIN EN 60335)
- Ensure that spliced wires cannot get into contact with neighboring terminals. Use adequate ferrules
- Unused terminals of the SQM40.../SQM41... must be covered by dummy plugs
- When making the wiring, the AC 120 V or AC 230 V section must be separated from other voltage sections, thus ensuring protection against electric shock hazard
- The connection between the actuator drive shaft and the relevant controlling element must be form-fitted
- Only plastic versions of cable glands may be used

Electrical connection

- The actuators must always be powered via a prefuse of max. 6.3 AT (as per DIN EN 6012- 2/5)
- For the protective earth connection, the housing of all variants has a marked **PE** connecting terminal. A tightening torque of 1.2 Nm must be observed for fitting the screw
- The supplied RAST3.5 connectors or RAST5 connectors must be used with screw terminals for electrical connections. A tightening torque of 0.25 Nm must be observed for fitting the screw

Note!
 The connection of fuel valves is only permitted on fused output terminals, see chapter *Connection diagrams*. For this purpose, specific unit variants are available fitted with a unit-internal, non-replaceable fuse. The unit-internal fuse is used to protect each switching contact from welding in the event of external short-circuit. In addition, please note that the maximum current load for the fused output terminals is reduced, see chapter *Connection diagrams*.

Marking of the SQM40... / SQM41... connection areas:



Note!
 SELV or PELV depends on the safety class of the connected components. In the case of PELV, the relevant component is connected to protective earth.

Cam settings

The mechanical setting facility for the cams is physically separated from the connection terminals. When the actuator is disconnected from power, the switches can be adjusted via a scale. The cams can be changed via adjusting screws. The scale indicates the angles of the switching points.

Standards and certificates



Applied directives:

- Low-voltage directive 2014/35/EC
- Electromagnetic compatibility EMC (immunity) 2014/30/EC

Compliance with the regulations of the applied directives is verified by the adherence to the following standards / regulations:

- Automatic electrical controls for household and similar use Part 2-14: Special requirements on electric actuators DIN EN 60730-2-14
- Automatic electrical controls for household and similar use Part 1: General requirements DIN EN 60730-1

The relevant valid edition of the standards can be found in the declaration of conformity!



EAC Conformity mark (Eurasian Conformity mark)



ISO 9001:2015
ISO 14001:2015
OHSAS 18001:2007



China RoHS
Hazardous substances table:
<http://www.siemens.com/download?A6V10883536>



For types marked with **R**
Example: SQM40.264**R**10
For use in US/Canada where the power supply lines require a connection facility for flexible conduit, the actuator's product no. includes type suffix «R» (see following example). These products are **UL** and **CSA** listed.



For types marked with **36** or **38**
Examples: SQM4x.36xA**2**x, SQM4x.38xA**2**x
For marine applications, environmental category A.

Lifetime

The actuator has a designed lifetime* of 250,000 start cycles (close ⇒ open ⇒ close) under load with the rated torque in the entire rotation angle range, which under normal operating conditions in heating mode corresponds to approx. 10 years of usage (starting from the date of manufacture on the device type plate). This lifetime is based on the endurance tests specified in standard EN 298. A summary of the conditions has been published by the European Control Manufacturers Association (Afecon - www.afecor.org).

The designed lifetime is based on use of the actuator according to the manufacturer's Data Sheet. After reaching the designed lifetime in terms of the number of startup cycles, or the respective time of usage time, the actuator is to be replaced by authorized personnel.

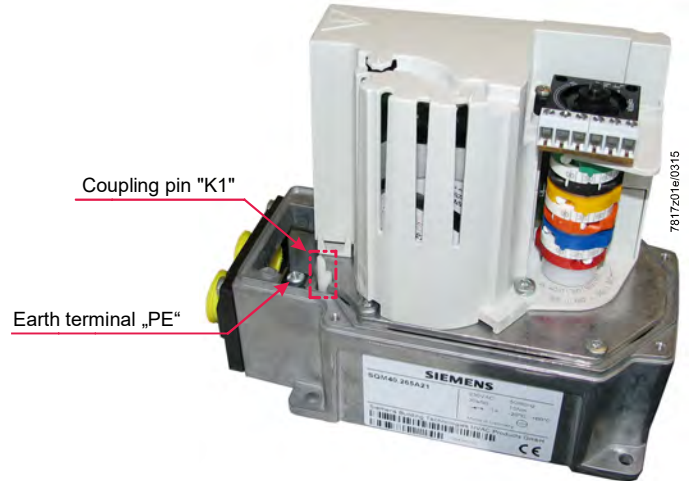
* The designed lifetime is not the warranty time specified in the Terms of Delivery.

Disposal notes

The unit contains electrical and electronic components and must not be disposed of together with domestic waste. Local and currently valid legislation must be observed.

Mechanical design

- | | |
|-------------|--|
| Housing | <ul style="list-style-type: none"> • Lower housing part made of die-cast aluminum • Housing cover made of impact-proof and heat-resistant plastic |
| Drive motor | <ul style="list-style-type: none"> • Synchronous motor |
| Coupling | <ul style="list-style-type: none"> • Shaft can be manually disengaged from the motor by operating the coupling (coupling pin (K1)) • Automatic reengagement
Disengagement of drive shaft / motor by pressing coupling pin «K1» |



- | | |
|--------------------------------|---|
| Earthing connection | <ul style="list-style-type: none"> • Earth terminal (PE) with screw fitting |
| Cam shaft drive | <ul style="list-style-type: none"> • Non-reactive gear |
| Adjustment of switching points | <ul style="list-style-type: none"> • With adjustable cams • Scales beside the cams indicate the angle of the switching point |
| Position indicator | <ul style="list-style-type: none"> • Internally <ul style="list-style-type: none"> – Scale 0...135° at the end of the cam assembly – Scale range to direction of rotation with arrow marking for SQM41 or with marking in slot die for SQM40 |
| Electrical connections | <ul style="list-style-type: none"> • RAST3.5 screw terminals are factory supplied, depending on the PCB variant • RAST5 screw terminals are factory supplied, depending on the PCB variant • Optional: Insulation displacement connectors • Cable entry by means of 2 openings in the connector cover supplied. The cable glands are not included in the scope of delivery • Large openings in the housing allow easy cable installation |
| Gear train | Maintenance-free gearwheels and bearings. |
| Drive shaft | <ul style="list-style-type: none"> • Different shaft versions available, shafts are supplied assembled • Drive shaft is not replaceable |
| Actuator fixing | Mounting holes on the lower side of the housing (shaft side), such as actuators SQM45... / SQM48... using M5 screws, or alternatively as actuators SQM10... / SQM20... front mounting using M5 self-tapping screws (see chapter <i>Dimensions</i>). |

Type summary (other types on request)

Article no.	Type	Direction of rotation		Torque ¹⁾ / running time ¹⁾ for 90°	PCB						Shaft no.	Regional version		Operating voltage		Potentiometer	
		Counter-clockwise	Clockwise		Electronic version Diagram no.	Switch version Diagram no.	3-position	2-position	No. of switches	No. of relay		EU	US / Canada	AC120V	AC230V	Double 90°	Double 135°
BPZ:SQM40.025A21	SQM40.025A21	●		2.5 Nm / 5 s	2				4		5	●			●	●	
BPZ:SQM40.065A23	SQM40.065A23	●		2.5 Nm / 5 s		6	●		6		5	●			●		●
BPZ:SQM40.115R11	SQM40.115R11	●		5 Nm / 15 s	1				3		5		●	●		●	
BPZ:SQM40.115R13	SQM40.115R13	●		5 Nm / 15 s	1				3		5		●	●			●
BPZ:SQM40.141A21	SQM40.141A21	●		5 Nm / 15 s	4				3		1	●			●	●	
BPZ:SQM40.144R11	SQM40.144R11	●		5 Nm / 15 s	4				3		4		●	●		●	
BPZ:SQM40.145A21	SQM40.145A21	●		5 Nm / 15 s	4				3		5	●			●	●	
BPZ:SQM40.145R11	SQM40.145R11	●		5 Nm / 15 s	4				3		5		●	●		●	
BPZ:SQM40.155R11	SQM40.155R11	●		5 Nm / 15 s	5				4		5		●	●		●	
BPZ:SQM40.155R13	SQM40.155R13	●		5 Nm / 15 s	5				4		5		●	●			●
BPZ:SQM40.161A20	SQM40.161A20	●		5 Nm / 15 s		6	●		6		1	●			●		
BPZ:SQM40.165A20	SQM40.165A20	●		5 Nm / 15 s		6	●		6		5	●			●		
BPZ:SQM40.165A21	SQM40.165A21	●		5 Nm / 15 s		6	●		6		5	●			●	●	
BPZ:SQM40.165R11	SQM40.165R11	●		5 Nm / 15 s		6	●		6		5		●	●		●	
BPZ:SQM40.171A20	SQM40.171A20	●		5 Nm / 15 s		7		●	5	1	1	●			●		
BPZ:SQM40.175A21	SQM40.175A21	●		5 Nm / 15 s		7		●	5	1	5	●			●	●	

Type summary (other types on request) (cont'd)

Article no.	Type	Direction of rotation		Torque ¹⁾ / running time ¹⁾ for 90°	PCB						Shaft no.	Regional version		Operating voltage		Potentiometer	
		Counter-clockwise	Clockwise		Electronic version Diagram no.	Switch version Diagram no.	3-position	2-position	No. of switches	No. of relay		EU	US / Canada	AC120V	AC230V	Double 90°	Double 135°
BPZ:SQM40.185R11	SQM40.185R11	●		5 Nm / 15 s		8	●		6		5		●	●		●	
BPZ:SQM40.215R11	SQM40.215R11	●		10 Nm / 30 s	1				3		5		●	●		●	
BPZ:SQM40.215R13	SQM40.215R13	●		10 Nm / 30 s	1				3		5		●	●			●
BPZ:SQM40.235A20	SQM40.235A20	●		10 Nm / 30 s		3		●	4	3	5	●			●		
BPZ:SQM40.241A21	SQM40.241A21	●		10 Nm / 30 s	4				3		1	●			●	●	
BPZ:SQM40.241R11	SQM40.241R11	●		10 Nm / 30 s	4				3		1		●	●		●	
BPZ:SQM40.244A21	SQM40.244A21	●		10 Nm / 30 s	4				3		4	●			●	●	
BPZ:SQM40.244R11	SQM40.244R11	●		10 Nm / 30 s	4				3		4		●	●		●	
BPZ:SQM40.245A11	SQM40.245A11	●		10 Nm / 30 s	4				3		5	●		●		●	
BPZ:SQM40.245A21	SQM40.245A21	●		10 Nm / 30 s	4				3		5	●			●	●	
BPZ:SQM40.245R11	SQM40.245R11	●		10 Nm / 30 s	4				3		5		●	●		●	
BPZ:SQM40.247A21	SQM40.247A21	●		10 Nm / 30 s	4				3		7	●			●	●	
BPZ:SQM40.255A21	SQM40.255A21	●		10 Nm / 30 s	5				4		5	●			●	●	
BPZ:SQM40.255R11	SQM40.255R11	●		10 Nm / 30 s	5				4		5		●	●		●	
BPZ:SQM40.255R13	SQM40.255R13	●		10 Nm / 30 s	5				4		5		●	●			●
BPZ:SQM40.261A11	SQM40.261A11	●		10 Nm / 30 s		6	●		6		1	●		●		●	
BPZ:SQM40.261A20	SQM40.261A20	●		10 Nm / 30 s		6	●		6		1	●			●		
BPZ:SQM40.261A21	SQM40.261A21	●		10 Nm / 30 s		6	●		6		1	●			●	●	
BPZ:SQM40.261R11	SQM40.261R11	●		10 Nm / 30 s		6	●		6		1		●	●		●	

Type summary (other types on request) (cont'd)

Article no.	Type	Direction of rotation		Torque ¹⁾ / running time ¹⁾ for 90°	PCB						Shaft no.	Regional version		Operating voltage		Potentiometer	
		Counter-clockwise	Clockwise		Electronic version Diagram no.	Switch version Diagram no.	3-position	2-position	No. of switches	No. of relay		EU	US / Canada	AC120V	AC230V	Double 90°	Double 135°
BPZ:SQM40.265A11	SQM40.265A11	●		10 Nm / 30 s		6	●		6		5	●		●		●	
BPZ:SQM40.265A20	SQM40.265A20	●		10 Nm / 30 s		6	●		6		5	●			●		
BPZ:SQM40.265A21	SQM40.265A21	●		10 Nm / 30 s		6	●		6		5	●			●	●	
BPZ:SQM40.265R11	SQM40.265R11	●		10 Nm / 30 s		6	●		6		5		●	●		●	
BPZ:SQM40.267A20	SQM40.267A20	●		10 Nm / 30 s		6	●		6		7	●			●		
BPZ:SQM40.271A20	SQM40.271A20	●		10 Nm / 30 s		7		●	5	1	1	●			●		
BPZ:SQM40.274R10	SQM40.274R10	●		10 Nm / 30 s		7		●	5	1	4		●	●			
BPZ:SQM40.275A20	SQM40.275A20	●		10 Nm / 30 s		7		●	5	1	5	●			●		
BPZ:SQM40.275A21	SQM40.275A21	●		10 Nm / 30 s		7		●	5	1	5	●			●	●	
BPZ:SQM40.275R10	SQM40.275R10	●		10 Nm / 30 s		7		●	5	1	5		●	●			
BPZ:SQM40.281A20	SQM40.281A20	●		10 Nm / 30 s		8	●		6		1	●			●		
S55452-D305-A100	SQM40.285A20	●		10 Nm / 30 s		8	●		6		5	●			●		
BPZ:SQM40.285R11	SQM40.285R11	●		10 Nm / 30 s		8	●		6		5		●	●		●	
BPZ:SQM40.317A23	SQM40.317A23	●		18 Nm / 65 s	1				3		7	●			●		●
BPZ:SQM40.317R11	SQM40.317R11	●		18 Nm / 65 s	1				3		7		●	●		●	
BPZ:SQM40.317R13	SQM40.317R13	●		18 Nm / 65 s	1				3		7		●	●			●
BPZ:SQM40.357R11	SQM40.357R11	●		18 Nm / 65 s	5				4		7		●	●		●	
BPZ:SQM40.357R13	SQM40.357R13	●		18 Nm / 65 s	5				4		7		●	●		●	
S55452-D301-A100	SQM40.367A10	●		18 Nm / 65 s		6	●		6		7	●		●			
BPZ:SQM40.387A20	SQM40.387A20	●		18 Nm / 65 s		8	●		6		7	●			●		
BPZ:SQM40.387A23	SQM40.387A23	●		18 Nm / 65 s		8	●		6		7	●			●		●

Type summary (other types on request) (cont'd)

Article no.	Type	Direction of rotation		Torque ¹⁾ / running time ¹⁾ for 90°	PCB						Shaft no.	Regional version		Operating voltage		Potentiometer	
		Counter-clockwise	Clockwise		Electronic version Diagram no.	Switch version Diagram no.	3-position	2-position	No. of switches	No. of relay		EU	US / Canada	AC120V	AC230V	Double 90°	Double 135°
BPZ:SQM40.387R11	SQM40.387R11	●		18 Nm / 65 s		8	●		6		7		●	●		●	
BPZ:SQM41.141A21	SQM41.141A21		●	5 Nm / 15 s	4				3		1	●			●	●	
BPZ:SQM41.145A21	SQM41.145A21		●	5 Nm / 15 s	4				3		5	●			●	●	
BPZ:SQM41.161A20	SQM41.161A20		●	5 Nm / 15 s		6	●		6		1	●			●		
BPZ:SQM41.165R11	SQM41.165R11		●	5 Nm / 15 s		6	●		6		5		●	●		●	
S55452-D304-A100	SQM41.181A20		●	5 Nm / 15 s		8	●		6		1	●			●		
BPZ:SQM41.185R11	SQM41.185R11		●	5 Nm / 15 s		8	●		6		5		●	●		●	
BPZ:SQM41.241A11	SQM41.241A11		●	10 Nm / 30 s	4				3		1	●		●		●	
BPZ:SQM41.241A21	SQM41.241A21		●	10 Nm / 30 s	4				3		1	●			●	●	
BPZ:SQM41.241R11	SQM41.241R11		●	10 Nm / 30 s	4				3		1		●	●		●	
BPZ:SQM41.244A21	SQM41.244A21		●	10 Nm / 30 s	4				3		4	●			●	●	
BPZ:SQM41.244R11	SQM41.244R11		●	10 Nm / 30 s	4				3		4		●	●		●	
BPZ:SQM41.245A11	SQM41.245A11		●	10 Nm / 30 s	4				3		5	●		●		●	
BPZ:SQM41.245A21	SQM41.245A21		●	10 Nm / 30 s	4				3		5	●			●	●	
BPZ:SQM41.245R11	SQM41.245R11		●	10 Nm / 30 s	4				3		5		●	●		●	

Type summary (other types on request) (cont'd)

Article no.	Type	Direction of rotation		Torque ¹⁾ / running time ¹⁾ for 90°	PCB						Shaft no.	Regional version		Operating voltage		Potentiometer	
		Counter-clockwise	Clockwise		Electronic version Diagram no.	Switch version Diagram no.	3-position	2-position	No. of switches	No. of relay		EU	US / Canada	AC120V	AC230V	Double 90°	Double 135°
BPZ:SQM41.254R11	SQM41.254R11		●	10 Nm / 30 s	5				4		4		●	●		●	
S55452-D305-A100	SQM41.255R11		●	10 Nm / 30 s	5				4		5		●	●		●	
BPZ:SQM41.261A11	SQM41.261A11		●	10 Nm / 30 s		6	●		6		1	●		●		●	
BPZ:SQM41.261A21	SQM41.261A21		●	10 Nm / 30 s		6	●		6		1	●			●	●	
BPZ:SQM41.261R11	SQM41.261R11		●	10 Nm / 30 s		6	●		6		1		●	●		●	
BPZ:SQM41.264A21	SQM41.264A21		●	10 Nm / 30 s		6	●		6		4	●			●	●	
BPZ:SQM41.264R11	SQM41.264R11		●	10 Nm / 30 s		6	●		6		4		●	●		●	
BPZ:SQM41.265R11	SQM41.265R11		●	10 Nm / 30 s		6	●		6		5		●	●		●	
BPZ:SQM41.267A21	SQM41.267A21		●	10 Nm / 30 s		6	●		6		7	●			●	●	
BPZ:SQM41.271R10	SQM41.271R10		●	10 Nm / 30 s		7		●	5	1	1		●	●			
BPZ:SQM41.275A21	SQM41.275A21		●	10 Nm / 30 s		7		●	5	1	5	●			●	●	
BPZ:SQM41.275R10	SQM41.275R10		●	10 Nm / 30 s		7		●	5	1	5		●	●			
BPZ:SQM41.285R11	SQM41.285R11		●	10 Nm / 30 s		8	●		6		5		●	●		●	
BPZ:SQM41.357A23	SQM41.357A23		●	18 Nm / 65 s	5				4		7	●			●		●
BPZ:SQM41.357R11	SQM41.357R11		●	18 Nm / 65 s	5				4		7		●	●		●	
BPZ:SQM41.367A21	SQM41.367A21		●	18 Nm / 65 s		6	●		6		7	●			●	●	
BPZ:SQM41.387R11	SQM41.387R11		●	18 Nm / 65 s		8	●		6		7		●	●		●	

1) Specifications apply to ambient temperatures of 23 °C and a mains voltage of AC 120 V or AC 230 V and a mains frequency of 50 Hz.

With a mains frequency of 60 Hz, the running times and torques are approx. 17% less.

Type summary (cont'd) (other types on request) (cont'd)



Note

Not all types of actuators are available ex stock. Additional versions are available on request.

Drive shafts:

Type of drive shaft	Torque	Shaft no.
Ø 10 mm, woodruff key as per DIN 6888	Max. 10 Nm	1
□ 9.5 mm, square shaft	Max. 15 Nm	4
Ø 10 mm D type shaft, compatible with SQM45...	Max. 10 Nm	5
Ø 14 mm with parallel key as per DIN 6885, compatible with SQM48...	Max. 20 Nm	7

Accessories

Accessories must be ordered as separate items:



Proportional controlling element with mounting plate

VKP...

Proportional controlling element for mounting between threaded flanges in gas trains. Refer to data sheet N7632.

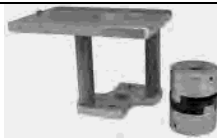


Mounting plate

ASK33.1

Article no.: BPZ:ASK33.1

For mounting the SQM40... / SQM41... onto the VKP... proportional controlling element
See Mounting Instruction 74 319 0843 0 (M7646)



Mounting kit

ASK33.4

Article no.: BPZ:ASK33.4

For fitting SQM40... / SQM41... to the butterfly valve VKF41.xxC
See Mounting Instruction 74 319 0916 0 (M7813 / 7814)



Front cover (on request)

For making the connections for the power supply lines

- For 1/2" NPT protective sleeve

AGA45.1

Article no.: BPZ:AGA45.111

- For metric cable gland

AGA45.12

Article no.: BPZ:AGA45.12



Note!

Front covers AGA45.11 and AGA45.12 are only to be used as replacements.

The corresponding AGA45... version is factory-prefitted onto the SQM40... / SQM41...



Connector sets (on request)

With screw terminals for replacement:

- For SQM4x.x1xxxx

AGA45.1

Article no.: BPZ:AGA45.1

- For SQM4x.x4xxxx

AGA45.4

Article no.: BPZ:AGA45.4

- For SQM4x.x2xxxx, SQM4x.x5xxxx

AGA45.5

Article no.: BPZ:AGA45.5

- For SQM4x.x3xxxx, SQM4x.x6xxxx, SQM4x.x7xxxx, SQM4x.x8xxxx

AGA45.6

Article no.: BPZ:AGA45.6



Potentiometers (on request)

For retrofitting

- For SQM40... / SQM41...: Double potentiometer 2*1000 Ω , 90°

ASZ22.32

Article no.: S55852-Z301-A100

- For SQM40...: Double potentiometer 2*1000 Ω , 135°

ASZ22.35

Article no.: S55852-Z303-A100

- For SQM41...: Double potentiometer 2*1000 Ω , 135°

ASZ22.34

Article no.: S55852-Z302-A100

Refer to Data Sheet N7921.



Note!


ASZ22... potentiometers are only intended for the retrofitting onto SQM40... / SQM41... types with the end number 0 (SQM4x.xxxx0). For all SQM40... / SQM41... types with the end number 1 (SQM4x.xxxx1) or 3 (SQM4x.xxxx3), the potentiometers are factory installed.

Technical Data

General unit data	Operating voltage	
	- SQM4x.xxxA1...	AC 120 V -15%/+10%
	- SQM4x.xxxA2...	AC 230 V -15%/+10%
	- SQM4x.xxxR1...	AC 120 V -15%/+10%
	Operating frequency	50...60 Hz \pm 6%
	Drive motor	Synchronous motor
	Power consumption	10 VA
	Operating angle	Between 0° and max. 90° or between 0° and max. 135°, depending on the type
	Mounting position	Optional
	Degree of protection	IP66
	Safety class	I
	External overload fuse	Max. 6.3 AT (slow) to DIN EN 60127-2/5
	Internal overload fuse	2 AT (slow), depending on the type, non-exchangeable
	Cable entry	2 x M16 without thread or 2 x 1/2" NPT thread, depending on the type
	Wire cross-sectional area of the connecting wires, including earth terminal (PE)	0.5...2.5 mm ²
	Direction of rotation	Facing the shaft end (mounting surface):
	• SQM40...	Counterclockwise (CCW)
	• SQM41...	Clockwise (CW)
	Torque	2.5 Nm / 5 Nm / 10 Nm / 18 Nm, depending on type ¹⁾
	Torque tolerance	-25%
	Holding torque	Each valid at the tolerance limits of temperature and operating voltage 50% Of the torque for types with 5 Nm, 10 Nm, and 18 Nm torque 36% Of the torque for types with 2.5 Nm torque
	Running time	5 s, 15 s, 30 s and 65 s, depending on type ¹⁾
	Running time tolerance	+10%
	Pause time at change in direction of rotation, zero-current state	>100 ms
	End and auxiliary switches	
	• Type	To DIN 41636
	• Switching voltage	AC 24...250 V
• Switching capacity	See specifications in chapter <i>Connection diagrams</i>	
Number of end switches	2	
Number of auxiliary switches	Max. 4, depending on type	
Drive shaft	Supplied as standard, non-exchangeable	
Weight	Approx. 2 kg	
Temperature of the mounting surface	Max. 60 °C	
Rated surge voltage	Overvoltage category III in accordance with DIN EN 60730-1 chapter 20	
Backlash between the actuator motor and actuator shaft		
• ex works	<1°	
• after 250,000 cycles	<1.2°	

- 1) Specifications apply to ambient temperatures of 23 °C and a mains voltage of AC 120 V or AC 230 V and a mains frequency of 50 Hz. With a mains frequency of 60 Hz, the running times and torques are approx. 17% less.

Technical Data (cont'd)

	Lifetime	250,000 start cycles (close ⇒ open ⇒ close) under load with the rated torque in the entire rotation angle range. 2,000,000 control cycles under load with 75% of rated torque in rotation angle range of 10°
Analog inputs	General	
	Linearity	<5% of the control range
	Control range	0...90° or 0...135°, depending on type
	Voltage setpoint	
	X1-1 (U-IN), X1-2 (GND)	DC 2...10 V
	- Umin	DC 2 V
	- Umax	DC 10 V
	Input impedance	≥5 kΩ
	Current setpoint	
	X1-3 (I-IN), X1-2 (GND)	DC 4...20 mA
	- Imin	DC 4 mA
	- Imax	DC 20 mA
	Input impedance	≤500 Ω
Impedance setpoint		
X1-4, X1-5, X1-6 (GND)	0...135 Ω	
- RNominal	135 Ω ±5%	
For use in North America	Cross-sectional area of the power supply lines	
	SQM4x.x1xxxx / SQM4x.x4xxxx / SQM4x.x5xxxx, (X2), (PE)	Class 1, min. AWG 16 Suited for 105 °C
	SQM4x.x6xxxx / SQM4x.x7xxxx / SQM4x.x8xxxx, (X1)/(X2)/(X3), (PE)	Max. 2.5 mm ² or AWG 14
	SQM4x.x1xxxx / SQM4x.x2xxxx / SQM4x.x4xxxx / SQM4x.x5xxxx (X1)	Class 2, min. AWG 22 Suited for 105 °C
		Max. 1 mm ² or AWG 18
	NEMA classification	NEMA4 (in progress)
	Outdoor use	
		
		Attention! Waterproof cable conduits and cable glands are required (e.g. type DWTT/7 or QCRV2/8)
	Environmental conditions	Storage
Storage		DIN EN 60721-3-1
Climatic conditions		Class 1K3
Mechanical conditions		Class 1M2
Temperature range		-20...60 °C
Humidity		<95% r.h.
Transport		
Transport		DIN EN 60721-3-2
Climatic conditions		Class 2K3
Mechanical conditions		Class 2M2
Temperature range		-20...60 °C
Humidity		<95% r.h.
Operation		
Operation		DIN EN 60721-3-3
Climatic conditions		Class 3K5
Mechanical conditions		Class 3M4
Temperature range		-20...60 °C -15...+60 °C for 18 Nm design
Humidity	<95% r.h.	
Installation altitude	Max. 2,000 m above sea level	



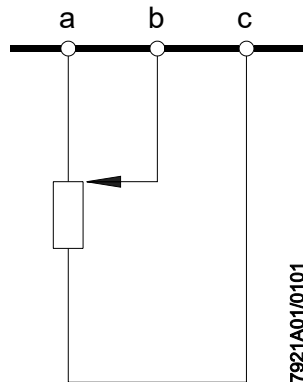
Notice!

Condensation, formation of ice, and ingress of water are not permitted. If this is not observed, there is a risk of loss of safety functions and a risk of electric shock.

Technical Data (cont'd)

Conductive plastic potentiometer	Resistance	2*1000 Ω double potentiometer with separated resistance tracks
	Operating voltage	DC 10 V
	Permissible hysteresis	0.3% of 90° or of 135°, depending on type
	Total resistance tolerance	±20%
	Effective angular rotation	90° or 135°, depending on type
	Terminal strip	Triple-pole
	For cross-sectional areas of	0.5...1 mm ²
	Wiper current rating	Max. 100 μA
	Transfer resistance of wiper contact	Max. R _ü ≤ 100 Ω
	Linearity (referred to R _{ges} = 1000 Ω)	±1%
	Smoothness (alpha = 10°) / microlinearity	<0.5%
	Life cycle	Approx. 2 million positioning cycles
	Temperature coefficient	0.4 Ω/K

Conductive plastic potentiometer connection diagram



Potentiometer drawn in start position (as supplied).

Terminal markings:
a = high end of potentiometer
b = potentiometer wiper
c = low end of potentiometer

Apply operating voltage only on terminals «a» and «c». Conductive plastic potentiometers can be destroyed if operating voltage is applied incorrectly between «a → b» or «b → c».

The polarity of the potentiometer end pickups «a → c» must be observed in order to achieve the correct signal direction to the potentiometer wiper «b».

If the ASZ22.32 potentiometer specified for 90° is operated outside of the effective range of angular rotation of 90°, no valid signal will be present at the wiper contact (interrupted circuit). This can happen if the switch position of the switching cam I for high-fire is configured for over 90°.

The 90° version ASZ22.32 can be used for both directions of rotation, SQM40... (counterclockwise) and SQM41... (clockwise).

The 135° versions ASZ22.34 and ASZ22.35 are each intended for a particular direction of rotation.

The direction of rotation of the potentiometer must correspond with the direction of rotation of the actuator as follows:

- ASZ22.34 can only be used with SQM41... (clockwise)
- ASZ22.35 can only be used with SQM40... (counterclockwise)

Connection diagrams and connection terminals

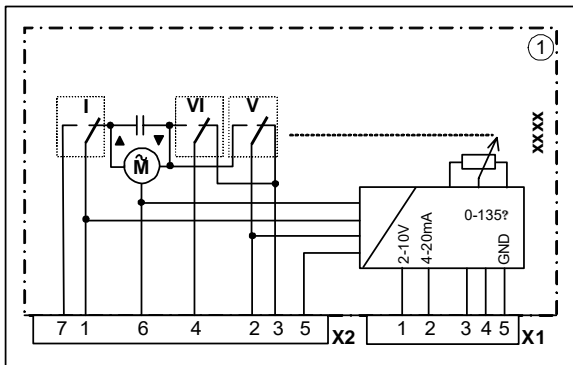
SQM4x.x1xxxx

Electronic version with independent high-fire and low-fire feedback



Note!

For the sake of clarity, the plug-in contacts do not appear in sequential order in the circuit diagram. Consecutive numbers are printed on the unit, however, e.g. 1...7.



Mains voltage terminals			Dimensioning
X1-1	2...10 V	Input	max. DC 10 V to X1-5
X1-2	4...20 mA	Input	max. 20 mA to X1-5
X1-3	0...135 Ω 1	Input	
X1-4	0...135 Ω 2	Input	
X1-5	0...135 Ω 3 (GND)	Input	

Mains voltage terminals			Dimensioning
X2-1	Open (I)	Input	AC 120 V / AC 230 V max. 1 A, $\cos\varphi > 0.9$ *
X2-2	Move to low-fire (V)	Input	AC 120 V / AC 230 V max. 1 A, $\cos\varphi > 0.9$ *
X2-3	Low-fire position reached (V)	Output	AC 120 V / AC 230 V max. 10 mA, $\cos\varphi > 0.9$
X2-4	Close / ignition (VI)	Input	AC 120 V / AC 230 V max. 1 A, $\cos\varphi > 0.9$
X2-5	Controller release	Input	AC 120 V / AC 230 V max. 60 mA / 30 mA
X2-6	Neutral	Input	AC 120 V / AC 230 V max. 60 mA / 30 mA
X2-7	Open position reached (I)	Output	AC 120 V / AC 230 V max. 10 mA, $\cos\varphi > 0.9$

* Only the control lines to the burner controls or to the control unit may be connected at the marked terminals.

It is not permitted to connect additional external loads, such as signal lamps.

Range adjustment

See SQM4x.x4xxxx in this chapter.

Connection diagrams and connection terminals (cont'd)

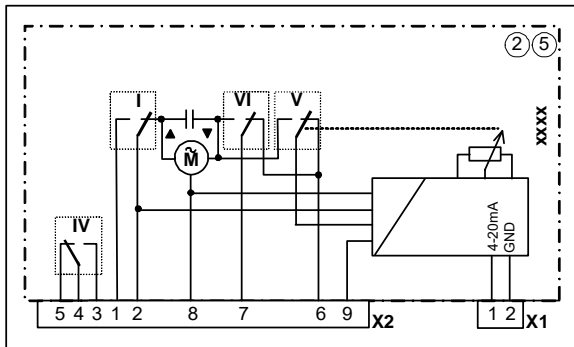
SQM4x.x2xxxx

Electronic version, only for types with 5 seconds running time



Note!

For the sake of clarity, the plug-in contacts do not appear in sequential order in the circuit diagram. Consecutive numbers are printed on the unit, however, e.g. 1...7.



Low-voltage terminals			Dimensioning
X1-1	4...20 mA	Input	max. 20 mA to X1-2
X1-2	GND	Input	---
Mains voltage terminals			Dimensioning
X2-1	Open position reached (I)	Output	AC 120 V / AC 230 V max. 10 mA, $\cos\varphi > 0.9$
X2-2	Open, high-fire (I)	Input	AC 120 V / AC 230 V max. 1 A, $\cos\varphi > 0.9$ *
X2-3	Auxiliary switch AUX (IV) NO contact	Output	AC 120 V / AC 230 V max. 1 A, $\cos\varphi > 0.9$
X2-4	Auxiliary switch AUX (IV)	Input	AC 120 V / AC 230 V max. 1 A, $\cos\varphi > 0.9$
X2-5	Auxiliary switch AUX (IV) NC opener	Output	AC 120 V / AC 230 V max. 1 A, $\cos\varphi > 0.9$
X2-6	Low-fire position / ignition load position reached (V / VI)	Output	AC 120 V / AC 230 V max. 10 mA, $\cos\varphi > 0.9$
X2-7	Close / ignition (VI)	Input	AC 120 V / AC 230 V max. 1 A, $\cos\varphi > 0.9$ *
X2-8	Neutral	Input	AC 120 V / AC 230 V max. 60 mA / 30 mA
X2-9	Controller release	Input	AC 120 V / AC 230 V max. 60 mA / 30 mA

* Only the control lines to the burner controls or to the control unit may be connected at the marked terminals.

It is not permitted to connect additional external loads, such as signal lamps.

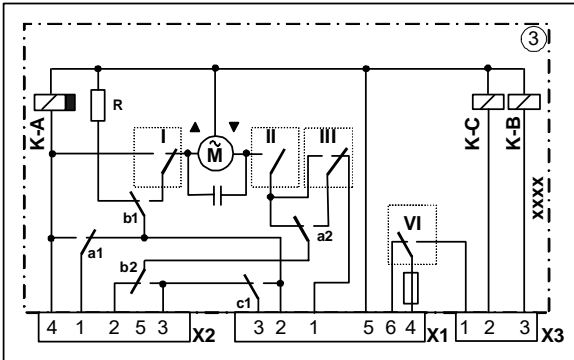
Range adjustment

See SQM4x.x4xxxx in this chapter.

Note!



For the sake of clarity, the plug-in contacts do not appear in sequential order in the circuit diagram. Consecutive numbers are printed on the unit, however, e.g. 1...7.



Mains voltage terminals			Dimensioning
X1-1	Free	---	---
X1-2	Controller, open	Input	AC 120 V / AC 230 V max. 1 A, $\cos\phi > 0.9$
X1-3	Controller release	Input	AC 120 V / AC 230 V max. 1 A, $\cos\phi > 0.9$
X1-4	Auxiliary switch AUX (VI)	Input	AC 120 V / AC 230 V max. 1 A, $\cos\phi > 0.9$ **
X1-5	Neutral	Input	AC 120 V / AC 230 V max. 1 A, $\cos\phi > 0.9$
X1-6	Auxiliary switch AUX (VI) NC opener	Output	AC 120 V / AC 230 V max. 1 A, $\cos\phi > 0.9$ **
X2-1	Fan supply voltage	Input	AC 120 V / AC 230 V max. 1 A, $\cos\phi > 0.9$
X2-2	Mains voltage, close	Input	AC 120 V / AC 230 V max. 1 A, $\cos\phi > 0.9$
X2-3	Low-fire controller	Input	AC 120 V / AC 230 V max. 1 A, $\cos\phi > 0.9$
X2-4	Fan motor	Output	AC 120 V / AC 230 V max. 1 A, $\cos\phi > 0.9$
X2-5	Free	---	---
X3-1	Auxiliary switch AUX (VI) NO contact	Output	AC 120 V / AC 230 V max. 1 A, $\cos\phi > 0.9$ **
X3-2	Open (I) / close (II), changeover relay K-C	Input	AC 120 V / AC 230 V max. 1 A, $\cos\phi > 0.9$
X3-3	Operation, changeover relay K-B	Input	AC 120 V / AC 230 V max. 1 A, $\cos\phi > 0.9$



Notice!

** When connecting a fuel valve:
Max. 0.3 A, $\cos\phi > 0.8$ inductive.

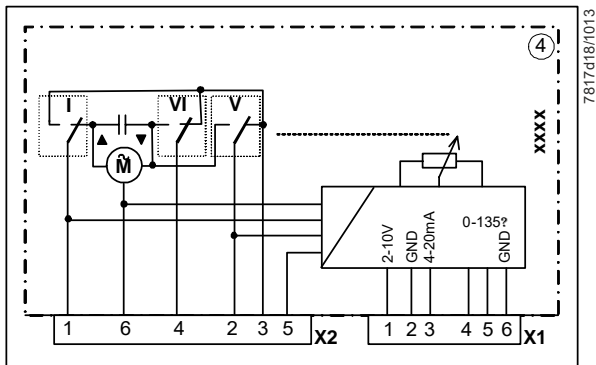
Range adjustment

See SQM4x.x4xxxx in this chapter.



Note!

For the sake of clarity, the plug-in contacts do not appear in sequential order in the circuit diagram. Consecutive numbers are printed on the unit, however, e.g. 1...7.



Low-voltage terminals			Dimensioning
X1-1	2...10 V	Input	max. DC 10 V to X1-2
X1-2	GND	Input	
X1-3	4...20 mA	Input	Max. 20 mA to X1-2
X1-4	0...135 Ω 1	Input	
X1-5	0...135 Ω 2	Input	
X1-6	0...135 Ω 3 (GND)	Input	

Mains voltage terminals			Dimensioning
X2-1	Opening (I)	Input	AC 120 V / AC 230 V max. 1 A, cosφ >0.9 *
X2-2	Move to low-fire (V)	Input	AC 120 V / AC 230 V max. 1 A, cosφ >0.9 *
X2-3	Position reached	Output	AC 120 V / AC 230 V max. 10 mA, cosφ >0.9
X2-4	Closing/ignition (VI)	Input	AC 120 V / AC 230 V max. 1 A, cosφ >0.9
X2-5	Controller release	Input	AC 120 V / AC 230 V max. 60 mA / 30 mA
X2-6	Neutral	Input	AC 120 V / AC 230 V max. 60 mA / 30 mA

* Only the control lines to the burner controls or to the control unit may be connected at the marked terminals.

It is not permitted to connect additional external loads, such as signal lamps.

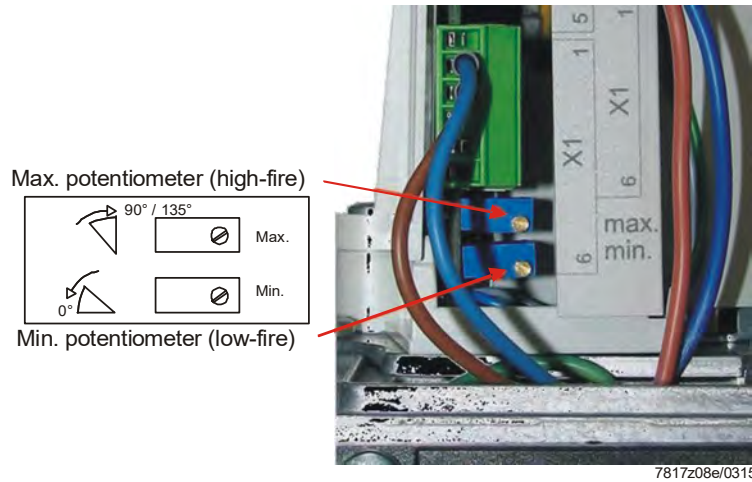
Range adjustment

Adjust the range of the analog signal to match the switch positions (min. and max. position):

1. Set cam I to the required high-fire position (e.g. 85°; position is indicated on the scale next to the cam).
2. Set cam V to the required low-fire position (e.g. 20°).
3. Preset the signal at the analog input according to the required high-fire position (e.g. 20 mA).
4. Turn the potentiometer for maximum angular rotation
 - a) clockwise, if the actuator has not yet reached its maximum angular rotation, or
 - b) counterclockwise until the actuator starts
5. Preset the signal at the analog input according to the low-fire position (e.g. 4 mA).
6. Turn the potentiometer for minimum angular rotation
 - a) counterclockwise, if the actuator has not yet reached its minimum angular rotation, or
 - b) clockwise until the actuator starts

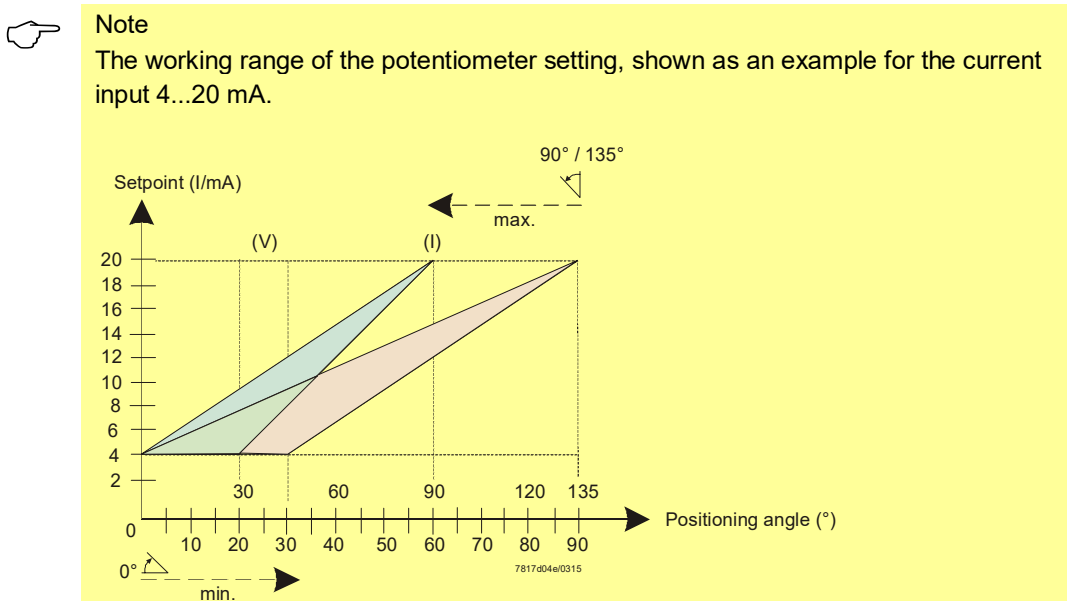
Modulation always takes place between high- and low-fire.

Also, it is possible to define a closed position or a separate ignition position by setting cam VI (independent of cam V, e.g. for defining a position higher than the low-fire position).



Note!
 When starting up, the direction of rotation of the potentiometer setting must be observed:

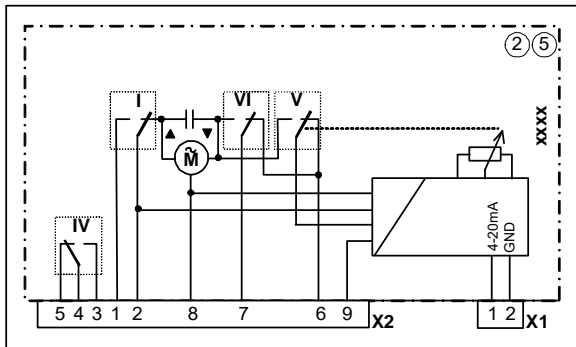
7817z10/0713





Note!

For the sake of clarity, the plug-in contacts do not appear in sequential order in the circuit diagram. Consecutive numbers are printed on the unit, however, e.g. 1...7.



Low-voltage terminals			Dimensioning
X1-1	4...20 mA	Input	max. 20 mA to X1-2
X1-2	GND	Input	---
Mains voltage terminals			Dimensioning
X2-1	Open position reached (I)	Output	AC 120 V / AC 230 V max. 10 mA, $\cos\varphi >0.9$
X2-2	Open / high-fire (I)	Input	AC 120 V / AC 230 V max. 1 A, $\cos\varphi >0.9$ *
X2-3	Auxiliary switch AUX (IV) NO contact	Output	AC 120 V / AC 230 V max. 1 A, $\cos\varphi >0.9$
X2-4	Auxiliary switch AUX (IV)	Input	AC 120 V / AC 230 V max. 1 A, $\cos\varphi >0.9$
X2-5	Auxiliary switch AUX (IV) / NC opener	Output	AC 120 V / AC 230 V max. 1 A, $\cos\varphi >0.9$
X2-6	Low-fire position / ignition load position reached (V, VI)	Output	AC 120 V / AC 230 V max. 10 mA, $\cos\varphi >0.9$
X2-7	Close / ignition (VI)	Input	AC 120 V / AC 230 V max. 1 A, $\cos\varphi >0.9$ *
X2-8	Neutral	Input	AC 120 V / AC 230 V max. 60 mA / 30 mA
X2-9	Controller release	Input	AC 120 V / AC 230 V max. 60 mA / 30 mA

* Only the control lines to the burner controls or to the control unit may be connected at the marked terminals.

It is not permitted to connect additional external loads, such as signal lamps.

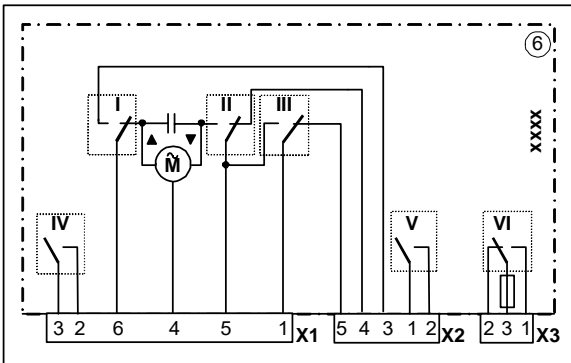
Range adjustment

See SQM4x.x4xxxx in this chapter.



Note!

For the sake of clarity, the plug-in contacts do not appear in sequential order in the circuit diagram. Consecutive numbers are printed on the unit, however, e.g. 1...7.



Mains voltage terminals			Dimensioning
X1-1	Move to ignition position (III)	Input	AC 120 V / AC 230 V max. 1 A, cosφ >0.9
X1-2	Auxiliary switch AUX (IV) NO contact	Output	AC 120 V / AC 230 V max. 1 A, cosφ >0.9
X1-3	Auxiliary switch AUX (IV)	Input	AC 120 V / AC 230 V max. 1 A, cosφ >0.9
X1-4	Neutral		AC 120 V / AC 230 V max. 1 A, cosφ >0.9
X1-5	Closing (II)	Input	AC 120 V / AC 230 V max. 1 A, cosφ >0.9
X1-6	Opening (I)	Input	AC 120 V / AC 230 V max. 1 A, cosφ >0.9
X2-1	Auxiliary switch AUX (V)	Input	AC 120 V / AC 230 V max. 1 A, cosφ >0.9
X2-2	Auxiliary switch AUX (V) NO contact	Output	AC 120 V / AC 230 V max. 1 A, cosφ >0.9
X2-3	Open position reached (I)	Output	AC 120 V / AC 230 V max. 0.3 A, cosφ >0.8
X2-4	Close position reached (II)	Output	AC 120 V / AC 230 V max. 0.3 A, cosφ >0.8
X2-5	Ignition position reached (III)	Output	AC 120 V / AC 230 V max. 0.3 A, cosφ >0.8
X3-1	Auxiliary switch AUX (VI) NO contact	Output	AC 120 V / AC 230 V max. 1 A, cosφ >0.9 **
X3-2	Auxiliary switch AUX (VI) NC opener	Output	AC 120 V / AC 230 V max. 1 A, cosφ >0.9 **
X3-3	Auxiliary switch AUX (VI)	Input	AC 120 V / AC 230 V max. 1 A, cosφ >0.9 **



Notice!

**** When connecting a fuel valve: Max. 0.3 A, cosφ >0.8 inductive.**

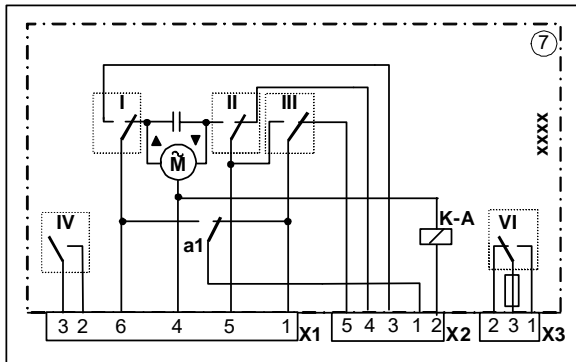
Range adjustment

See SQM4x.x4xxxx in this chapter.



Note!

For the sake of clarity, the plug-in contacts do not appear in sequential order in the circuit diagram. Consecutive numbers are printed on the unit, however, e.g. 1...7.



Mains voltage terminals			Dimensioning
X1-1	Move to ignition position (III)	Input	AC 120 V / AC 230 V max. 1 A, $\cos\phi > 0.9$
X1-2	Auxiliary switch AUX (IV) NO contact	Output	AC 120 V / AC 230 V max. 1 A, $\cos\phi > 0.9$
X1-3	Auxiliary switch AUX (IV)	Input	AC 120 V / AC 230 V max. 1 A, $\cos\phi > 0.9$
X1-4	Neutral		AC 120 V / AC 230 V max. 1 A, $\cos\phi > 0.9$
X1-5	Closing (II)	Input	AC 120 V / AC 230 V max. 1 A, $\cos\phi > 0.9$
X1-6	Opening (I)	Input	AC 120 V / AC 230 V max. 1 A, $\cos\phi > 0.9$
X2-1	Mains voltage	Input	AC 120 V / AC 230 V max. 1 A, $\cos\phi > 0.9$
X2-2	Open / close relay	Input	AC 120 V / AC 230 V max. 1 A, $\cos\phi > 0.9$
X2-3	Open position reached (I)	Output	AC 120 V / AC 230 V max. 0.3 A, $\cos\phi > 0.8$
X2-4	Close position reached (II)	Output	AC 120 V / AC 230 V max. 0.3 A, $\cos\phi > 0.8$
X2-5	Ignition position reached (III)	Output	AC 120 V / AC 230 V max. 0.3 A, $\cos\phi > 0.8$
X3-1	Auxiliary switch AUX (VI) NO contact	Output	AC 120 V / AC 230 V max. 1 A, $\cos\phi > 0.9$ **
X3-2	Auxiliary switch AUX (VI) NC opener	Output	AC 120 V / AC 230 V max. 1 A, $\cos\phi > 0.9$ **
X3-3	Auxiliary switch AUX (VI)	Input	AC 120 V / AC 230 V max. 1 A, $\cos\phi > 0.9$ **



Notice!

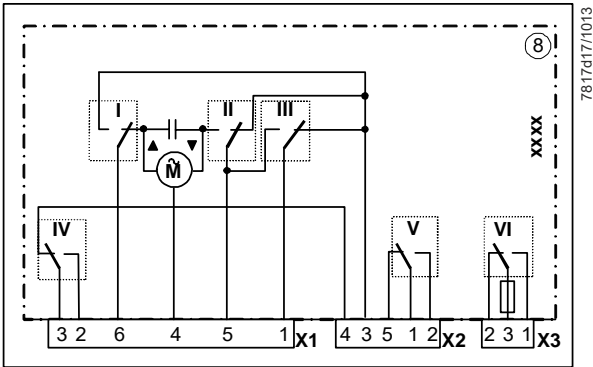
** When connecting a fuel valve:
Max. 0.3 A, $\cos\phi > 0.8$ inductive.

Range adjustment

See SQM4x.x4xxxx in this chapter.

Note!

For the sake of clarity, the plug-in contacts do not appear in sequential order in the circuit diagram. Consecutive numbers are printed on the unit, however, e.g. 1...7.



Mains voltage terminals			Dimensioning
X1-1	Move to position (III)	Input	AC 120 V / AC 230 V max. 1 A, cosφ >0.9
X1-2	Auxiliary switch AUX (IV) NO contact	Output	AC 120 V / AC 230 V max. 1 A, cosφ >0.9
X1-3	Auxiliary switch AUX (IV)	Input	AC 120 V / AC 230 V max. 1 A, cosφ >0.9
X1-4	Neutral	Input	AC 120 V / AC 230 V max. 1 A, cosφ >0.9 inductive
X1-5	Closing (II)	Input	AC 120 V / AC 230 V max. 1 A, cosφ >0.9
X1-6	Opening (I)	Input	AC 120 V / AC 230 V max. 1 A, cosφ >0.9
X2-1	Auxiliary switch AUX (V)	Input	AC 120 V / AC 230 V max. 1 A, cosφ >0.9
X2-2	Auxiliary switch AUX (V) NO contact	Input	AC 120 V / AC 230 V max. 1 A, cosφ >0.9
X2-3	Position reached (I / II / III)	Output	AC 120 V / AC 230 V max. 0.3 A, cosφ >0.8
X2-4	Auxiliary switch AUX (IV) NC opener	Output	AC 120 V / AC 230 V max. 1 A, cosφ >0.9
X2-5	Auxiliary switch AUX (V) NC opener	Output	AC 120 V / AC 230 V max. 1 A, cosφ >0.9
X3-1	Auxiliary switch AUX (VI) NO contact	Output	AC 120 V / AC 230 V max. 1 A, cosφ >0.9 **
X3-2	Auxiliary switch AUX (VI) NC opener	Output	AC 120 V / AC 230 V max. 1 A, cosφ >0.9 **
X3-3	Auxiliary switch AUX (VI)	Input	AC 120 V / AC 230 V max. 1 A, cosφ >0.9 **



Notice!

** When connecting a fuel valve:
Max. 0.3 A, cosφ >0.8 inductive.

Range adjustment

See SQM4x.x4xxxx in this chapter.

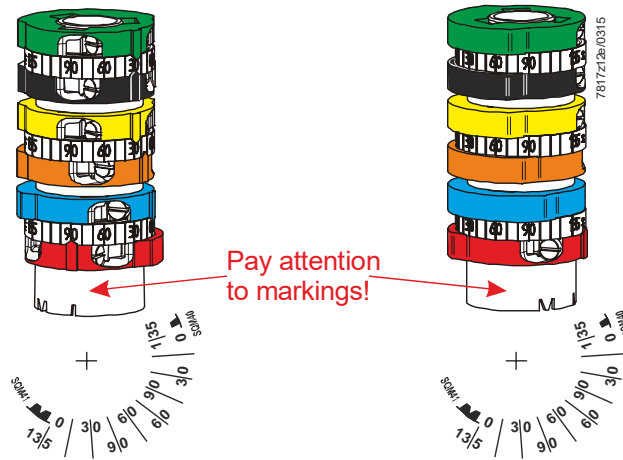
Position indication, preadjustment and coloring of the cams

Position indication SQM40...

External angle scale
Marking in slot shape

Position indication SQM41...

Internal angle scale
Arrow marking



Note!

The setting of the switch positions must be checked before startup.

SQM4x.x1xxxx
SQM4x.x4xxxx

Electronic version

Cam	Color	Position	Preadjustment
Cam I	Red	High-fire	90°
Cam II	Blue	Not used	---
Cam III	Orange	Not used	---
Cam IV	Yellow	Not used	---
Cam V	Black	Low-fire	15°
Cam VI	Green	OFF / ignition	0°

SQM4x.x3xxxx

2 position version

Cam	Color	Position	Preadjustment
Cam I	Red	High-fire	90°
Cam II	Blue	OFF / low-fire	0°
Cam III	Orange	Ignition position	15°
Cam IV	Yellow	Not used	---
Cam V	Black	Not used	---
Cam VI	Green	Auxiliary switch	30°

SQM4x.x2xxxx
SQM4x.x5xxxx

Electronic version

Cam	Color	Position	Preadjustment
Cam I	Red	High-fire	90°
Cam II	Blue	Not used	---
Cam III	Orange	Not used	---
Cam IV	Yellow	Auxiliary switch	30°
Cam V	Black	Low-fire	30°
Cam VI	Green	OFF / ignition	0°

Position indication, preadjustment and coloring of the cams (cont'd)

SQM4x.x6xxxx
SQM4x.x8xxxx

3 position version			
Cam	Color	Position	Preadjustment
Cam I	Red	High-fire	90°
Cam II	Blue	OFF / low-fire	0°
Cam III	Orange	Ignition position	15°
Cam IV	Yellow	Auxiliary switch	30°
Cam V	Black	Auxiliary switch	30°
Cam VI	Green	Auxiliary switch	30°

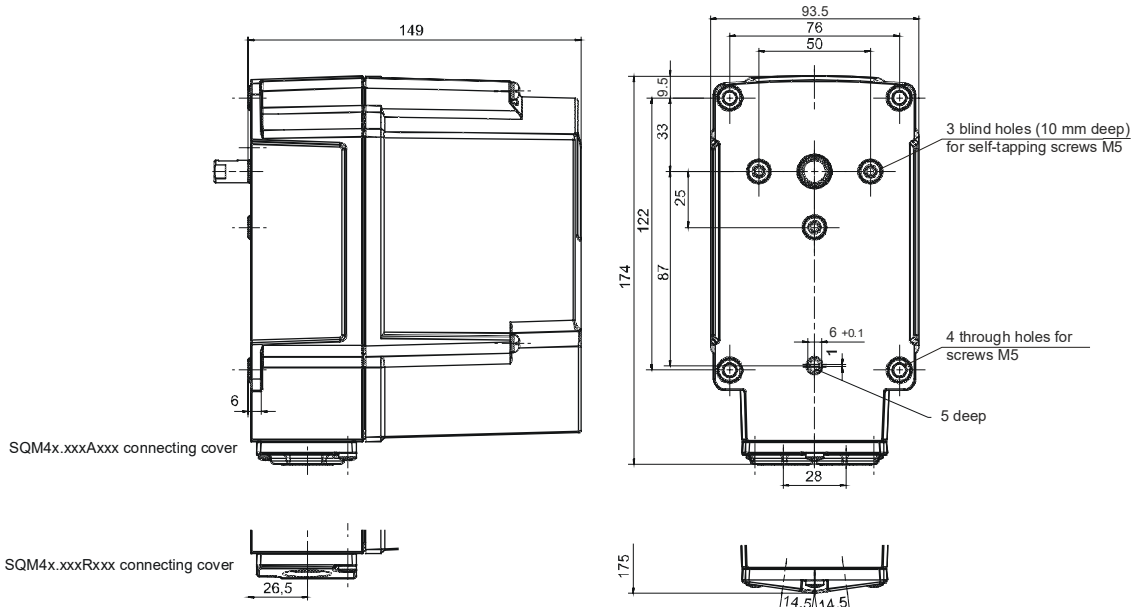
SQM4x.x7xxxx

3 position version			
Cam	Color	Position	Preadjustment
Cam I	Red	High-fire	90°
Cam II	Blue	OFF / low-fire	0°
Cam III	Orange	Ignition position	15°
Cam IV	Yellow	Auxiliary switch	30°
Cam V	Black	Not used	---
Cam VI	Green	Auxiliary switch	30°

Dimensions

Dimensions in mm

SQM40.../SQM41...

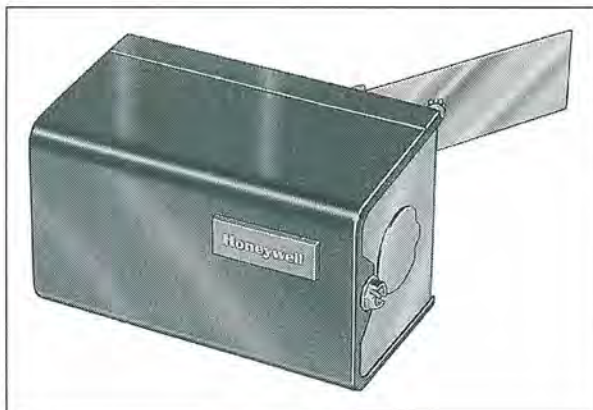


			Shaft no.
SQM4x.xx1xxx	Slot for woodruff key 3x3.7 series A Din6888		1
SQM4x.xx4xxx	Square		4
SQM4x.xx5xxx	D-shaft		5
SQM4x.xx7xxx	Slot for parallel key A5x3x28 DIN6885 T3		7

7817m01e/0216

S437A,B, S637A Sail Switches

PRODUCT DATA



APPLICATION

The S437 and S637 Sail Switches respond to the air velocity in heating or warm air ducts, such as used in farm crop dryers. The switch completes a 24 V or line voltage burner control circuit only when the blower or fan has produced a predetermined air velocity.

FEATURES

- Micro Switch snap switch is operated by metal sail inserted in an air stream. (S437 switch is spst, S637 switch is spdt.)
- S637 has a set of normally closed contacts which can be used to energize a signal or warming circuit when the velocity drops off.
- Sail can be trimmed to one-half the original size to double the velocity required to close the snap switch contacts.
- Switch differential can be manually adjusted by turning a knurled knob on the snap switch.
- A conduit knockout is located on each end of the case for wiring convenience.

SPECIFICATIONS

Mounting Position: Velocity characteristics listed apply when standard size sail is inserted in a horizontal air stream with the sail pivot in a vertical position. Vertical mounting with air movement upward is satisfactory; however, characteristics will change. Device cannot be vertically mounted with downward air movement.

Mounting Means: Case screw-mounts to duct wall with sail inserted through wall into air stream.

Mounting Dimensions: Refer to Fig 1.

Sail Size: Standard - 1 x 3 in. (25 x 76 mm).
Large - 1 1/2 x 4 in. (38 x 102 mm).

Contents

Application	1
Features	1
Specifications	1
Ordering Information	2
Installation	3
Wiring	3
Checkout	3



60-2186-2

MODEL NO.	INCLUDES CASE AND COVER	SWITCHING ACTION ON INCREASING VELOCITY	SWITCHING ACTION ON DECREASING VELOCITY	SWITCH DIFFERENTIAL
S437A	YES	Spst. Normally open contacts close at 1900-2250 fpm (9.7 - 11.4 m/s). Varies directly with differential setting.	Switch de-energizes at 1350 fpm (6.9 m/s). Not adjustable.	Adjustable, 550-900 fpm (2.8 - 4.6 m/s)
S437B	NO			
S637A	YES	Spst. One set of contacts opens, one set closes at 1900-2250 fpm (9.7 - 11.4 m/s). Varies directly with differential setting	One set of contacts opens to de-energize blower, one set closes to energize warming circuit at 1350 fpm (6.9 m/s). Not adjustable.	

Maximum Ambient Temperature: 150° F (66° C).

Insertion Length: Standard - 3 1/2 in. (89 mm).
Large - 4 1/2 in. (114 mm).

Switch Contact Rating (amperes):

	120 Vac	240 Vac
Full Load	8	5.1
Locked Rotor	48	30.6

2 A at 24 Vac.
15 A at 6 Vac.
7.5 A at 12 Vdc.

Cover Finish: Red enamel.

Underwriters Laboratories Inc. Listed:
S437A, S637A - File No. MP2169, Vol. 2 dated 5-11-59; Guide No. MFHX.
S437B - File No. MP2168, Vo. 2 dated 5-11-59; Guide No. MFHX2 (Component Recognized).

Canadian Standards Association Certification: Listed S, File No. LR95329, Class 481302.

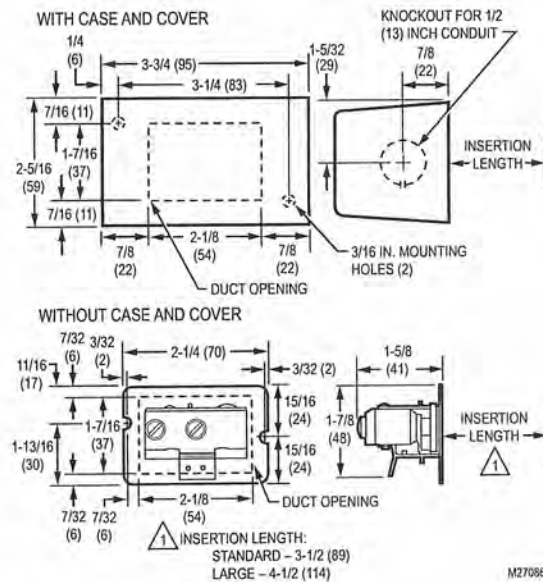


Fig. 1. S437 Dimensions in in. [mm in Brackets].

ORDERING INFORMATION

When purchasing replacement and modernization products from your TRADELINE® wholesaler or distributor, refer to the TRADELINE® Catalog or price sheets for complete ordering number.

If you have additional questions, need further information, or would like to comment on our products or services, please write or phone:

1. Your local Honeywell Automation and Control Products Sales Office (check white pages of your phone directory).
2. Honeywell Customer Care
1885 Douglas Drive North
Minneapolis, Minnesota 55422-4386

In Canada—Honeywell Limited/Honeywell Limitée, 35 Dynamic Drive, Toronto, Ontario M1V 4Z9.
International Sales and Service Offices in all principal cities of the world. Manufacturing in Australia, Canada, Finland, France, Germany, Japan, Mexico, Netherlands, Spain, Taiwan, United Kingdom, U.S.A.

INSTALLATION

When Installing this Product...

1. Read these instructions carefully. Failure to follow them could damage the product or cause a hazardous condition.
2. Check the ratings given in the instructions and on the product to make sure the product is suitable for your application.
3. Installer must be a trained, experienced service technician.
4. After installation is complete, check out product operation as provided in these instructions.



CAUTION

Disconnect power supply before connecting wiring to prevent electrical shock and equipment damage.

Mounting

Plan the location so that the sail will be in the direct path of an unrestricted air stream. A horizontal duct run is best because the sail will then move horizontally. In a vertical duct, the effect of gravity on the linkage changes the operating characteristics somewhat.

1. At the desired location, cut a rectangle hole 1-1/2 x 2 in. See dotted lines in dimension drawing.
2. Note direction of air stream and position chassis as a template to make the two mounting hole locations.
3. Center punch and drill mounting holes. Secure device with sheet metal screws.

WIRING

Disconnect power supply before making wiring connections to avoid possible electrical shock or equipment damage. All wiring must agree with local codes and ordinances.

Wire the sail switch in series with the load to act as an air velocity limit switch.

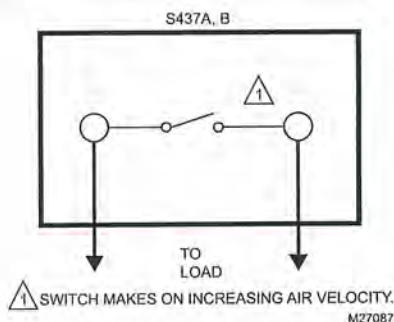


Fig. 2. S437 Schematic and Typical Connections

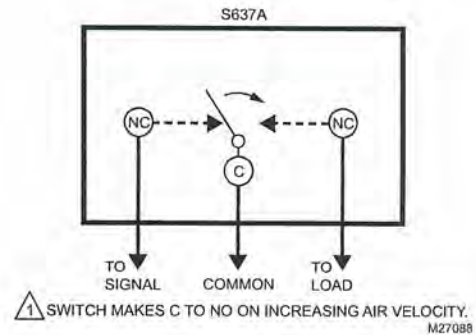


Fig. 3. S637 Schematic and Typical Connections.

Set Differential

The knurled wheel at the base of the switch is marked with the letters A, B, C, D to indicate relative differentials from minimum to maximum. Follow instructions of system manufacturer, if available, or adjust to suit actual operation.

A minimum differential setting (position A) of approximately 550 fpm (2.8 m/s) results in a make velocity of approximately 1900 fpm (9.7 m/s). The break velocity is 1350 fpm (6.9 m/s) for any setting of the differential.

Sail Size

All velocities given above are for a standard size sail. The large sail operates the switch at reduced velocities.

To control at higher velocities, the size of the sail must be reduced in inverse proportion.

Example: 2 x velocity = 1/2 sail size.

CHECKOUT

Operate the system through at least one complete cycle to make certain all equipment is controlled properly.

Automation and Control Solutions

Honeywell International Inc.
1985 Douglas Drive North
Golden Valley, MN 55422
customer.honeywell.com

Honeywell Limited-Honeywell Limitée
35 Dynamic Drive
Toronto, Ontario M1V 4Z9

® U.S. Registered Trademark
© 2007 Honeywell International Inc.
60-2186—2 J.I. Rev. 10-07



Printed in U.S.A. on recycled
paper containing at least 10%
post-consumer paper fibers.

Honeywell



OHIO GEAR

ELECTRIC MOTORS, GEARMOTORS AND DRIVES

Worm Gear Reducers Installation, Lubrication and Maintenance Instructions

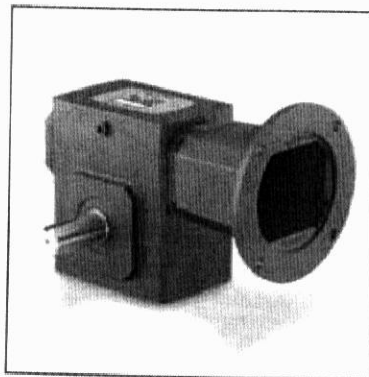
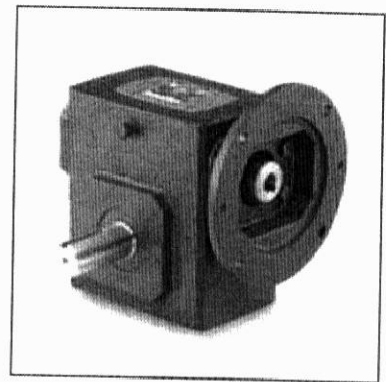
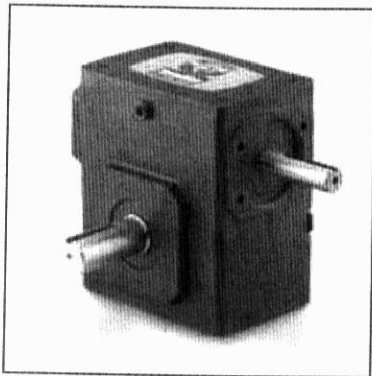


Table of Contents

WARNING/CAUTION INFORMATION2
General Operation3
Installation3
"C" Flange Adapter Kits7
Lubrication	
Standard Units3
Oil Capacities4
Mounting Positions5
Maintenance5-6
Parts List8-11



Instruction Manual



Selection Information

Read ALL instructions prior to operating reducer. Injury to personnel or reducer failure may be caused by improper installation, maintenance or operation.

Safety Alert

⚠ WARNING

- Written authorization from LEESON ELECTRIC is required to operate or use reducers in man lift or people moving devices.
- Check to make certain application does not exceed the allowable load capacities published in the current catalog.
- Buyer shall be solely responsible for determining the adequacy of the product for any and all uses to which Buyer shall apply the product. The application by Buyer shall not be subject to any implied warranty of fitness for a particular purpose.
- For safety, Buyer or User should provide protective guards over all shaft extensions and any moving apparatus mounted thereon. The User is responsible for checking all applicable safety codes in his area and providing suitable guards. Failure to do so may result in bodily injury and/or damage to equipment.
- Hot oil and reducers can cause severe burns. Use extreme care when removing lubrication plugs and vents.
- Make certain that the power supply is disconnected before attempting to service or remove any components. Lock out the power supply and tag it to prevent unexpected application of power.
- Reducers are not to be considered fail safe or self-locking devices. If these features are required, a properly sized, independent holding device should be utilized. Reducers should not be used as a brake.
- Any brakes that are used in conjunction with a reducer must be sized or positioned in such a way so as to not subject the reducer to loads beyond the catalog rating.
- Lifting supports including eyebolts are to be used for vertically lifting the gearbox only and no other associated attachments or motors.
- Use of an oil with an EP additive on units with backstops may prevent proper operation of the backstop. Injury to personnel, damage to the reducer or other equipment may result.
- Overhung loads subject shaft bearings and shafts to stress which may cause premature bearing failure and/or shaft breakage from bending fatigue, if not sized properly.

⚠ CAUTION

- Test run unit to verify operation. If the unit tested is a prototype, that unit must be of current production.
- If the speed reducer cannot be located in a clear and dry area with access to adequate cooling air supply, then precautions must be taken to avoid the ingestion of contaminants such as water and the reduction in cooling ability due to exterior contaminants.
- Mounting bolts should be routinely checked to ensure that the unit is firmly anchored for proper operation.

Important Information

In the event of the resale of any of the goods, in whatever form, Resellers/Buyers will include the following language in a conspicuous place and in a conspicuous manner in a written agreement covering such sale:

The manufacturer makes no warranties or representations, express or implied, by operation of law or otherwise, as to the merchantability or fitness for a particular purpose of the goods sold hereunder. Buyer acknowledges that it alone has determined that the goods purchased hereunder will suitably meet the requirements of their intended use. In no event will the manufacturer be liable for consequential, incidental or other damages. Even if the repair or replacement remedy shall be deemed to have failed of its essential purpose under Section 2-719 of the Uniform Commercial Code, the manufacturer shall have no liability to Buyer for consequential damages.

Resellers/Buyers agree to also include this entire document including the warnings above in a conspicuous place and in a conspicuous manner in writing to instruct users on the safe usage of the product.

This instructions manual should be read together with all other printed information such as catalogs, supplied by LEESON ELECTRIC.

General Operation

1. Run the motor which drives the reducer and check the direction of reducer output rotation. Consult motor nameplate for instructions to reverse the direction of rotation.
2. Attaching the load: On direct coupled installations, check shaft and coupling alignment between speed reducer and loading mechanism. On chain/sprocket and belt/pulley installation, locate the sprocket or pulley as close to the oil seal as possible to minimize overhung load. Check to verify that the overhung load does not exceed specifications published in the catalog.
3. High momentum loads: If coasting to a stop is undesirable, a braking mechanism should be provided to the speed reducer output shaft or the driven mechanism.

CAUTION The system of connected rotating parts must be free from critical speed, torsional or other type vibration, no matter how induced. The responsibility for this system analysis lies with the purchaser of the speed reducer.

Installation

1. Mount the unit to a rigid flat surface using grade 5 or higher fasteners. The mounting fasteners should be the largest standard size that will fit in the base mounting hole. Shim as required under flange or base feet which do not lie flat against the mounting surface.
2. For shipment, pipe plugs are installed in the unit and a vent plug is packed separately. After mounting the unit in position, remove the appropriate pipe plug and install the vent plug in the location shown on page 5. On double reduction units both the primary and the secondary must be vented. Failure to vent the unit can cause premature seal wear or loss of seal and oil. These conditions are not covered by warranty. Check for correct oil level. Contact the factory for level and vent recommendations on non-standard mounting positions. **WASHGUARD® (BISSC)** and **ALL-STAINLESS STEEL** reducers are factory supplied with an Enviro-Seal and do not use vents. See (Enviro-Seal) under **Lubrication** for further information.
3. **WASHGUARD® (BISSC)** and **ALL-STAINLESS STEEL** reducers include synthetic oil and an Enviro-Seal pre-installed at the factory. It is not necessary to vent these units, and they can be used as supplied from the factory. Do not loosen the nut holding the stem of the Enviro-Seal, and do not block the hole in the stem. Do not blow pressurized air into the hole, and avoid spraying washdown chemicals directly into the hole.
4. Connect motor to speed reducer.

WARNING Depending upon gear geometry and operating conditions worm gear reducers may or may not backdrive. Special consideration should be given to high inertia loads connected to the output shaft. Consult the factory for further details.

CAUTION DO NOT CHANGE MOUNTING POSITIONS WITHOUT CONTACTING FACTORY. Altering the mounting position may require special lubrication provisions which must be factory installed.

CAUTION Do not operate the reducer without making sure it contains the correct amount of oil. Do not overfill or underfill with oil, or injury to personnel, reducer or other equipment may result. **WASHGUARD®** and **ALL-STAINLESS STEEL** reducers are lubed and sealed for life, so in most applications it will not be necessary to drain or re-fill the unit.

CAUTION A unit cannot be used as an integral part of a machine superstructure which would impose additional loads on the unit other than those imposed by the torque being transmitted either through a shaft-mounted arrangement, and any shaft mounted power transmitting device. (e.g., sprockets, pulleys, couplings)

CAUTION For safe operation and to maintain the unit warranty, when changing a factory installed fastener for any reason, it becomes the responsibility of the person making the change to properly account for fastener grade, thread engagement, load, tightening torque and the means of torque retention.

Lubrication - Standard Units

With the exception of reducer sizes 870, 880 and 8100 (shipped dry), all standard worm reducers ordered from the factory are filled with synthetic lubricant to operate within a -10° to 105° F ambient temperature range. Double reduction units have separate oil sumps and must be filled/checked independently. Prior to startup, verify that the oil is at the level shown on the drawings on page 5. If the ambient temperature will be outside of this range, drain and refill reducer with lubricant of proper viscosity prior to use.

Enviro-Seal: WASHGUARD® (BISSC) and **ALL-STAINLESS STEEL** reducers come standard with an Enviro-Seal and synthetic oil pre-installed at the factory. It is not necessary to vent these reducers, and they can be used as supplied from the factory.

CAUTION In the Food and Drug Industry (including animal food), consult the lubrication supplier for recommendation of lubricants which are acceptable to the Food and Drug Administration and/or other authoritative bodies having jurisdiction.

CAUTION Do not mix different oils in the reducer. Oils should be compatible with Viton® seal material.



Instruction Manual



Lubrication

The reducer is properly filled at the factory with sufficient lubricant per customer specified mounting position. If position is not specified by customer, reducer will be filled to level in mounting position 1 (worm over) Reducer ordered with a "MOD" will be filled based on the factory assumed mounting position, mounting position should be specified with order to assure proper lubrication.

Factory Assumed Mounting Orientation	Applicable Unit Styles*	
Worm Over	B, T, F, H, FH, C D, DT, DF, DH, DFH DX, DXT, DXH, DXFH	Single Reduction Double Reduction Worm-Worm Double Reduction Helical-Worm
Worm Under	U DU	Single Reduction Double Reduction Worm-Worm
Vertical Output	VL, VH DVL, DVH DXVL, DXVH	Single Reduction Double Reduction Worm-Worm Double Reduction Helical-Worm
Vertical Input	J DJ DXJ	Single Reduction Double Reduction Worm-Worm Double Reduction Helical-Worm

* INCLUDES MOTORIZED COUPLING AND QUILL INPUT VERSIONS OF ALL STYLES LISTED

All standard IRONMAN® BY OHIO GEAR Worm Reducers are factory filled with MOBIL SHC-634 lubricant, a synthesized hydrocarbon formulated for long life and wide operating temperature range (-25°F to +220°F).
Change intervals: Standard compounded lubricants (non-synthetic) should be changed every six months or 2500 operating hours, whichever comes first. Factory installed synthetic lubricants should be changed only when performing maintenance that requires gearbox disassembly.

If oil must be replaced in IRONMAN® BY OHIO GEAR Worm Reducers, use only MOBIL SHC-634.

Do not confuse MOBIL SHC-634 with MOBILGEAR 634. MOBILGEAR 634 is an EP type gear oil NOT suitable for use in the IRONMAN® BY OHIO GEAR worm gear reducers.

SPECIAL LUBRICATION REQUIREMENTS - Size 830 & Larger
Please specify mounting position "with order" if any of the following applies:

- 1- Reducer is mounted with input or output shafts vertical
- 2- Input speed is less than 900 RPM
- 3- Reducer is mounted in inclined position

NOTE: The reducer may require modifications to assure proper lubrication in these applications.

For lubrication requirements of helical reducers (primaries of helical/worm reducers and ratio multipliers), refer to ratio multiplier maintenance manual or contact LEESON Electric.

Oil Capacities (ounces) - Standard Units

Mounting Position	UNIT SIZE													
	813	815	818	821	824	826	830	832	842	852	860	870*	880*	8100*
1-Worm Over	4	12	12	20	24	40	56	72	112	188	312	560	768	1152
2-Worm Under	8	16	20	28	40	60	84	108	152	304	328	524	820	1280
3-Vertical Output	4	16	16	28	32	48	68	88	128	248	320	332	460	640
4-Vertical Input	4	16	16	24	32	48	72	92	128	248	325	584	800	1200
5-Worm Over on Secondary Unit of Double Reduction	—	—	—	N/A	N/A	N/A	N/A	192	308	320	485	805	1144	1716

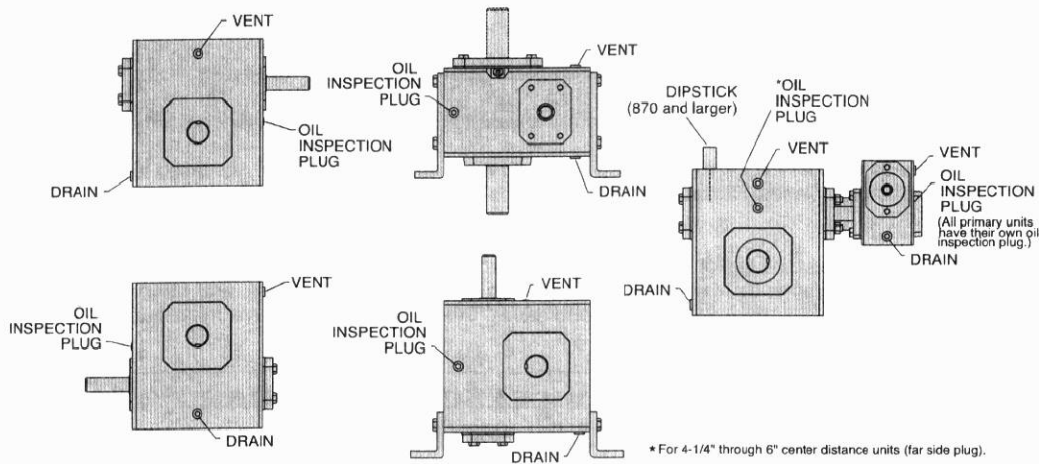
* Shipped dry

16 OZ.	=	1 PINT
2 PINTS	=	1 QUART
4 QUARTS	=	1 GALLON
1 GALLON	=	128 OZ.



Always check for proper oil level after filling. Capacities vary somewhat with model and mounting position. Oil should rise to bottom edge of level hole. Do not overfill.

**Standard Speed Reducer Mounting Positions
& Vent Plug, Level and Drain Locations**



Maintenance - Standard Units

Your IRONMAN® BY OHIO GEAR reducer has been tested and adjusted at the factory. Dismantling or replacement of components must be done by LEESON to maintain the warranty.

Inspect vent plug or stem of the Environ-Seal (if equipped) often to insure it is clean and operating.

CAUTION Mounting bolts should be routinely checked to ensure that the unit is firmly anchored for proper operation.

Seals: The IRONMAN® BY OHIO GEAR line of speed reducers utilize premium quality seals which are the state-of-the-art in sealing technology. Seals are, however, a wear item and eventually need to be replaced. Replacement can be easily accomplished by following the steps below:

1. Remove the worn seal without damaging the shaft surface or the seal bore. This can be done by drilling a .062" diameter hole in the seal casing (being careful not to drill into the bearing behind the seal). Screw a #10 sheet metal screw into the hole and pry out the seal.
2. Clean the seal bore of sealant.
3. Before installing the new seal, use electrical tape to cover any keyways on the shaft to prevent seal lip damage.
4. Grease the seal lips with bearing grease and apply a sealant to the seal bore.
5. Slide the seal over the shaft being careful not to fold the inner lip over on any shaft steps.
6. Press the seal into its bore with a sleeve that presses on the seal casing, being careful to keep the seal square in its bore.

If seal leakage has resulted in the loss of a significant amount of oil, it may be necessary to add more lubricant. For normal ambient temperature conditions, LEESON recommends Mobil SHC 634 synthetic gear oil for worm drives, and MOBILGEAR 629 (non-synthetic) oil for helical drives.

CAUTION Always check for proper oil level after filling. Do not overfill or underfill with oil, or injury to personnel, reducer, or other equipment may result.

CAUTION Do not mix different oils in the reducer. Oils should be compatible with Viton® seal material.



Instruction Manual



Maintenance - WASHGUARD® and ALL-STAINLESS STEEL Reducers

Your LEESON WASHGUARD® and ALL-STAINLESS STEEL reducer has been tested and adjusted at the Factory. Dismantling or replacement of components must be done by LEESON to maintain the warranty.

Inspect the stem of the Enviro-Seal often to ensure it is clean and operating properly.

CAUTION Mounting bolts should be routinely checked to ensure that the unit is firmly anchored for proper operation.

Seals: The LEESON line of speed reducers utilize premium quality seals which are state-of-the-art in sealing technology. Seals are, however, a wear item and eventually need to be replaced. Replacement can easily be accomplished by following the procedure given under Maintenance - Standard Units on page 5.

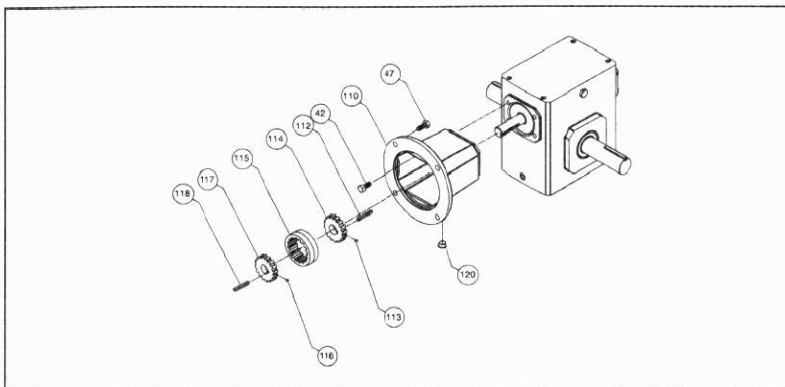
If seal leakage has resulted in the loss of a significant amount of oil, it may be necessary to add more lubricant. For normal ambient temperature conditions, LEESON recommends Mobil SHC 634 synthetic gear oil for worm drives, and Mobil SHC 150 (synthetic) for helical drives. For all WASHGUARD® and ALL-STAINLESS STEEL worm drives, fill the gearbox to the level indicated in the diagram below.



CAUTION Always check for proper oil level after filling. Do not overfill or underfill with oil, or injury to personnel, reducer, or other equipment may result.

CAUTION Do not mix different oils in the reducer. Oils should be compatible with Viton® seal material.

**Installation of "C" Flange Adapter Kits
With Flexible Couplings (BM Style)**



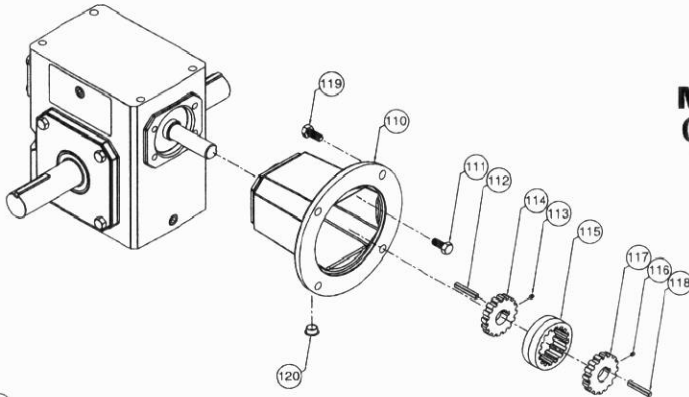
These instructions must be followed for proper installation of "C" Flange Adapter and Motor onto IRONMAN® BY OHIO GEAR Worm Reducers. These reducers have input ball bearings mounted directly in the housing, and no bearing cap on the input shaft side.

1. Make sure reducer pilot and face, and flange pilot and face are clean.
2. Install "C" Flange Adapter (ref. 110) onto reducer, being careful not to damage seal.
3. Install capscrews (ref. 42) and tighten to torque specified in tightening torque chart on page 6.
4. Install key (ref. 112) in the input shaft, key should be flush with shaft end. Install coupling hub (ref. 114) flush with end of reducer shaft.
5. Rotate input shaft of reducer to position the set screw (ref. 113) in line with access hole provided in the "C" flange adapter, tighten set screw (make sure key is properly in place under set screw).
6. Slide plastic sleeve (ref. 115) over reducer hub until it comes to a stop.
7. **Discard motor key** and install key supplied in kit (ref. 118) flush with motor shaft end. Install coupling hub (ref. 117) flush with end of motor shaft and tighten set screw (ref. 116), make sure key is under set screw.
8. Install motor by sliding hub into sleeve until it comes to a stop. Install capscrews (ref. 47) and tighten to torque specified on tightening torque chart.
9. **Install plastic plug (ref. 120) into the "C" Flange Adapter access hole.**

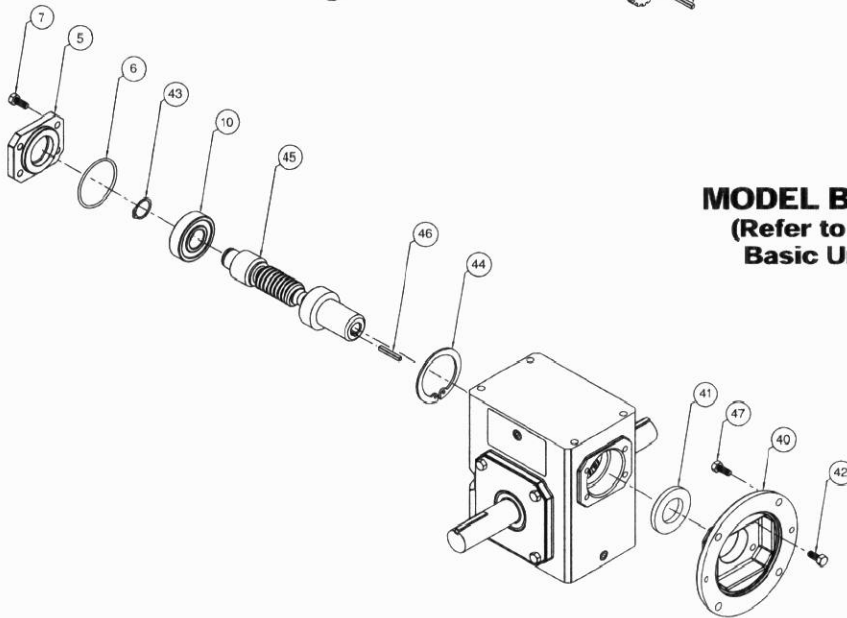
Items Included in "C" Flange Adapter Kit

- | | |
|--|--|
| 1. One "C" Flange Adapter (ref. 110) | 7. One coupling sleeve (ref. 115) |
| 2. Four capscrews (ref. 42) adapter to reducer | 8. One motor coupling hub (ref. 117) |
| 3. One reducer coupling hub (ref. 114) | 9. One motor shaft key (ref. 118) |
| 4. One reducer input key (ref. 112) | 10. One motor hub set screw (ref. 116) |
| 5. One reducer hub set screw (ref. 113) | 11. One access hole plug (ref. 120) |
| 6. Four capscrews (ref. 47), motor to adapter | |

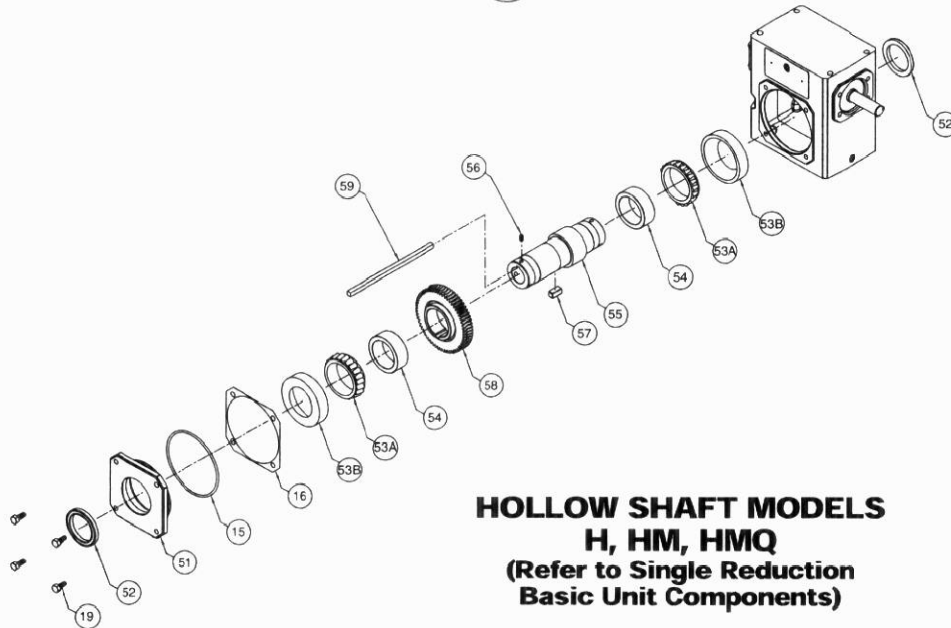
Capscrew Tightening Torque Grade 5 Capscrews (dry, without lubricant)	
Capscrew Size	Tightening Torque (lb.-in.)
1/4 UNC	75
5/16 UNC	155
3/8 UNC	275
1/2 UNC	780



MODEL BM813-BM860
(Refer to Single Reduction
Basic Unit Components)



MODEL BMQ813-BMQ860
(Refer to Single Reduction
Basic Unit Components)



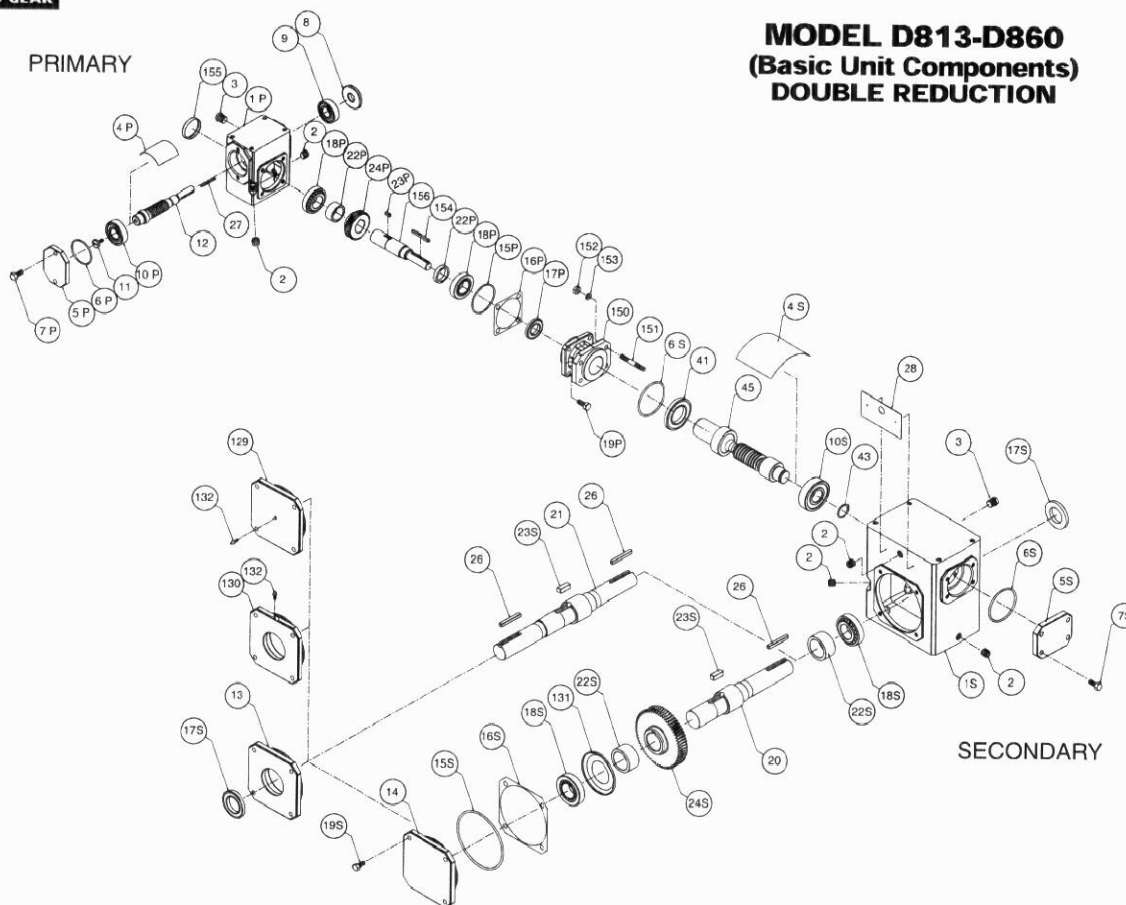
HOLLOW SHAFT MODELS
H, HM, HMQ
(Refer to Single Reduction
Basic Unit Components)



Parts List



MODEL D813-D860 (Basic Unit Components) DOUBLE REDUCTION

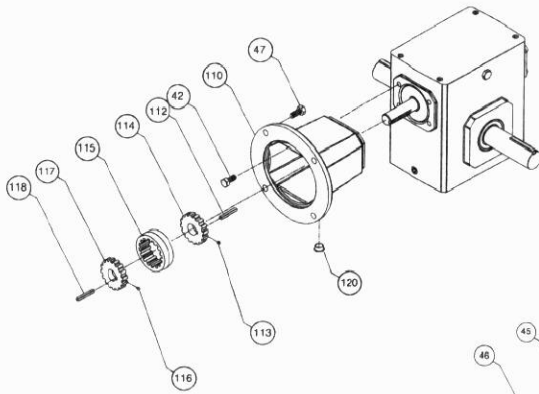


DOUBLE REDUCTION UNIT (D-STYLE)		HOLLOW OUTPUT SHAFT UNIT (H-STYLE)	
ITEM # DESCRIPTION	23 GEAR KEY (only used on size 826 and larger units)	47 HEX HEAD CAP SCREW (motor to flange)	SHAFT
1 HOUSING	♦24 OUTPUT GEAR	51 OUTPUT COVER	118 COUPLING KEY - MOTOR SHAFT
2 PIPE PLUG	26 KEY - OUTPUT EXTENSION	52 OUTPUT OIL SEAL	47 HEX HEAD CAP SCREW (motor to flange)
3 VENT PLUG	27 KEY - INPUT EXTENSION	53 OUTPUT BEARING (53A. CONE, 53B. CUP)	120 PLASTIC PLUG
4 SPLASH GUARD	28 NAMEPLATE	54 GEAR SPACER	VERTICAL SHAFT REQUIRED PARTS (supplied only when mounting position involves a vertical shaft)
5 INPUT CAP	41 INPUT OIL SEAL	♦55 OUTPUT SHAFT	*129 OUTPUT COVER - CLOSED
6 O-RING	43 RETAINING RING - SHAFT	56 SETSCREW	*130 OUTPUT COVER - OPEN
7 HEX HEAD CAP SCREW	45 QUILL INPUT SHAFT	57 GEAR KEY (only used on size 826 and larger units)	*131 OUTPUT BEARING GREASE RETAINER
8 INPUT OIL SEAL	150 DOUBLE REDUCTION ADAPTER	♦58 OUTPUT GEAR	132 GREASE FITTING
9 INPUT BEARING (cup and cone for 842 and larger units)	151 STUD	59 OUTPUT KEY	133 SEALED BALL BEARING (only used on size 818 thru 826 units)
10 INPUT BEARING (cup and cone for 842 and larger units)	152 HEX NUT	LONG MOTOR FLANGE AND COUPLING KIT (BM-STYLE)	♦134 INPUT COVER
♦11 RETAINING SCREW	153 LOCK WASHER	110 "C" FACE MOTOR FLANGE	♦136 INPUT BEARING GREASE RETAINER
12 INPUT WORM SHAFT	154 PRIMARY SOLID OUTPUT KEY	42 HEX HEAD CAP SCREW (flange to housing)	* ONLY USED ON SIZE 842 AND LARGER UNITS
13 OUTPUT COVER - OPEN	155 EXPANSION PLUG	112 COUPLING KEY - REDUCER SHAFT	♦ ONLY USED ON SIZE 830 AND LARGER UNITS
14 OUTPUT COVER - CLOSED	156 PRIMARY SOLID OUTPUT SHAFT	113 SETSCREW - REDUCER SHAFT	♦ SUPPLIED ONLY AS OUTPUT ASSEMBLY ON 813 THROUGH 824 UNITS
15 O-RING	QUILL MOTOR FLANGE UNIT (DMQ-STYLE)	114 COUPLING GEAR - REDUCER SHAFT	■ ONLY USED ON SIZES 813 - 832
16 OUTPUT COVER SHIM (as required)	40 QUILL MOTOR FLANGE	115 COUPLING SLEEVE	P - PRIMARY
17 OUTPUT OIL SEAL	41 INPUT OIL SEAL	116 SETSCREW - MOTOR SHAFT	S - SECONDARY
18 OUTPUT BEARING (18A. CONE, 18B. CUP)	42 HEX HEAD CAP SCREW (flange to housing)	117 COUPLING GEAR - MOTOR	
19 HEX HEAD CAP SCREW	43 RETAINING RING - SHAFT		
♦20 OUTPUT SHAFT - SINGLE	*44 RETAINING RING - HOUSING		
♦21 OUTPUT SHAFT - DOUBLE	45 QUILL INPUT SHAFT		
22 GEAR SPACER	46 KEY - INPUT		

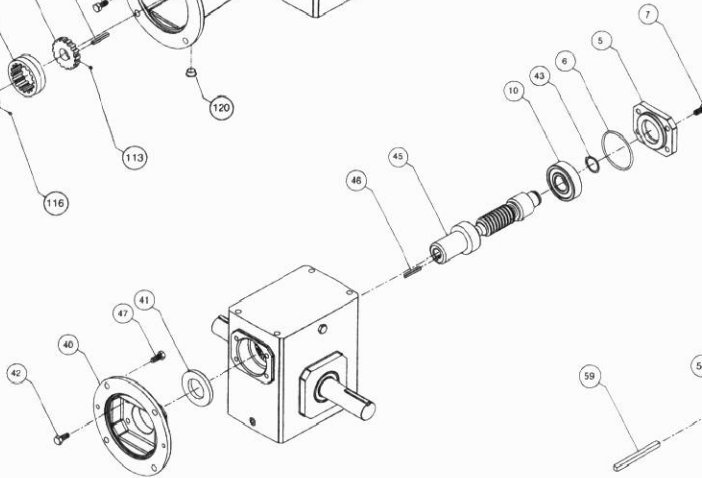
Phone: (262) 377-8810

10

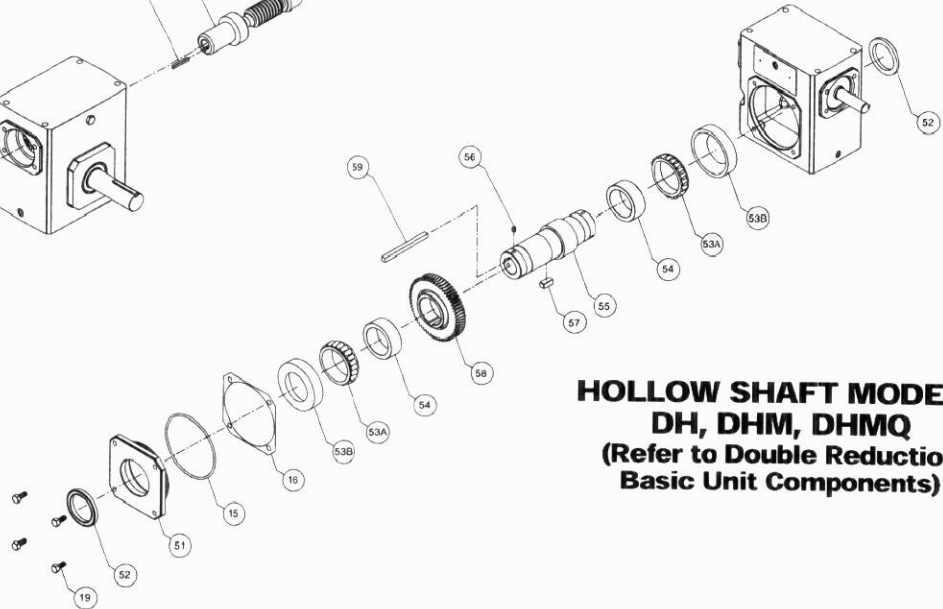
Fax: (262) 377-0090



MODEL DM813-DM860
(Refer to Double Reduction
Basic Unit Components)

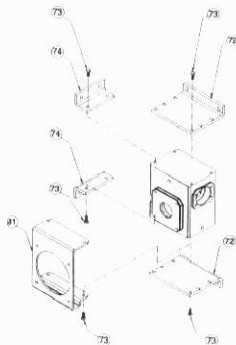


MODEL DMQ813-DMQ852
(Refer to Double Reduction
Basic Unit Components)

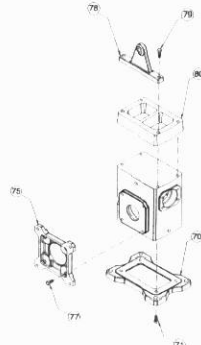


HOLLOW SHAFT MODELS
DH, DHM, DHMQ
(Refer to Double Reduction
Basic Unit Components)

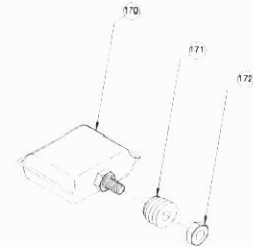
**STEEL MOUNTING
ACCESSORIES**



**CAST MOUNTING
ACCESSORIES**



ENVIRO-SEAL



MOUNTING BRACKET OPTIONS

- 70 HORIZONTAL MOUNTING BASE
- 71 CAP SCREW
- 72 HIGH AND LOW V-BRACKETS
- 73 HEX HEAD CAP SCREW
- 74 "J" MOUNT BRACKET
- 75 "F" OUTPUT FLANGE (CAST)

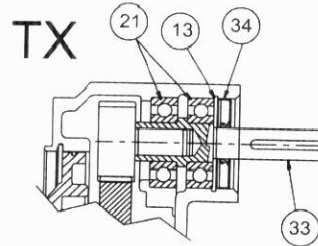
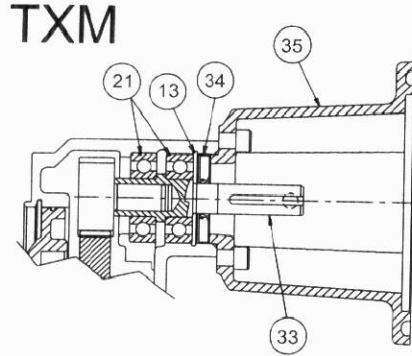
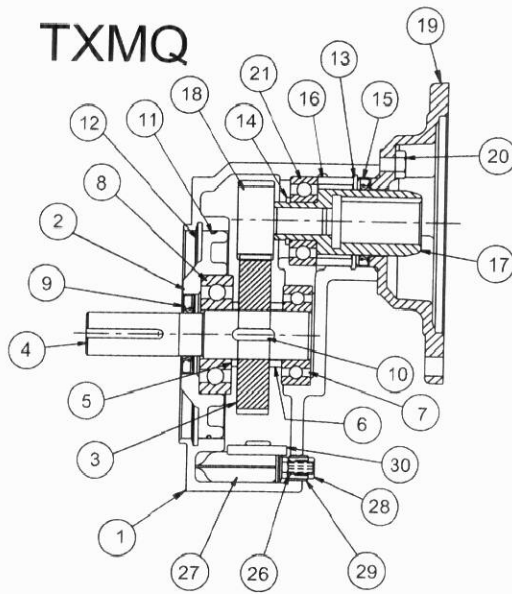
- 77 HEX HEAD CAP SCREW
- 78 TORQUE BRACKET
- 79 HEX HEAD CAP SCREW
- 80 RISER BLOCK
- 81 "FB" OUTPUT FLANGE (bent steel - only available thru size 826, excluding 815 units)

ENVIRO-SEAL ASSEMBLY

- 170 ENVIRO-SEAL CHAMBER
- 171 ENVIRO-SEAL STEM PLUG
- 172 ENVIRO-SEAL STEM NUT



Parts List Ratio Multipliers



TXMQ 1, 2 & 3 PARTS LIST:

ITEM #	DESCRIPTION
1	HOUSING
2	COVER, OUTPUT
3	GEAR, OUTPUT
4	OUTPUT SHAFT
5	SPACER, OUTPUT
6	SPACER, OUTPUT
7	BEARING, OUTPUT
8	BEARING, OUTPUT
9	SEAL, OUTPUT
10	KEY, OUTPUT
11	"O" RING, OUTPUT
12	SNAP RING, OUTPUT
13	SNAP RING, INPUT
14	SNAP RING, INPUT
15	SEAL, INPUT
16	SPACER, INPUT
17	QUILL, COUPLING
18	PINION, INPUT
19	FLANGE, QUILL INPUT
20	BOLT, INPUT
21	BEARING, INPUT
26	"O" RING, INT. PRES. COMP.
27	INT. PRES. COMPENSATION
28	NUT, INT. PRES. COMP.
29	PLUG, STEM
30	SPLASH GUARD

ITEM #	DESCRIPTION
19	FLANGE, QUILL INPUT
20	BOLT, INPUT
21	BEARING, INPUT
26	"O" RING, INT. PRES. COMP.
27	INT. PRES. COMPENSATION
28	NUT, INT. PRES. COMP.
29	PLUG, STEM
30	SPLASH GUARD

WASHGUARD styles only.

TX & TXM (2 & 3) PARTS LIST
(SOLID INPUT)

ITEM #	DESCRIPTION
33	SHAFT, INPUT
34	SEAL, INPUT
35	FLANGE, MOTOR (TXM ONLY)

Class of Service

All capacity ratings are based on proper application of American Gear Manufacturers Association (AGMA) service factors as given on page 174 of the IRONMAN® BY OHIO GEAR 8050 Catalog. Load conditions must be within cataloged ratings published in the current LEESON Catalog (available upon request).

Warranty From LEESON Electric - See 8050 catalog pages 185-187 for warranty terms and conditions.

IRONMAN® is a registered mark of World Triathlon Corporation used under license.



LEESON ELECTRIC
A REGAL-BELOIT COMPANY

GRAFTON, WISCONSIN 53024-0241 U.S.A.
TEL (262)377-8810 FAX (262)377-9025 www.leeson.com



MULTI-DRIVE™
Solid State
DC Motor
Speed Control
With
Adj. Acceleration
& Deceleration

Model KBMD-240D



KB Part No.
9370A

Installation
and
Operating
Instructions

See SAFETY WARNING on page 4.

- Dual Voltage Input (120V or 240V)
- Up to 1HP-120V & 2HP-240V with Auxiliary Heatsink* (P/N 9861)
- Multiple Horsepower capability with Plug-In Horsepower Resistor® (Supplied Separately)
- Forward-Brake-Reverse Switch (P/N 9860) (Optional)
- Rugged NEMA I enclosure
- Contains AC Line and Armature Fusing**
- Patented KBMM Speed Control Module
- Current Limit LED Indicator

* Rating without Heatsink is 3/4HP at 120V and 1-1/2HP at 240V.

** Armature Fuse supplied separately.



PENTA  POWER™

A COMPLETE LINE OF MOTOR DRIVES

© 1997 KB ELECTRONICS, INC.

IMPORTANT

Read these simplified instructions before operating control.

(Remove (2) 6-32 screws and slide off front cover.)

- Set the Dual Voltage Switch to the correct AC line input voltage, "115" or "230."
- Install the correct Plug-In Horsepower Resistor® according to input voltage and motor horsepower (see chart)—Table 3, page 3.
- Install proper size Armature Fuse—(see Fuse Selection Chart).
- Install Auxiliary Heatsink on controls used with motors rated above 3/4 HP on 120 volts and 1-1/2 HP on 240 volts.
- Recheck connections: AC line to L1 and L2; armature to A+ and A-; and field (Shunt motor only) to F+ and F-. Connect ground via ground screw. (Note if motor runs in improper direction reverse armature leads.)
- Nominal trimpot settings are as follows (expressed in % of full CW rotation):

Table 1

MIN (minimum speed):	15%
MAX (maximum speed):	60%
IR (IR compensation):	15%
CL (current limit/torque):	65%
ACCEL (acceleration start):	20%
DECEL (deceleration):	20%

- (For detailed instructions see Selection IV, pages 9 & 10.)

FOR TECHNICAL ASSISTANCE CALL TOLL FREE (OUTSIDE FLORIDA ONLY) 1-800-221-6570.

LIMITED WARRANTY

For a period of 18 months from date of original purchase KB will repair or replace without charge devices which our examination proves to be defective in material or workmanship. This warranty is valid if the unit has not been tampered with by unauthorized persons, misused, abused, or improperly installed and has been used in accordance with the instructions and/or ratings supplied. The foregoing is in lieu of any other warranty or guarantee expressed or implied, and we are not responsible for any expense (including installation and removal), inconvenience, or consequential damage, including injury to any person, caused by items of our manufacture or sale. Some states do not allow certain exclusions or limitations found in this warranty so that they may not apply to you. In any event, KB's total liability, under all circumstances, shall not exceed the full purchase price of this unit. (Rev. 10/84)

The information contained in this brochure is intended to be accurate. However, the manufacturer retains the right to make changes in design which may not be included herein.

Multi-Drive[®] is versatile.

• DUAL AC VOLTAGE

1. The basic Model KBMD-240D has dual AC line voltage input capability** which provides 0-full speed capability on DC motors from 1/100th–3/4 HP at 120 VAC and 1/50th–1-1/2 HP at 240 VAC (set the Dual Voltage Switch to the corresponding input voltage "115" or "230").

• HORSEPOWER EXTENDER

2. Add the KB Auxiliary Heatsink to increase the horsepower



KBMD-240D



KBMD-240D
With Auxiliary
Heatsink
& FWD-BRK-REV Switch

capability to 1/100th–1 HP at 120 VAC and 1/50–2 HP at 240 VAC. KB Part No. SC-9861.

• ALL MOTOR SIZES

3. Multi-Drive[®] adapts to a complete range of motor horsepower by selecting and installing the proper Plug-In Horsepower Resistor[®] (see chart).

• REVERSIBLE

4. A FWD-BRK-REV Switch Kit is available as an option.



KB Part No.
SC-9860

Forward Brake
Reverse Switch



Plug-In
Horsepower
Resistor[®]

NOTE: An optional FORWARD-BRAKE-REVERSE Switch is available.

TABLE 2. ELECTRICAL RATINGS*

MODEL NUMBER	AC LINE VOLTAGE (VAC)**	MOTOR VOLTAGE (VDC)***	AC LOAD CURRENT (RMS AMPS)	DC LOAD CURRENT (AVG. AMPS)	MAX. HP
KBMD-240D Without Auxiliary Heatsink	120	90-130	12.0	8.0	3/4
	240	180	12.0	8.0	1-1/2
KBMD-240 With Auxiliary Heatsink	120	90-130	16.0	11.0	1
	240	180	16.0	11.0	2

* The Multi-Drive[®] can be converted to the higher rating by installing KB's Auxiliary Heatsink.

** The Multi-Drive[®] must be set for either 120 V or 240 VAC line voltage input by setting the Dual Voltage Switch to "115" or "230". When the control is set for "115" use only 90-130 VDC rated motors. When the control is set for "230" use only 180 VDC rated motors.

*** The Multi-Drive[®] also supplies field voltage for shunt motors as follows:

On 120 VAC line, field voltage is 100 VDC using F₋, F₊ and 50 VDC using L₁, F₋.

On 240 VAC line, field voltage is 200 VDC using F₋, F₊ and 100 VDC using L₁, F₋.

TABLE 3. PLUG-IN HORSEPOWER RESISTOR CHART***

AC LINE VOLTAGE		PLUG-IN HORSEPOWER RESISTOR* (Resistance Value-OHMS) **
120 VAC	240 VAC	
MOTOR HORSEPOWER RANGE		PLUG-IN HORSEPOWER RESISTOR* (Resistance Value-OHMS) **
ARMATURE VOLTAGE 90-130 VDC	ARMATURE VOLTAGE 180 VDC	
1/100-1/50	1/50-1/25	1.0
1/50-1/30	1/25-1/15	.51
1/30-1/20	1/15-1/10	.35
1/20-1/12	1/10-1/6	.25
1/12-1/8	1/6-1/4	.18
1/8-1/5	1/4-1/3	1
1/4	1/2	.05
1/3	3/4	.035
1/2	1	.025
3/4	1 1/2	.015
1*	2*	.01

Motor horsepower and armature voltage must be specified when ordering so that proper Horsepower Resistor[®] will be supplied.

* Use with Auxiliary Heatsink

** For overlapping motor horsepower range use lower value Plug-In Horsepower Resistor[®].

*** Customer choice use PWR and avoid recalibration or select one resistor and recalibrate for different motors.

TABLE OF CONTENTS

Section	Page
Simplified Instructions	
Warranty	2
MULTI-DRIVE[®] Versatility	
Electrical Ratings	3
Introduction	6
I Application Information	6
A. Motor Type	6
B. Torque Requirements	6
C. Acceleration Start	6
D. Limitations in Use	6
II Installation Instructions	7
A. Location and Mounting	7
B. Initial Setup	7
C. Wiring	7
D. Fusing	8
III Operation	9
IV Adjustments and Control	
Functions	9
A. Acceleration Start (ACCEL)	9
B. Maximum Speed (MAX) Adjustment	9
C. Minimum Speed (MIN) Adjustment	10
D. Current Limit (CL)/ Torque-Adjustment	10
E. IR-Comp (IR) Adjustment	10

Section	Page
V Trouble Shooting Guide	11
VI Internal Wiring Diagrams	13

LIST OF ILLUSTRATIONS

Figure	Page
1. MULTI-DRIVE [®] Versatility	3
2. Location of Features and Functions	5
3. Mounting Dimensions	7
4. Connection Diagram	8
5. ACCEL/DECEL Trimpot Adjustment	9

LIST OF TABLES

Table	Page
1. Nominal Trimpot Settings	2
2. Electrical Ratings	3
3. Plug-In Horsepower Resistor Chart	3
4. General Performance Specifications	5
5. Minimum Supply Wire Size Requirements	8



SAFETY WARNING—PLEASE READ CAREFULLY

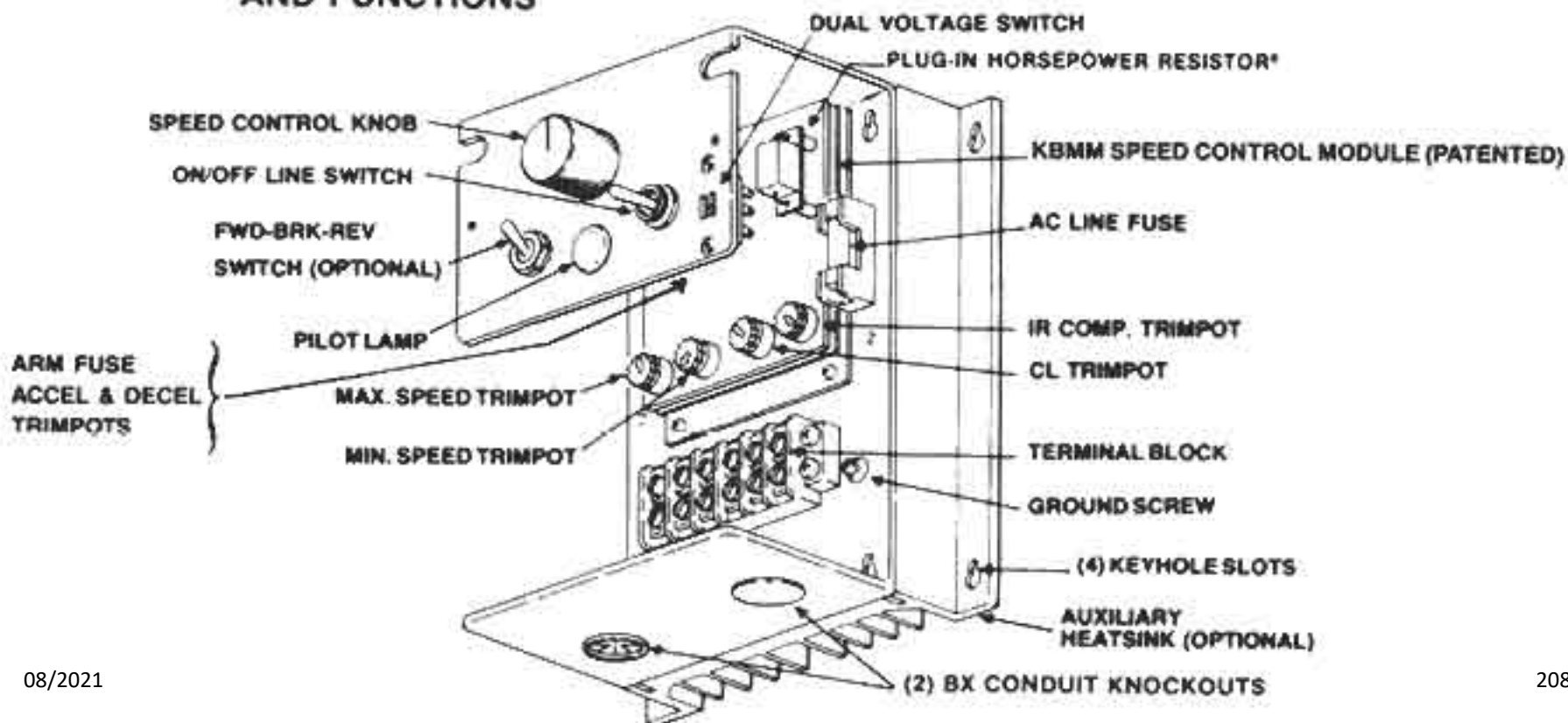
This product should be installed and serviced by a qualified technician, electrician or electrical maintenance personnel familiar with its operation and the hazards involved. Proper installation which includes wiring, mounting in proper enclosure, fusing or other overcurrent protection and grounding, can reduce the chance of electric shocks, fires or explosion in this product or products used with this product, such as electric motors, switches, coils, solenoids and/or relays. Eye protection must be worn and insulated adjustment tools must be used when working with control under power. This product is constructed of materials (plastics, metals, carbon, silicon, etc.) which may be a potential hazard. Individual material safety data sheets (MSDS) are available upon request. Proper shielding, grounding and filtering of this product can reduce the emission of radio frequency interference (RFI) which may adversely affect sensitive electronic equipment. If information is required on this product, contact our factory. It is the responsibility of the equipment manufacturer and individual installer to supply this safety warning to the ultimate user of this product. (SW effective 7/89)

TABLE 4. GENERAL PERFORMANCE SPECIFICATIONS

Speed range (ratio)	50:1
Load regulation (% base speed) (0–full load; 50:1 speed range)	1*
Line voltage regulation (% base speed) (at full load; 100–130 VAC)	1/2*
Control linearity (% speed vs. dial rotation)	2
CL/torque range (% full load)	0–200
ACCEL/DECEL time period (0–full speed) (secs.)	.2–10
Min. speed trimpot range (% full speed)	0–30*
Max. speed trimpot range (% full speed)	50–110*
IR compensation trimpot range (at specified full load) (volts)	0–24
Maximum allowable ambient temperature at full rating (°C/°F)	50/122

*Performance is for SCR rated PM motors only. Lower performance can be expected with other motor types. Factory setting is for 3% load regulation. To obtain superior regulation, see Sec. IV E. (page 10). Other factory trimpot settings are as follows: CL-150% FL, ACCEL-2 secs., DECEL-2 secs., MIN-(0)-speed, MAX-full speed & IR-6 volts.

FIG. 2 LOCATION OF FEATURES AND FUNCTIONS



INTRODUCTION

The New Multi-Drive[®] Full Wave Solid State DC Motor Speed Control with the patented KBMM Speed Control Module represents the latest state-of-the-art design achievable through modern technology.

Features Include: Short circuit protection, CL LED Indicator, Auto Inhibit.

- **Integrated Circuitry**

Used to control and amplify command and reference levels with both closed and open loop feedback to provide superior motor regulation. (Speed changes due to load, line voltage, or temperature variations are held to minimum levels).

- **High Quality Components**

Selected and tested for proven dependability.

- **Transient Protection**

Used to prevent failure of the power bridge circuit caused by voltage spikes on the AC line.

- **High Reliability**

When used in accordance with the instructions included in this manual, the Multi-Drive[®] will provide years of trouble-free operation.

SECTION I. APPLICATION INFORMATION

A. Motor Type. Multi-Drive[®] is designed for Permanent Magnet (PM) and Shunt Wound D.C. motors. Controls operated on 120 volt AC inputs are designed for 90 volt SCR rated motors. Controls operated on 240 volt AC inputs are designed for 180 volt SCR rated motors. Use of higher voltage motors will result in degradation of full speed performance. Also, if motor is not an SCR rated type, the actual AC line amperage at full load should not exceed the motor's DC nameplate rating.

B. Torque Requirements. When replacing an AC induction motor with a DC motor and speed control, consideration must be given to the maximum torque requirements. The full load torque rating of the DC motor must be equal to, or greater than, that of the AC motor.

C. Acceleration Start. The Multi-Drive[®] contains an adjustable acceleration start feature which allows the motor to smoothly accelerate from 0–full speed over a time period of .2–10 seconds. The "ACCEL" is factory set at 2 seconds.

D. Limitations in Use. Multi-Drive[®] controls are designed for use on machine applications.

CAUTION: Consult factory before using on constant horsepower applications such as saws or drill presses. Do not use in explosive atmosphere.

CAUTION: Be sure the Multi-Drive[®] is used within its max. ratings. Follow all installation instructions carefully. (Refer to Section II.)

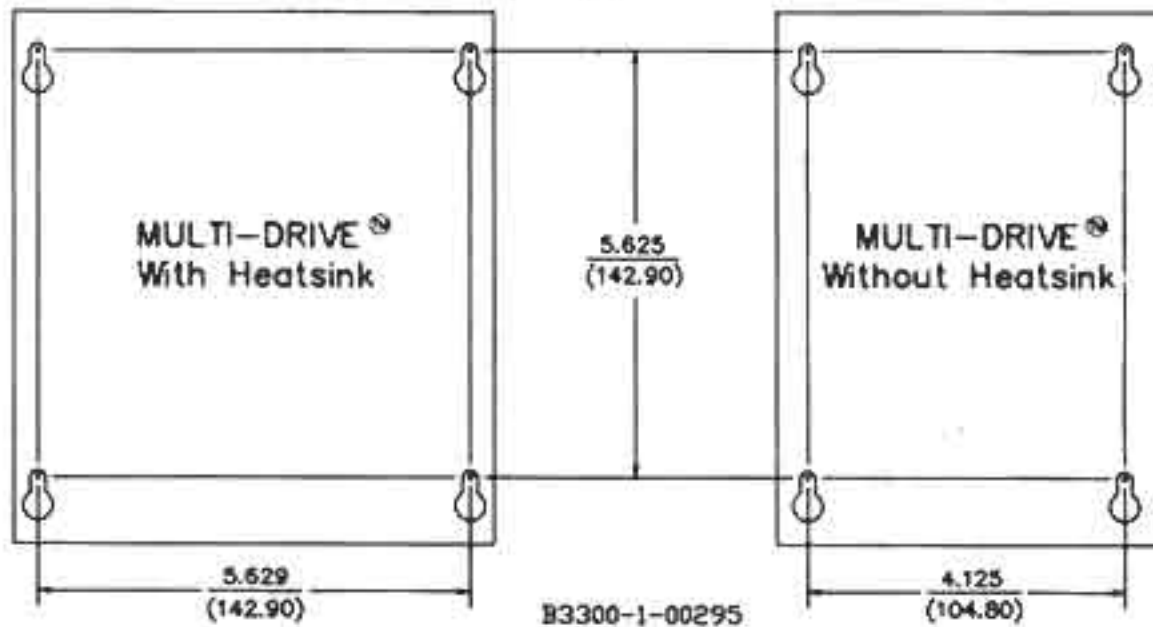
SECTION II. INSTALLATION INSTRUCTIONS

A. Location and Mounting. The Multi-Drive[®] control should be mounted on a flat surface and located in an area where it will not be exposed to contaminants such as water, metal chips, solvents, or excessive vibration.

When mounting in an airtight enclosure, the air space should be large enough to provide adequate heat dissipation. The maximum allowable ambient temperature at full rating is 50°C (122°F). Consult your factory representative if more information is required.

NOTE: Adequate clearance must be allowed to permit motor and power cables to enter through BX knockouts on bottom of control.

FIG. 3 MOUNTING DIMENSIONS (INCHES, MM)



B. Initial Setup. WARNING: To prevent electrical shock turn power off before wiring.

- (1) Slide open front cover by removing two 6-32 screws.
- (2) Install Plug-In Horsepower Resistor[®] corresponding to motor voltage and horsepower. (See chart Table 3, page 3)
- (3) Set the Dual Voltage Switch to proper position "115" or "230" which corresponds to the nominal AC input line voltage 120 or 240 VAC.
- (4) Install proper Armature fuse according to Fuse Selection Chart. (Table 6, page 8)
- (5) Trimpots have been factory adjusted. If readjustment is required see section IV pages 9 & 10.
- (6) Install Auxiliary Heatsink if motor is larger than 3/4 HP on 120 VAC and 1-1/2 HP on 240 VAC. (Use (6) No. 10-32 screws)

C. Wiring. (See Fig. 4 for terminal arrangement and wiring information.)

- (1) Connect the Multi-Drive[®] to a standard 120 V or 240 V 50/60 Hz power source. [Be sure the DVS is set to the proper voltage "115" or "230" and motor voltage corresponds to the line voltage. (e.g. 90-130 VDC motor on 115-120 VAC and 180 VDC motor 230-240 VAC)]
- (2) Follow the recommended supply wire sizes as per Table 5. (For Stepdown operation see note on page 8.)
- (3) Follow the NEC and other appropriate electrical codes. **CAUTION:** Separate branch protection must be provided on 240 V circuits.
- (4) Replace front cover and the two 6-32 screws.

TABLE 5. MINIMUM SUPPLY WIRE SIZE REQUIREMENTS.

MAX. MOTOR AMPS (DC AMPS)	MAX. MOTOR HP 90 V	MAX. MOTOR HP 180 V	MINIMUM WIRE SIZE (AWG) Cu Only	
			MAX. 50 FOOT RUN	MAX. 100 FOOT RUN
8.0	3/4	1-1/2	16	14
11.0	1	2	14	12*

*Maximum recommended wire size

Application Note: Stepdown operation: The control can be set up for stepdown operation (e.g.: 90 VDC motors used with 240 VAC line input). If stepdown operation is required, the following procedure is used.

1. Place dual voltage switch in "115" position.
2. Cut out and remove the resistor R308 (large blue body) from the back of the dual voltage switch. For shunt wound motors only—connect motor field wires to F+ and L₁ terminals.

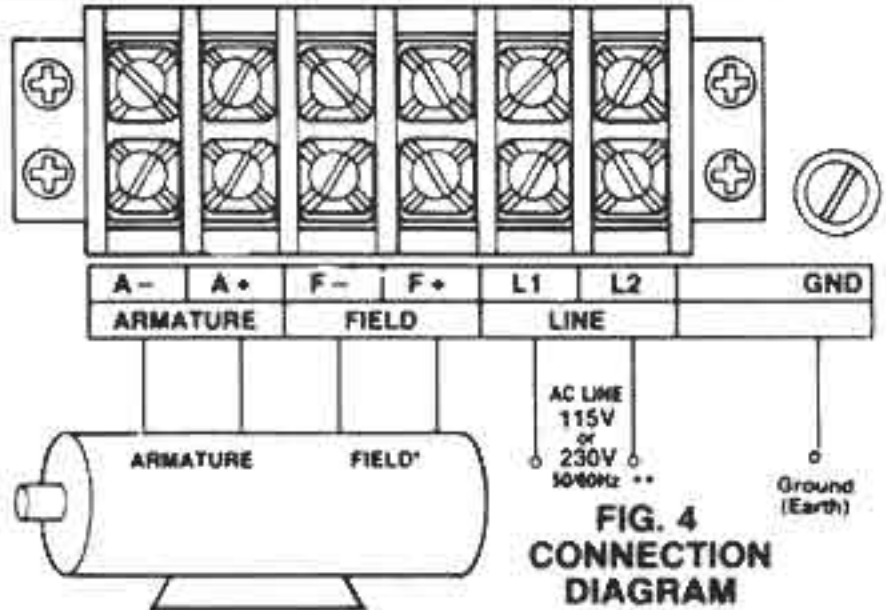


FIG. 4 CONNECTION DIAGRAM

* Use F- & F+ for shunt motors only. On motors with half voltage fields (e.g. 50 V field with 100 V rated armature) use L₁ & F+ terminals.
 ** Be sure to set the Dual Voltage Switch to the proper position "115" or "230".

TABLE 6. FUSE SELECTION CHART

90 VDC MOTOR HORSEPOWER	180 VDC MOTOR HORSEPOWER	APPROX. DC MOTOR CURRENT (AMPS)	FUSE RATING (AC AMPS) ARM	RECOM. RATING (AC AMPS) LINE
			1/30	1/15
1/20	1/10	.5	3/4	12
1/15	1/8	.65	1	12
1/12	1/6	.85	1-1/4	12
1/8	1/4	1.3	2	12
1/6	1/3	1.7	2-1/2	12
1/4	1/2	2.5	4	12
1/3	3/4	3.3	5	12
1/2	1	5.0	8	12
3/4	1-1/2	7.5	12	12
1	2	10.0	15	25

CAUTION: If control is wired to a transformer, it is advisable to switch the secondary to disconnect power. If the primary is switched, additional snubber capacitors may have to be added across the transformer output to prevent damage to the power bridge.

WARNING: Do not wire switch or relay in series with armature or catastrophic failure will result.

D. Fusing.

- (1) The Multi-Drive™ contains a built-in replaceable AC line fuse rated 20A-240 VAC. (Use Buss type MDA or equiv.) The AC line fuse protects the control against catastrophic failure. If the fuse blows, the control is miswired, the motor is shorted or grounded, or the Speed Control Module is defective. (Note: jumping of fuse will void warranty)
- (2) Armature Fuse—Provides motor overload protection. Armature fuses are available from your distributor. Fuse at approximately 1.7 times the D.C. amperage rating of the motor. (See Fuse Selection Chart)

SECTION III. OPERATION

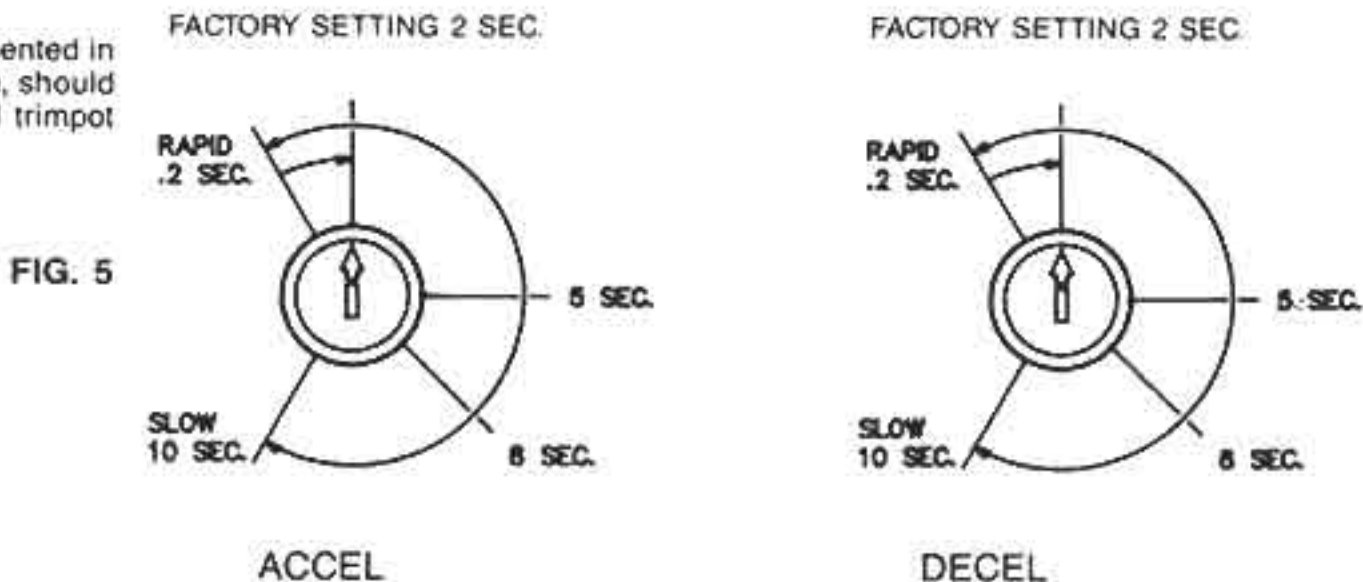
1. Set ON/OFF power switch to "OFF".
2. Set speed control knob to "0".
3. Set FWD-BRK-REV switch (if installed) to "FWD".
4. Turn power switch to "ON" gradually increase speed control knob setting. Motor should come up to speed smoothly and remain stable. (NOTE: If control fails to operate, see Troubleshooting Guide, Section V, p. 11, 12)

SECTION IV. ADJUSTMENTS AND CONTROL FUNCTIONS

The Multi-Drive[®] has been factory adjusted to provide 0 to full speed range using the speed control knob. Minimum and maximum speed trimpots are provided to change the speed from other than 0 to full speed. An acceleration start trimpot is factory set to provide motor acceleration from 0 to full speed over a time period of 2 seconds (approx.) each time the AC power is applied. The current limiting (CL, or torque output) adjustment is factory set to approximately one and a half times the motor rating. The IR Compensation (IR) is factory adjusted to provide excellent motor regulation under normal operation.

NOTE: In order for the IR comp and CL trimpot settings to be correct, the proper Plug-In Horsepower Resistor[®] must be installed for the particular motor and input voltage being used. Do not attempt to change the settings of the trimpots unless absolutely necessary since they are factory adjusted to near optimum settings.

The following procedure, presented in order of adjustment sequence, should be used when readjusting all trimpot functions:



- Acceleration Start and Deceleration.** ACCEL and DECEL trimpots are located on the left side of the speed control module. If the ACCEL and/or DECEL are to be readjusted to different times, adjust trimpots according to Figure 5.
- Maximum Speed Adjustment.** Turn Speed Control Knob to full speed (maximum CW position). Adjust max. speed trimpot to new desired setting.

NOTE: Do not attempt to adjust the max. speed above the rated motor RPM since unstable motor operation may occur. For moderate changes in the max. speed, there will be a slight effect on the min. speed setting when the min. speed is set at zero. There may be significant variation in the min. speed setting if the min. speed is at a higher than zero setting.

C. Minimum Speed Adjustment. If a higher than zero minimum speed is desired, readjust the minimum speed by turning the speed control knob to zero setting (full CCW position). Then adjust the Min. Speed Trimpot to the desired setting.

NOTE: The min. speed adjustment will affect the max. speed setting. Therefore, it is necessary to re-adjust the max. speed after the min. speed, and it may be necessary to repeat the sequence until both the min. and max. speeds are set to the desired levels.

D. Current Limit (CL/Torque Adjustment). CL circuitry is provided to protect the motor and control against overloads. The CL also limits the inrush current to a safe level during startup. The CL is factory set to approximately 1.5 times the full load rating of the motor. (CL trimpot is nominally set to approx. 75% of full CW rotation.) CL LED will light when control is in current limit.

NOTE: The correct value Plug-In Horsepower Resistor* must be installed in order for the CL and IR comp. to operate properly.

To set the CL to factory specifications adjust as follows:

1. Set speed control knob at approximately 30–50% CW rotation. Set CL trimpot to full CCW position.
2. Connect a DC ammeter in series with the armature lead.
3. Lock shaft of motor (be sure CL pot is in full CCW position). Apply power and rotate CL pot CW slowly until DC ammeter reads 1.5 times motor rating (do not exceed 2 times motor rating).

E. IR Compensation Adjustment. IR compensation is provided to substantially improve load regulation. If the load presented to the motor does not vary substantially, the IR adjustment may be set at a minimum level (approximately 1/4 of full setting). The control is factory adjusted to approximately 3% regulation if superior performance is desired (less than 1% speed change of base speed from 0 to full load), then the IR comp should be adjusted as follows:

NOTE: Excessive IR comp. will cause control to become unstable, which causes motor cogging.

1. Set IR comp. trimpot at approximately 25% of CW rotation. Run motor unloaded at approximately 1/3 speed and record RPM.
2. Run motor with maximum load and adjust IR comp. trimpot so that the motor speed under load equals the unloaded speed per step 1.
3. Remove load and recheck unloaded RPM. If unloaded RPM has shifted, repeat procedure for more exact regulation.

SECTION V. TROUBLESHOOTING GUIDE

The following Troubleshooting Guide is intended for use by a qualified technician. The Guide is designed to isolate common malfunctions of the MULTI-DRIVE[®] and/or motor. It should be used with the parts lists and schematics contained in this manual.

SYMPTOM

POSSIBLE CAUSE

CORRECTIVE ACTION

- | | | |
|---|--|--|
| 1. Motor does not run; power ON indicator not lit. | 1. Power switch in OFF position, or AC voltage not brought to L ₁ , L ₂ terminals. | 1. Move power switch to ON position. Correct wiring to control. |
| | 2. Blown line fuse. | 2. Replace line fuse with 20A rated 3AB-type fuse. If fuse blew due to miswiring, speed control module may be defective. |
| | 3. Defective power switch. | 3. Replace power switch. |
| 2. Motor does not run; power ON indicator lit. | 1. Speed control knob set to 0. | 1. Turn knob CW to start motor. |
| | 2. Defective motor. | 2. Check for defective motor, worn brushes, etc. Replace motor. |
| | 3. Plug-in Horsepower Resistor [®] not installed. | 3. Install proper Plug-in Horsepower Resistor [®] |
| | 4. Blown armature fuse. | 4. Replace fuse with proper value. |
| 3. Motor hums, or runs at very low speed (with control knob set at high number) or motor slows down substantially when load is applied. | 1. Low voltage. | 1. Check line voltage at control and rewire as required. |
| | 2. Overload condition; control in current limit mode (CL trimpot not set correctly). (CL LED lit) | 2. Reduce loading; CL trimpot setting may have to be increased. See Section IV. |
| | 3. Plug-in Horsepower Resistor [®] not correct size. | 3. Install proper size Plug-In Horsepower Resistor [®] |
| | 4. Incorrect wiring. Armature and shunt connections interchanged (shunt motor only). | 4. Correct wiring (armature has lower resistance than field). |

SECTION V. TROUBLESHOOTING GUIDE

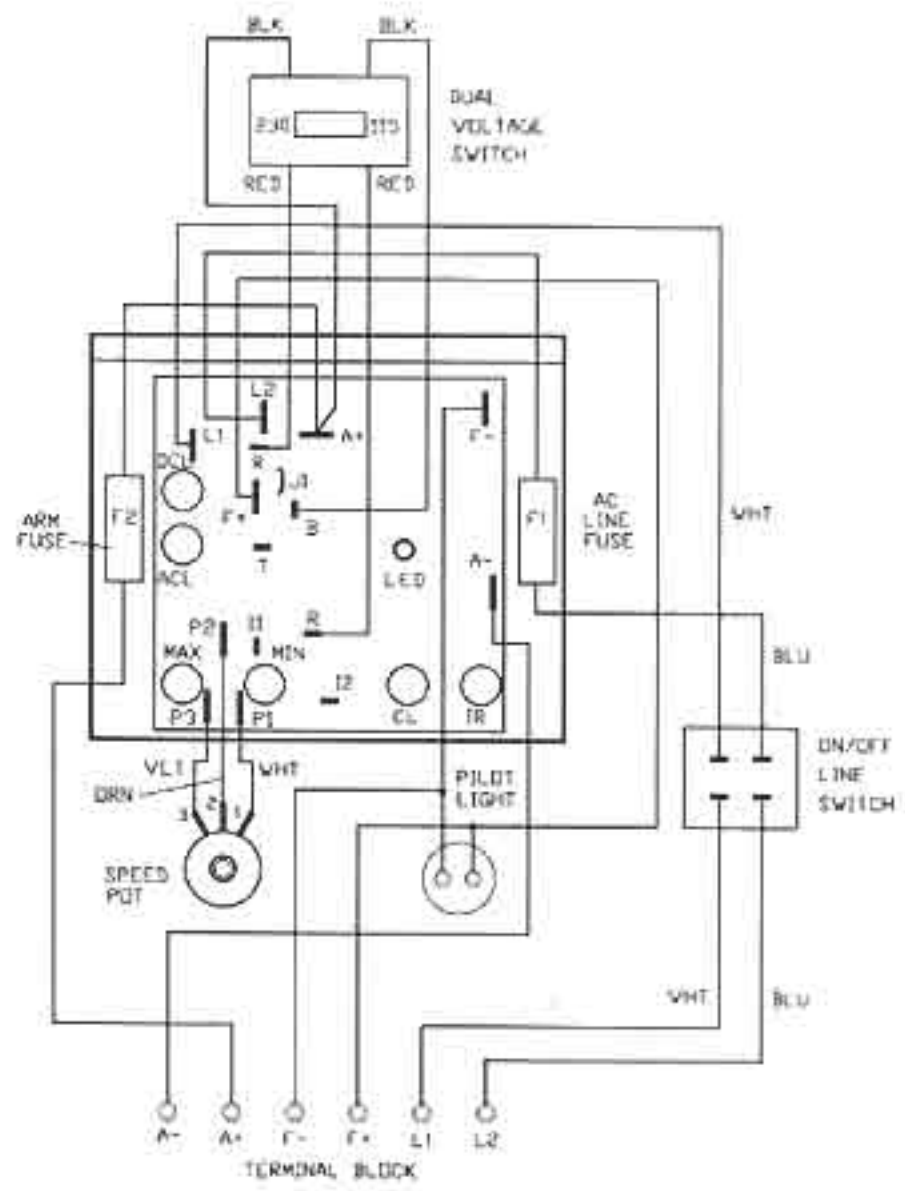
SYMPTOM	POSSIBLE CAUSE	CORRECTIVE ACTION
4. Erratic motor performance.	1. Defective motor, worn brushes, etc. 2. Overload condition. 3. Plug-in Horsepower Resistor* wrong size. 4. IR comp and/or CL trimpots not set properly. 5. Defective speed control module. 6. Dual Voltage Switch set in wrong position.	1. Repair motor. 2. Remove overload. 3. Replace Plug-in Horsepower Resistor* with proper size. 4. Readjust trimpots as per Section IV. 5. Replace module. 6. Recheck line voltage and set Dual Voltage Switch to proper position "115" or "230".
5. Motor continues to run when speed control knob is set to 0.	1. Min. speed trimpot not set to full CCW position. 2. IR comp trimpot set too high.	1. Readjust min. trimpot. 2. Lower IR comp trimpot setting.
6. Motor runs in wrong direction.	1. Armature leads reversed.	1. Reconnect armature leads.

The following portion of the Troubleshooting Guide refers only to controllers that have the FWD-BRK-REV switch option.

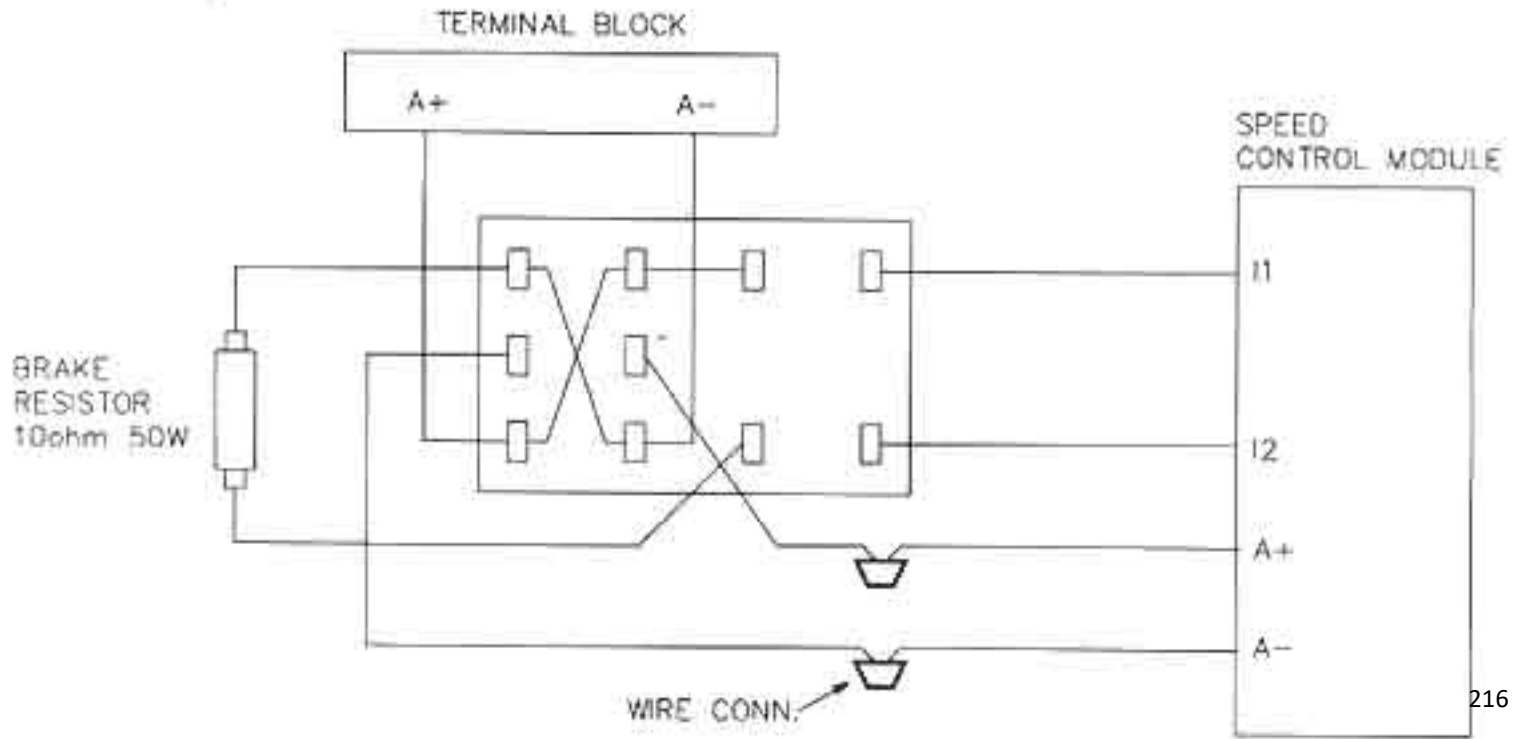
SYMPTOM	POSSIBLE CAUSE	CORRECTIVE ACTION
1. Motor will not run in either forward or reverse direction.	1. Faulty wiring or loose connections to reversing switch. 2. Defective FWD-BRK-REV switch.	1. Correct wiring (see internal wiring diagram). 2. Replace switch assembly.
2. No braking action in brake mode.	1. Faulty wiring or loose connection. 2. Faulty FWD-BRK-REV switch. 3. Defective Brake Resistor.	1. Correct wiring. 2. Replace switch assembly. 3. Replace resistor.

SECTION VI. (A) INTERNAL WIRING DIAGRAMS

1. BASIC MULTI-DRIVE[®]

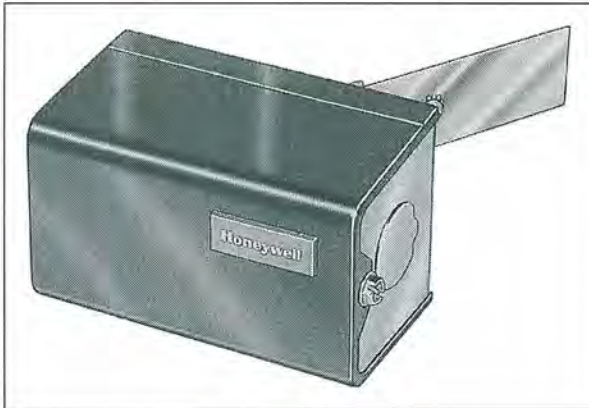


2. FORWARD-BRAKE-REVERSE SWITCH (OPTIONAL)



S437A,B, S637A Sail Switches

PRODUCT DATA



FEATURES

- Micro Switch snap switch is operated by metal sail inserted in an air stream. (S437 switch is spst, S637 switch is spdt.)
- S637 has a set of normally closed contacts which can be used to energize a signal or warming circuit when the velocity drops off.
- Sail can be trimmed to one-half the original size to double the velocity required to close the snap switch contacts.
- Switch differential can be manually adjusted by turning a knurled knob on the snap switch.
- A conduit knockout is located on each end of the case for wiring convenience.

APPLICATION

The S437 and S637 Sail Switches respond to the air velocity in heating or warm air ducts, such as used in farm crop dryers. The switch completes a 24 V or line voltage burner control circuit only when the blower or fan has produced a predetermined air velocity.

SPECIFICATIONS

Mounting Position: Velocity characteristics listed apply when standard size sail is inserted in a horizontal air stream with the sail pivot in a vertical position. Vertical mounting with air movement upward is satisfactory; however, characteristics will change. Device cannot be vertically mounted with downward air movement.

Mounting Means: Case screw-mounts to duct wall with sail inserted through wall into air stream.

Mounting Dimensions: Refer to Fig 1.

Sail Size: Standard - 1 x 3 in. (25 x 76 mm).
Large - 1 1/2 x 4 in. (38 x 102 mm).

Contents

Application	1
Features	1
Specifications	1
Ordering Information	2
Installation	3
Wiring	3
Checkout	3



60-2186-2

MODEL NO.	INCLUDES CASE AND COVER	SWITCHING ACTION ON INCREASING VELOCITY	SWITCHING ACTION ON DECREASING VELOCITY	SWITCH DIFFERENTIAL
S437A	YES	Spst. Normally open contacts close at 1900-2250 fpm (9.7 - 11.4 m/s). Varies directly with differential setting.	Switch de-energizes at 1350 fpm (6.9 m/s). Not adjustable.	Adjustable, 550-900 fpm (2.8 - 4.6 m/s)
S437B	NO			
S637A	YES	Spst. One set of contacts opens, one set closes at 1900-2250 fpm (9.7 - 11.4 m/s). Varies directly with differential setting	One set of contacts opens to de-energize blower, one set closes to energize warming circuit at 1350 fpm (6.9 m/s). Not adjustable.	

Maximum Ambient Temperature: 150° F (66° C).

Insertion Length: Standard - 3 1/2 in. (89 mm).
Large - 4 1/2 in. (114 mm).

Switch Contact Rating (amperes):

	120 Vac	240 Vac
Full Load	8	5.1
Locked Rotor	48	30.6

2 A at 24 Vac.
15 A at 6 Vac.
7.5 A at 12 Vdc.

Cover Finish: Red enamel.

Underwriters Laboratories Inc. Listed:
S437A, S637A - File No. MP2169, Vol. 2 dated 5-11-59; Guide No. MFHX.
S437B - File No. MP2168, Vo. 2 dated 5-11-59; Guide No. MFHX2 (Component Recognized).

Canadian Standards Association Certification: Listed S, File No. LR95329, Class 481302.

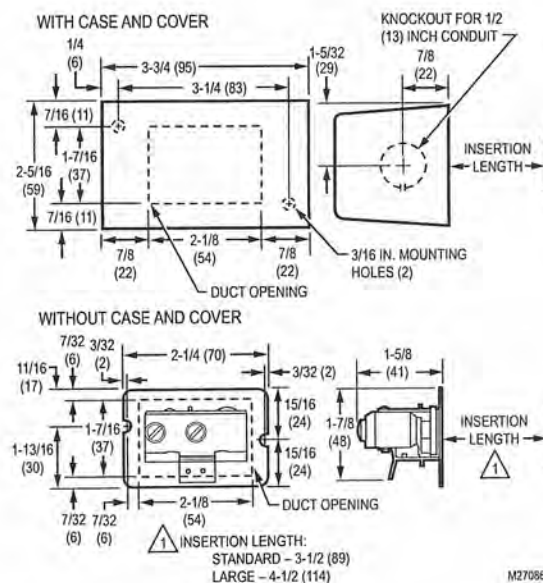


Fig. 1. S437 Dimensions in in. [mm in Brackets].

ORDERING INFORMATION

When purchasing replacement and modernization products from your TRADELINE® wholesaler or distributor, refer to the TRADELINE® Catalog or price sheets for complete ordering number.

If you have additional questions, need further information, or would like to comment on our products or services, please write or phone:

1. Your local Honeywell Automation and Control Products Sales Office (check white pages of your phone directory).
2. Honeywell Customer Care
1885 Douglas Drive North
Minneapolis, Minnesota 55422-4386

In Canada—Honeywell Limited/Honeywell Limitée, 35 Dynamic Drive, Toronto, Ontario M1V 4Z9.
International Sales and Service Offices in all principal cities of the world. Manufacturing in Australia, Canada, Finland, France, Germany, Japan, Mexico, Netherlands, Spain, Taiwan, United Kingdom, U.S.A.

INSTALLATION

When Installing this Product...

1. Read these instructions carefully. Failure to follow them could damage the product or cause a hazardous condition.
2. Check the ratings given in the instructions and on the product to make sure the product is suitable for your application.
3. Installer must be a trained, experienced service technician.
4. After installation is complete, check out product operation as provided in these instructions.



CAUTION

Disconnect power supply before connecting wiring to prevent electrical shock and equipment damage.

Mounting

Plan the location so that the sail will be in the direct path of an unrestricted air stream. A horizontal duct run is best because the sail will then move horizontally. In a vertical duct, the effect of gravity on the linkage changes the operating characteristics somewhat.

1. At the desired location, cut a rectangle hole 1-1/2 x 2 in. See dotted lines in dimension drawing.
2. Note direction of air stream and position chassis as a template to make the two mounting hole locations.
3. Center punch and drill mounting holes. Secure device with sheet metal screws.

WIRING

Disconnect power supply before making wiring connections to avoid possible electrical shock or equipment damage. All wiring must agree with local codes and ordinances.

Wire the sail switch in series with the load to act as an air velocity limit switch.

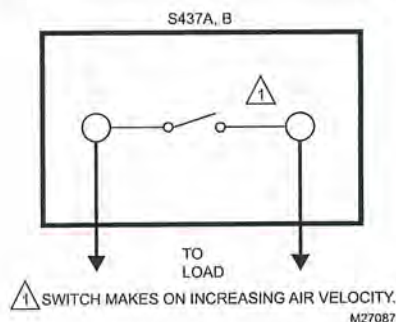


Fig. 2. S437 Schematic and Typical Connections

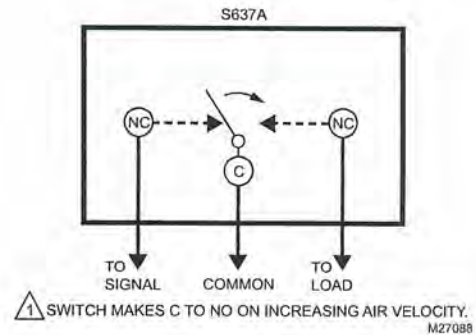


Fig. 3. S637 Schematic and Typical Connections.

Set Differential

The knurled wheel at the base of the switch is marked with the letters A, B, C, D to indicate relative differentials from minimum to maximum. Follow instructions of system manufacturer, if available, or adjust to suit actual operation.

A minimum differential setting (position A) of approximately 550 fpm (2.8 m/s) results in a make velocity of approximately 1900 fpm (9.7 m/s). The break velocity is 1350 fpm (6.9 m/s) for any setting of the differential.

Sail Size

All velocities given above are for a standard size sail. The large sail operates the switch at reduced velocities.

To control at higher velocities, the size of the sail must be reduced in inverse proportion.

Example: 2 x velocity = 1/2 sail size.

CHECKOUT

Operate the system through at least one complete cycle to make certain all equipment is controlled properly.

Automation and Control Solutions

Honeywell International Inc.
1985 Douglas Drive North
Golden Valley, MN 55422
customer.honeywell.com

Honeywell Limited-Honeywell Limitée
35 Dynamic Drive
Toronto, Ontario M1V 4Z9

® U.S. Registered Trademark
© 2007 Honeywell International Inc.
60-2186—2 J.I. Rev. 10-07



Printed in U.S.A. on recycled
paper containing at least 10%
post-consumer paper fibers.

Honeywell

DC Motor Installation – Maintenance Instructions

When this motor is installed according to these instructions, it complies with the IEC Machinery Directive. Electromagnetic Compatibility (EMC) requirements for CE compliance are met when the incoming power is purely sinusoidal. For other power source types, refer to MN1383 "Recommended Practices for Installation for EC Directive 89/336/EEC Relating to EMC". These instructions are intended to complement, not replace, the information in MN605 Installation and Operation manual for "Integral Horsepower DC Motor".

Handling

The weight of the motor and shipping container will vary. Use correct material handling equipment to avoid injury. Use caution when removing the motor from its packaging. Sharp corners may exist on motor shaft, motor key, sheet metal and other surfaces.

Receiving

Inspect the motor for damage before accepting it. The Motor shaft should rotate freely with no rubs. Report any damage immediately to the commercial carrier that delivered your motor.

Safety Notice

Only qualified personnel trained in the safe installation and operation of this equipment should install this motor. When improperly installed or used, rotating equipment can cause serious or fatal injury. Equipment must be installed in accordance with the National Electrical Code (NEC), local codes and NEMA MG2 Safety Standards for Construction and Guide for Selection, Installation and Use of Electric Motors and Generators. Observe the following guidelines:

1. When eyebolts are provided, they must be fully tightened and are intended to lift the motor and its included accessories only.
2. Ground the motor according to NEC and local codes.
3. Provide a permanent guard to prevent accidental contact of body parts or clothing with rotating or moving parts or burns if motor is hot.
4. Shaft key must be secured before starting motor.
5. Do not apply power to the motor until the motor is securely mounted by its mounting holes.
6. This motor must only be connected to the proper line voltage, line frequency and load size.
7. Motors are not to be used for load holding or restraining unless a properly sized brake is installed. If a motor mounted brake is installed, provide proper safeguards for personnel in case of brake failure.
8. Disconnect all power services, stop the motor and allow it to cool before servicing.
9. For single phase motors, discharge the start and/or run capacitors before servicing.
10. Do not by-pass or render inoperative any safety device.
11. DC series wound motors must be protected from sudden loss of load causing overspeed damage. DC shunt wound motors must be protected from loss of field voltage which can result in damage.
12. Mounting bolts should be high tensile steel. Be sure to use a suitable locking device on each bolt (spring washer or thread lock compound).

Guarding

After motor installation is complete, a guard of suitable dimensions must be constructed and installed around the motor/gearmotor. This guard must prevent personnel from coming in contact with any moving parts of the motor or drive assembly but must allow sufficient cooling air to pass over the motor.

If a motor mounted brake is installed, provide proper safeguards for personnel in case of brake failure.

Brush inspection plates and electrical connection cover plates or lids, must be installed before operating the motor.

Motor Enclosure

ODP, Open drip proof motors are intended for use in clean, dry locations with adequate supply of cooling air. These motors should not be used in the presence of flammable or combustible materials. Open motors can emit flame and/or molten metal in the event of insulation failure.

TEFC, totally enclosed motors are intended for use where moisture, dirt and/or corrosive materials are present in indoor and outdoor locations.

Explosion proof motors, as indicated by the Underwriters Laboratories, Inc. label are intended for use in hazardous areas as specified by the NEC.

Mounting

Foot mounted machines should be mounted to a rigid foundation to prevent excessive vibration. Shims may be used if location is uneven.

Flange mounted machines should be properly seated and aligned. Note: If improper rotation direction is detrimental to the load, check rotation direction prior to coupling the load to the motor shaft.

For V-belt drive, mount the sheave pulley close to the motor housing. Allow clearance for end to end movement of the motor shaft. Do not overtighten belts as this may cause premature bearing failure or shaft breakage.

Direct coupled machines should be carefully aligned and the shaft should rotate freely without binding.

Wiring

Connect the motor as shown in the connection diagram. If this motor is installed as part of a motor control drive system, connect and protect the motor according to the control manufacturers diagrams. The wiring, fusing and grounding must comply with the National Electrical Code and local codes. When the motor is connected to the load for proper direction of rotation and started, it should start quickly and run smoothly. If not, stop the motor immediately and determine the cause. Possible causes are: low voltage at the motor, motor connections are not correct or the load is too heavy. Check the motor current after a few minutes of operation and compare the measured current with the nameplate rating.

Adjustment

The neutral is adjustable on some motors.

Noise

For specific sound power or pressure level information, refer to the Acoustic Performance of Standard Baldor TEFC or Super E TEFC motors in the Baldor Mechanical Design Standard MD950. The information is from test results and should be used with the national safety code for noise in the work place.

Vibration

This motor is balanced to NEMA MG1, Part 7 standard.

Lubrication

This is a ball or roller bearing motor. The bearings have been lubricated at the factory. Motors that do not have regrease capability are factory lubricated for the normal life of the bearings.

Lubricant

Baldor motors are regreased, normally with Polyrex EM (Exxon Mobil). If other greases are preferred, check with a local Baldor Service Center for recommendations.

Relubrication Intervals (For motors with regrease capability)

New motors that have been stored for a year or more should be relubricated. Lubrication is also recommended at these intervals:

Table 1 Relubrication Interval

NEMA (IEC) Frame Size	Rated Speed (RPM)		
	3600	1200	900
Up to 210 incl. (132)	5500Hrs.	12000Hrs.	18000Hrs.
Over 210 to 280 incl. (180)	3600Hrs.	9500Hrs.	15000Hrs.
Over 280 to 360 incl. (225)	*2200Hrs.	7400Hrs.	12000Hrs.
Over 360 to 5000 incl. (300)	*2200Hrs.	3500Hrs.	7400Hrs.

* Lubrication interval for 6313 or 6314 bearings that are used in 360 through 5000 frame, 2 pole motors. If roller bearings are used, bearings must be lubricated more frequently, divide the relubrication interval by 2.

Table 2 Service Conditions

Severity of Service	Ambient Temperature Maximum	Atmospheric Contamination	Type of Bearing
Standard	40° C	Clean, Little Corrosion	Deep Groove Ball Bearing
Severe	50° C	Moderate dirt, Corrosion	Ball Thrust, Roller
Extreme	>50° C* or Class H Insulation	Severe dirt, Abrasive dust, Corrosion	All Bearings
Low Temperature	<-30° C**		

* Special high temperature grease is recommended.

** Special low temperature grease is recommended.

Table 3 Lubrication Interval Multiplier

Severity of Service	Multiplier
Standard	1.0
Severe	0.5
Extreme	0.1
Low Temperature	1.0

Table 4 Amount of Grease to Add

Frame Size NEMA (IEC)	Bearing Description (Largest bearing in each frame size)			
	Bearing	OD D mm	Width B mm	Weight of grease to add ounce (gram)
Up to 210 incl. (132)	6307	80	21	0.30 (8.4)
Over 210 to 280 incl. (180)	6311	120	29	0.61 (17.4)
Over 280 to 360 incl. (225)	6313	140	33	0.81 (23.1)
Over 360 to 500 incl.(300)	NU322	240	50	2.12 (60.0)

Weight in grams = 0.005 DB

Procedure

Clean the grease fitting (or area around grease hole, if equipped with slotted grease screws). If motor has a purge plug, remove it. Motors can be regreased while stopped (at less than 80°C) or running.

Apply grease gun to fitting (or grease hole). Too much grease or injecting grease too quickly can cause premature bearing failure. Slowly apply the recommended amount of grease, taking 1 minute or so to apply. Operate motor for 20 minutes, then reinstall purge plug if previously removed.

Caution: Keep grease clean. Mixing dissimilar grease is not recommended.

Sample Relubrication Determination

This sample determination is based on a NEMA 286T (IEC 180) motor operating at 1750 RPM driving an exhaust fan in an ambient of 43°C atmosphere that is moderately corrosive.

1. Table 1 list 9500 hours for standard conditions.
2. Table 2 classifies severity of service as "Severe".
3. Table 3 lists a multiplier value of 0.5 for Severe conditions.
4. Table 4 shows that 1.2 in³ or 3.9 teaspoon of grease is to be added.

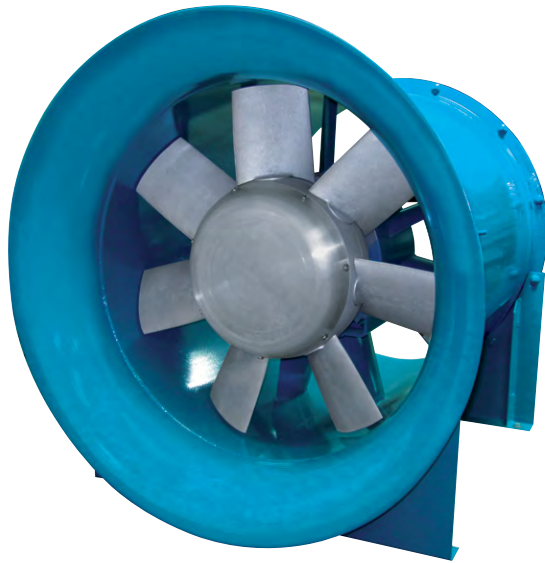
Note: Smaller bearings in size category may require reduced amounts of grease.

Brushes

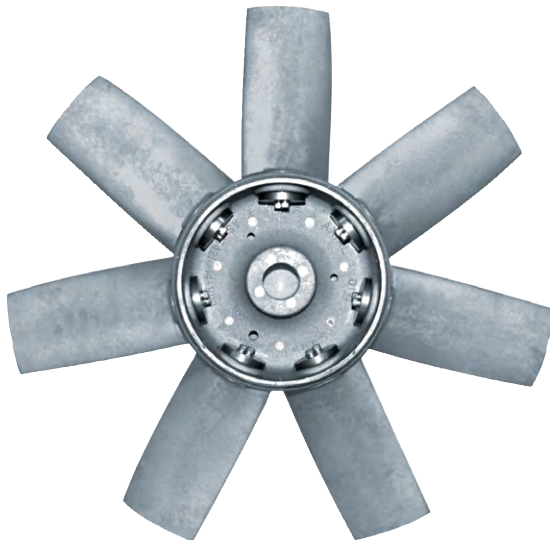
Periodically the brushes should be inspected and all brush dust blown out of the motor. If a brush is worn 1/2" (from length specified in renewal parts data), replace the brushes. If the commutator is worn or rough, the armature should be removed. The commutator should be turned in a lathe, the mica recut and the commutator polished. Reassemble and seat the new brushes using a brush seating stone. Be sure the rocker arm is set on the neutral mark.



P.O. Box 2400
Fort Smith, AR 72902-2400 U.S.A.
(479) 646-4711



TCVX Arr. 4



TCVX AXIFAN® Wheel

Model TCVX

The heart of the TCVX AXIFAN® lies in its wheel. The manually adjustable blades allow for custom-set blade positions without loosening or removal of any hardware. The cast aluminum rotor has been painstakingly developed to provide the highest efficiency and lowest noise possible. The patented method (U.S. Patent #4,934,904) for blade adjustment allows for quick and easy performance change without the necessity of special tools. Cast of high strength aluminum alloy, the TCVX AXIFAN® wheel provides efficiency and reliability for your air movement requirements.

Sizes & Performance

- Sizes 18" to 84" wheel diameters
- Hub available in 14", 18", 21", 27" and 30" diameters for various hub-to-tip ratios
- Airflow to 268,000 CFM
- Static pressures to 10" w.g.

Construction Features

- Cast aluminum adjustable propellers with cast aluminum hubs.
- Adjustable blade angles from 30 to 50 degrees.
- One-piece, heavy-gauge, continuously welded steel housings.
- Heavy-gauge steel motor and bearing supports provide maximum strength with minimal resistance to airflow.
- Airflow straightening guide vanes aerodynamically placed within the housing to minimize turbulence and aid in recovering rotative energy imparted to the air.
- Flanged housings with pre-punched mounting holes as standard.
- Dynamically balanced propellers for quiet, vibration free operation.
- Extended lube lines are standard on Arrangement 9 fans and Arrangement 4 where available.
- Externally mounted conduit box standard on Arrangement 4 fans.



Twin City Fan & Blower certifies that the models shown herein are licensed to bear the AMCA Seal for Sound and Air. The ratings shown are based on tests and procedures performed in accordance with AMCA Publication 211 and AMCA Publication 311 and comply with the AMCA Certified Ratings Program.

Refer to Catalog AX301 for sound power levels.



For complete product performance, drawings and available accessories, download our Fan Selector program at tcf.com.



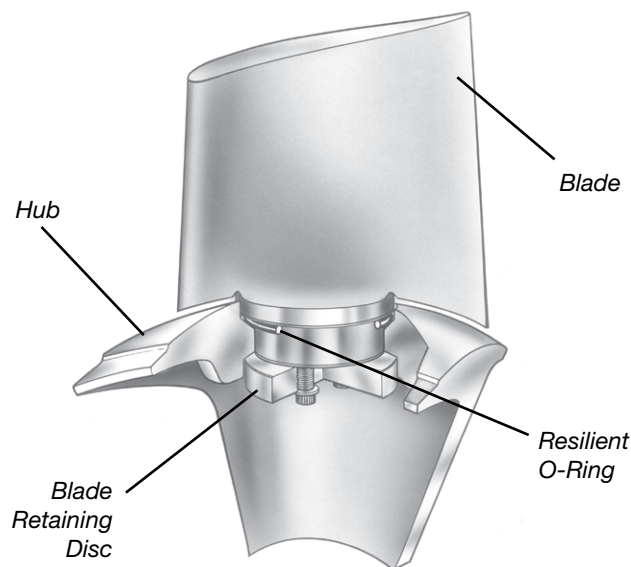
Model TCVX is available with the UL/cUL 705 listing for electrical, File No. E158680.

How It Works

The patented TCVX AXIFAN® blade design provides the customer with the ability to modify the blade angle in order to vary the performance without loosening or removing any hardware.

The resilient O-ring acts like a spring (producing friction between hub and blades so the blade does not turn during operation), to preload the blade retaining disc and hub arrangement, while providing a centering force. It insures a proper fit of blade and hub. The O-ring also minimizes vibration between the blades and hub, reducing the potential for material fatigue.

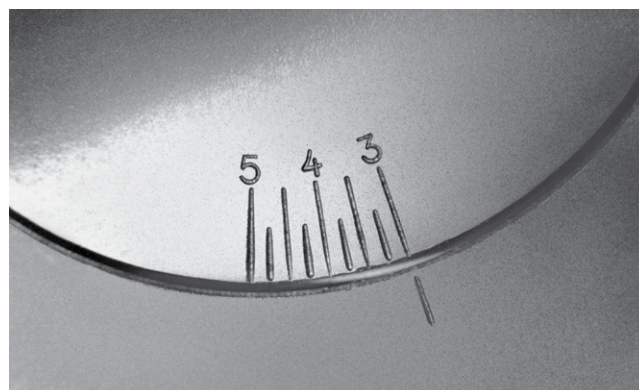
The angle of the TCVX AXIFAN® blades can be adjusted without tools. With the fan wheel in motion, the friction between the blade retaining disc and the hub itself is increased due to centrifugal force which holds the blade firm and prevents any undesired change in blade angle.



Blade Angles

The blade angle for TCVX AXIFAN® fans ranges from 30° to 50° and is indexed in the area where blade and hub meet. The ratings displayed in this catalog indicate the specific blade angle required, and the blade should be set accordingly.

The fan name tag, supplied on the housing exterior, indicates the CFM, static pressure, and corresponding blade angle setting for the specified flow rate and pressure.



Blade set at 30° angle

How To Adjust

Blade angle adjustment is a quick and simple procedure and can be accomplished through the fan inlet when convenient. When access to the wheel is not available from the fan inlet, the blades can be adjusted through the wheel area access door by hand or by using our TCVX blade adjusting tool. The wheel area access door and adjusting tool are provided with our TCVX AXIFAN® units as standard.

When adjusting the blade angle, care must be taken not to overload the fan motor. Refer to the TCVX fan curves or consult your Twin City Fan & Blower representative to assure the fan is properly applied. Further care must be taken to be sure that all fan blades are adjusted to the same blade angle, thus insuring proper airflow characteristics and balance.



Blade angle adjustment tool



MC-5000
MAY 10, 2017



FIREYE MODULAR MicroM FLAME SAFEGUARD CONTROLS



APPROVED



WARNING: Selection of this control for a particular application should be made by a competent professional, licensed by a state or other government agency. Inappropriate application of this product could result in an unsafe condition hazardous to life and property.

DESCRIPTION

The Fireeye MicroM Series Flame Safeguard Control is a compact, microprocessor based, modular burner management system designed to provide automatic ignition and continuous flame monitoring for commercial sizes of heating and process equipment firing any type of fuel.

The MicroM is designed to be backward compatible with existing TFM, UVM and M-Series II controls. The MicroM MEC120 and MEC230 chassis with the appropriate MEP100, MEP200 and MEP500 series programmers provide operation similar to its predecessors and is usually directly interchangeable. The MEC320 and MEC480 chassis with the appropriate MEP300, MEP400 and MEP600 series programmers provide additional enhancements such as early spark termination, pilot proving, and interrupted pilot.

The advantages of the MicroM are zero dependence on discrete components previously used for timing functions. The MicroM, through the use of micro-controller technology, incorporates smart diagnostic LED's, smart reset function for multi-burner applications, optional alpha-numeric display output (ED510), and serial communications via a Modbus or E500 Communication Interface. The MicroM system also provides additional amplifier selections. Along with the standard UV and Flame Rod amplifiers are UV self-check, Infrared, Cadmium Sulfide and a dry contact amplifier for use with the Fireeye Phoenix scanner. All amplifiers are available with flame failure response times of 0.8 seconds or 3 seconds nominal (4 second maximum) and each provide a set of test jacks with a uniform range of 0-10 VDC for the measurement of flame signal intensity.

A complete MicroM system includes the appropriate flame detector, plug-in amplifier and programmer modules which connect into a standard chassis and wiring base. Interchangeable programmer and amplifier modules allow for complete versatility in selection of control function, timing and flame scanning means. Functions such as relight, recycle, non-recycle, two stage capability, non-recycle air flow, proof of air flow open at start, purge timing, early spark termination, pilot proving and pilot cutoff are determined by the appropriate programmer module. Type of flame scanner (UV, Repetitive UV Self-Check, Flame Rod, IR or Cadmium Sulfide or dry contact) and the flame failure response time (FFRT) are determined by the amplifier module. Optional plug-in daughter boards provide additional features such as remote reset, alpha-numeric display and serial communications.

The MicroM programmers are micro-controller based modules that control the sequence of operation and also interface with plug-in amplifiers, meter boards, display drivers and external communication devices. The programmers are available in an assortment of configurations necessary to resolve the application requirement. Current families of programmers for use with the MEC120 and



MEC230 type chassis include the MEP100, MEP 200 and MEP500 series. Programmers for use with the MEC320 and MEC480 type chassis include the MEP300, MEP400 and MEP600 series.

Some programmer modules are equipped with a series of dipswitches to select Purge Timing, Pilot Trial for Ignition (PTFI) timing, Proof of Air flow open at start, Post Purge, Recycle and Non-Recycle operation. LED indicators on the programmer modules indicate the current operating status of the control and during a lockout condition displays the fault as a coded sequence, simplifying the troubleshooting of a shutdown.

In the event of pilot ignition failure, or following a safety shutdown, the control locks out, activating an alarm circuit and displays the cause of lockout on the integrated LED's and on the optional ED510 display. Unless otherwise specified, manual reset is required. Remote reset is available on the MEC120R, MEC120RC, MEC320RD, MEC230RC, MEC320R, MEC320RC and MEC320RD chassis. A detailed description of the various programmer, amplifier and chassis modules is found later in this document. A "run-check" switch, provided to assist in testing size, position and stabilization of the pilot, is provided on some specific models and all MEP500 and MEP600 series programmers.

Modular MicroM controls incorporate a safety checking circuit that is operative on each start. If flame (real or simulated) is detected prior to a start or during purge, the fuel valves will not be energized and the unit will lock out.

The modular MicroM controls use the same wiring base as the Fireeye UVM, TFM and M- Series II controls and are designed to be interchangeable with most models with little or no rewiring. See INSTALLATION OF CONTROL, SCANNERS AND FLAME DETECTORS (page 8 and 47) for temperature and wiring requirements.



NOTE: The individual MicroM modules, i.e. MEC chassis, MEP programmers and amplifiers are not interchangeable with M-Series II modules, i.e. MC chassis, MP programmers and amplifiers.

SPECIFICATIONS

Supply: 120 VAC (min. 102, max. 132) 50/60 Hz. (MEC1XX, MEC3XX)
230 VAC (min. 196, max. 253) 50/60 Hz. (MEC2XX, MEC4XX)

Power Consumption: 12 VA (Operating)

Shipping Weight (Approx): 3 lbs (1.4 kg)

Operating Temperature: -40°F (-40°C) to 140°F (60°C)

Table 1:

AMBIENT TEMPERATURE LIMITS

	MAXIMUM		MINIMUM	
	°F	°C	°F	°C
Control	140°F	60°C	- 40°F	- 40°C
Scanner UV1A, UV2, UV8A, 45UV3, UV90	200°F	93°C	- 40°F	- 40°C
45UV5-1007, 45UV5-1009; 55UV5-1007, -1009	200°F	93°C	- 40°F	- 40°C
Photocell 45CM1 (OBSOLETE)	165°F	74°C	- 40°F	- 40°C
Flame Rod (Tip 2460 F)	1500°F	816°C	- 40°F	- 40°C
48PT2	140°F	60°C	-40°F	-40°C
CSIA5	140°F	60°C	-40°F	-40°C



Table 2: LOAD RATINGS: All Ratings are 120V, 60 Hz

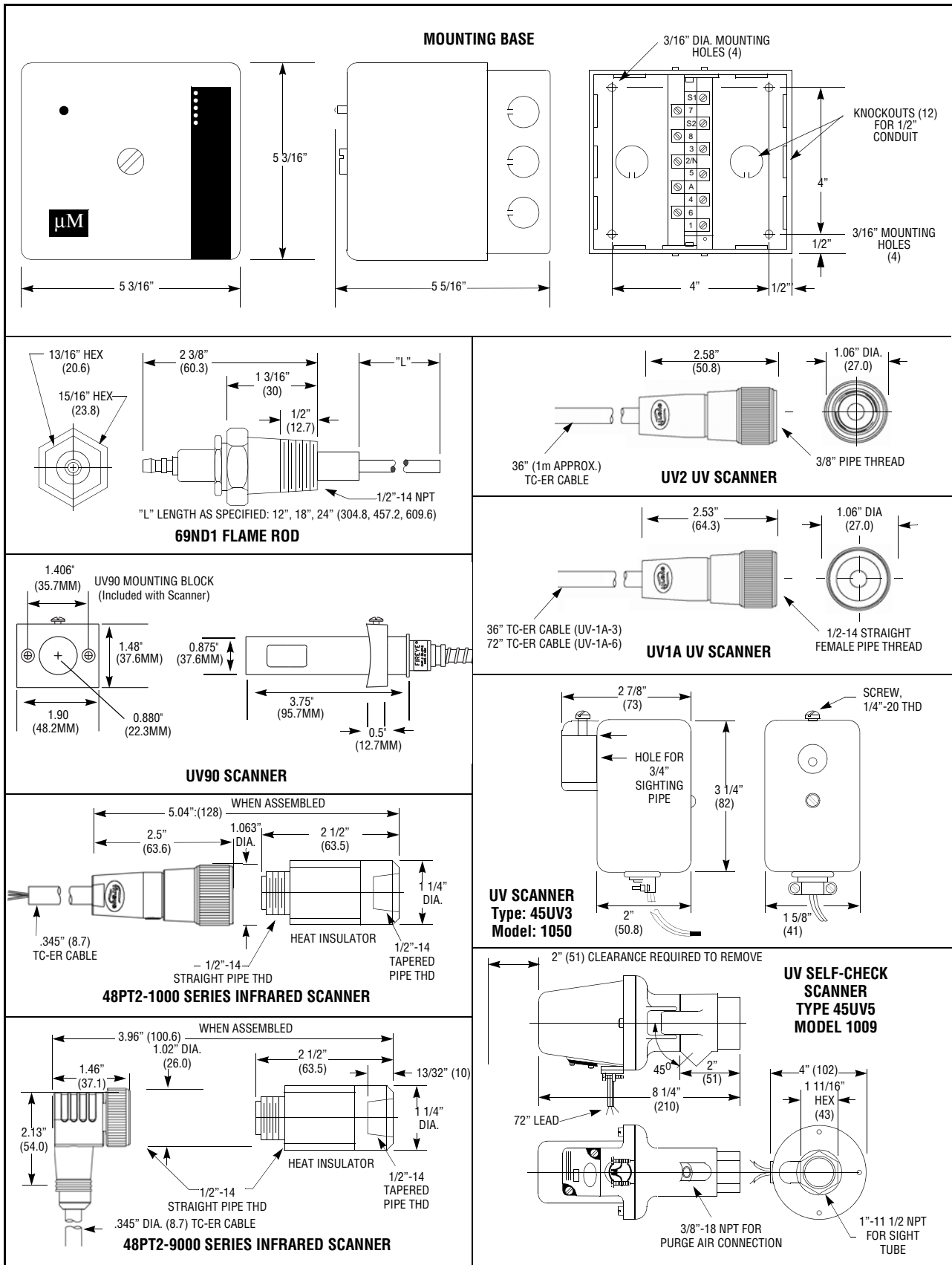
Fireye Terminal	Typical Load	Maximum Rating @120V 60 Hz
3 or 4 Individual or combined	Pilot valve(s) Solenoid valve Ignition Transformer	125 VA pilot duty (solenoid valve) plus 250 VA (Transformer)
5	Main Fuel Valve(s)	125 VA pilot duty (solenoid) or 25 VA pilot duty (solenoid) and 400 VA (opening) motorized, 250 VA hold
8	Motor or contactor	Terminal 8 rated to energize and de-energize 9.8 FLA, 58.8 LRA on safety lockout.
A	Alarm	125 VA, pilot duty
Minimum load requirement = 100mA		

Table 3: ALTERNATIVE LOAD RATINGS:

COMBINATION NUMBER	PILOT FUEL TERMINAL 3	IGNITION TERMINAL 4	MAIN VALVE TERMINAL 5
1	C	NO LOAD	E
2	B	NO LOAD	E
3	NO LOAD	NO LOAD	E
4	E	A	E
5	NO LOAD	A	E
6	D	A	E
7	D	A	D
8	NO LOAD	A	D

Table 4: COMPOSITION OF EACH COMBINATION

A	B	C	D	E
4.5A Ignition	50 VA Pilot Duty plus 4.5A ignition	180 VA Ignition plus motor val- ues with: 600VA inrush., 360 VA open, 250 VA hold	2A Pilot Duty	65 VA Pilot Duty plus Motor valves with: 3850 VA in rush., 700 VA open, 250 VA hold



All dimensions in inches (millimeters in parentheses).



WARNING: This equipment is a Class B digital apparatus which complies with the Radio Interference Regulations, CRC c.1374.



CAUTION: Published load ratings assume that no control be required to handle inrush current more often than once in 15 seconds. The use of control switches, solenoids, relays, etc. which chatter will lead to premature failure. It is important to run through a test operation (with fuel shut off) following the tripping of a circuit breaker, a blown fuse, or any instance of chattering of any external current consuming devices.

APPROVALS

Underwriters Laboratories Inc.:

MCCZ File MP 1537

Controls, Primary Safety - Listed

MCCZ2 File MP1537

Controls, Primary Safety - Component

MCCZ7 File MP1537

Controls, Primary Safety Certified for Canada

MCCZ8 file MP1537

Controls, Primary Safety Certified for Canada - Component

Factory Mutual System (FM) Approved

UL approval does not apply to 230VAC operations.



WARNING: Selection of programmer and amplifier type for a particular application should be made by a competent professional, such as a Boiler/Burner technician licensed by a state or government agency, engineering personnel of the burner, boiler or furnace manufacturer (OEM) or in the performance of duties based on the information from the OEM.



WARNING: This equipment generates and can radiate radio frequency energy, and if not installed and used in accordance with the instruction manual may cause interference to radio communications. It has been tested and found to comply with the limits for a Class A computing device pursuant to Subpart J of part 15 of FCC Rules, which are designed to provide reasonable protection against such interference when operated in a commercial environment. Operation of this equipment in a residential area is likely to cause interference in which case the user, at his own expense, will be equipped to take whatever measures that may be required to correct the problem.



In order for the MicroM to gather and retain statistical and historic data such as burner hours, burner cycles, system hours and average flame signal, it is necessary that Terminal 1 be powered at all times. Removing power from Terminal 1 at the end of the firing cycle causes all data gathered during the previous 16 hours or last 9 cycles to be lost. For conversions or upgrades from older TFM or M-Series II controls that use MART1 amplifiers, it is necessary that Terminal 1 be directly powered with 120 VAC.



ORDERING INFORMATION

MicroM Chassis Types (For use with MEP1XX, MEP2XX, and MEP5XX, includes dust cover)	
MEC120	120 VAC input with standard plug-in board.
MEC120R	120 VAC input with remote reset capability.
MEC120D	120 VAC input with alpha-numeric display interface to ED510.
MEC120RD	120 VAC input with alpha-numeric display interface to ED510 and remote reset capability.
MEC120C	120 VAC input with interface to E500 Communication Interface and Modbus capability.
MEC120RC	120 VAC input with remote reset capability, alpha-numeric display interface to ED510, interface to E500 Communication Interface and Modbus capability.
MEC230	230 VAC input with standard plug-in board.
MEC230RC	230 VAC input with remote reset capability, alpha-numeric display interface to ED510, and Modbus capability.

MicroM Chassis Types (For use with MEP3XX, MEP4XX, and MEP6XX, includes dust cover)	
MEC320	120 VAC input with standard plug-in board.
MEC320R	120 VAC input with remote reset capability.
MEC320D	120 VAC input with alpha-numeric display interface to ED510.
MEC320RD	120 VAC input with alpha-numeric display interface to ED510 and remote reset capability.
MEC320C	120 VAC input with interface to E500 Communication Interface and Modbus capability.
MEC320RC	120 VAC input with remote reset capability, alpha-numeric display interface to ED510, interface to E500 Communication Interface and Modbus capability.
MEC320TS	120 VAC input with display interface to ED510, Modbus interface and auxiliary relay output with dry contact for controller interface (MED8).
MEC480	230 VAC input with standard plug-in board.
MEC480RC	230 VAC input with remote reset capability, alpha-numeric display interface to ED510, and Modbus capability.

MicroM Programmer Models (For use with MEC120 and MEC 230 Chassis)	
MEP100	Relight operation, 10 sec. PTFI.
MEP101	Relight operation, allow flame signal until 60 seconds after interlock closed.
MEP102	Non-recycle on flame fail, 5 second PTFI.
MEP103	Fixed 10 second SISP*, 10 second MTFI, re-try once on igniter failure, fixed 30 second post purge.
MEP104	Non-recycle on flame fail, 10 second PTFI.
MEP105	Non-recycle on flame fail, lockout on air-flow open with flame present, 10 second PTFI.
MEP106	Same as MEP100. 12 second pre-purge, added reset from lockout via line voltage.
MEP107	Same as MEP100. Force 5 minute purge delay after main flame fail.
MEP108	Same as MEP100 with 0 second purge, 15 second PTFI, non-recycle on flame fail. Not FM approved.
MEP109	Immediate ignition and pilot, 10 second fixed PTFI, 10 second MTFI, intermittent pilot, non-recycle on flame fail.
MEP100P	Relight operation, 10 sec PTFI, fixed 15 second post purge.
MEP130	Same as MEP100, 30 second PTFI. Not FM approved.
MEP230	Selectable purge timing (7, 30, 60, 90 sec.) 10 sec PTFI timing, recycle/non-recycle, post purge, prove air open at start.
MEP230H	Same as MEP230 with 8 second pilot stabilization.
MEP235	Same as MEP230 with lockout on air flow open 10 seconds after the start of a cycle, selectable recycle/nonrecycle lockout on air flow open after flame is proven and dedicated lockout after loss of flame.
MEP236	Same as MEP230 with additional 6 second igniter on time with main fuel. To be used with intermittent pilot only.
MEP237	Same as MEP230 with fixed PTFI timing and check/run switch. Used with MEDC2 amplifier to provide operation with 85 Series (Phoenix) and 95 Series (InSight) scanners.
MEP238	Same as MEP230. Ignition de-energized 3 seconds after pilot flame detected. Provides 8 second pilot stabilization period.
MEP290	Same as MEP230 except selectable post purge is 0 or 90 seconds.
MEP560	Same as MEP230H, 10 second main trial for ignition, run-check switch.
MEP561	Same as MEP560 without 8 second pilot stabilization. Selectable purge time of 7s, 10s, 15s, 30s.
MEP562	Same as MEP560, lockout on loss of air flow, non-recycle operation only.
MEP564	Same as MEP560. Selectable purge time of 7s, 30s, 60s, 240s.
MEP536	Same as MEP230, 10 second main trial for ignition, run-check switch, will not lockout on air flow open during purge.
MEP537	Same as MEP536 except provides one recycle on main flame failure.

*Spark Igniter Sensing Period



MicroM Programmer Models (For use with MEC320 and MEC 480 Chassis)	
MEP300	Relight operation, 10 sec. fixed PTFI, 5 sec. pilot proving period, 5 second MTFI. lockout on flame fail during PTFI, pilot proving and MTFI. Recycle on air flow open. No post purge. Reset on line voltage.
MEP304	Non-recycle on flame fail, 5 sec. purge, 10 sec. fixed PTFI, 5 sec. pilot proving, 10 sec. MTFI, interrupted pilot, early spark termination.
MEP335	Non-recycle on flame fail, 30 second purge, 35 second hot surface ignition on terminal 4, 3 second PTFI on terminal 3, 5 second pilot proving period, intermittent pilot, 15 second post purge. Manual reset only.
MEP397	Recycle on main flame fail, 15 sec. purge, 7 second fixed PTFI, 5 sec. pilot proving 5 sec. MTFI, early spark termination and interrupted pilot. Recycle on air flow failure. No post purge, run/check switch. Reset on line voltage.
MEP437	Recycle once on main flame failure, selectable 5 or 10 sec. fixed PTFI, selectable interrupted or intermittent pilot, 5 sec. MTFI, selectable purge time to 240 seconds, main valve proof of closure, 15 sec. post purge. Reset on line voltage.
MEP696	Provides 30 sec. pre-purge, lockout on airflow after 10 sec., 10 sec. PTFI, 5 sec. pilot proving, early spark termination, 5 sec. MTFI, interrupted pilot, selectable recycle/non-recycle on flame fail, 60 sec. post purge, selectable baud rate for communications, output for external controller operation.
MEP697	Provides dip-switch selectable pre-purge, selectable air flow proving at startup, selectable post purge, selectable 5/10 sec. PTFI, 5 sec. pilot proving early spark termination, 5 sec. MTFI, interrupted pilot, selectable recycle/non recycle on flame fail, output for external controller operation.

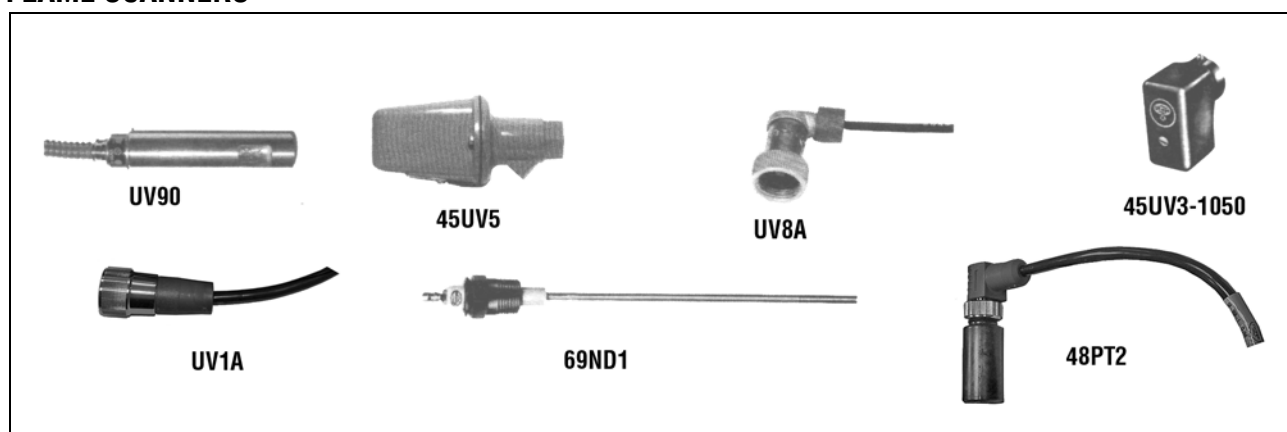
MicroM Amplifier Models:	
MEUV1	UV amplifier, 0.8 second FFRT, uses UV1A, UV2, UV8A, UV90 and 45UV3-1050 scanners.
MEUV4	UV amplifier, 3 second FFRT, uses UV1A, UV2, UV8A, UV90 and 45UV3-1050 scanners.
MEUVS1	UV Self-Check amplifier, 0.8 second FFRT, uses 45UV5-1009 scanner.
MEUVS4	UV Self-Check amplifier, 3 second FFRT, uses 45UV5-1009 scanner.
MERT1	Flame Rod amplifier, 0.8 second FFRT, uses 69ND1.
MERT4	Flame Rod amplifier, 3 second FFRT, uses 69ND1.
MEIR1	Infrared amplifier, 0.8 second FFRT, uses 48PT2 scanner.
MEIR4	Infrared amplifier, 3 second FFRT, uses 48PT2 scanner.
MECD1	Cadmium sulfide amplifier, 0.8 second FFRT, uses CS1A5 scanner.
MECD4	Cadmium sulfide amplifier, 3 second FFRT, uses CS1A5 scanner.
MEDC2	Contact input amplifier for use with MEP237 to provide operation with 85 Series (Phoenix) and 95 Series (InSight) scanners

Optional Plug-In Board Modules:	
MED1	Standard local reset switch.
MED2	Same as MED1 with display output.
MED3	Same as MED1 with remote reset.
MED4	Same as MED1 with display output and remote reset.
MED5	Same as MED1 with display output and RS485 communications.
MED6	Same as MED1 with display output, remote reset and RS485 communications.
MED7	Same as MED1 with RS485 communications.
MED8	Same as MED1 with display output, RS485 Modbus interface and auxiliary relay output with normally closed dry contact for controller interface.
MED9	Same as MED1 with display output, RS485 Modbus interface and auxiliary relay output with normally open dry contact for controller interface.

Wiring Base (Common for all Controls):	
61-3060	Closed wiring base, surface mounting.
61-5042	Open wiring base, cabinet mounting.

Accessories	
ED510	Two line by 16 character, back lit LCD display with keypad.
ED580-2, -4, -8	Remote display cable with RJ45 connection in 2, 4 or 8 foot long lengths. To be used with the appropriate daughter board.
EC485	RS232 to RS485 converter with power supply and RJ12 jack.
UC485	USB to RS485 converter. Supplied with USB cable.
SMDK-1004	Serviceman's display kit used for diagnosing MicroM system. Consists of ED510 equipped with back plate, MED daughter board and ED580-4.
129-145-1, -2, -3	ED510 remote display mounting kit with 4', 8' or 2' cable respectively. Provides NEMA 4 protection.
IT1000	Monitoring device using cellular networks. Provides various reporting methods

FLAME SCANNERS



CAUTION: The UV1A, UV2, UV8A, UV90 and 45UV3 ultra-violet flame scanners and associated amplifier modules are non self-checking UV systems and should be applied only to burners that cycle often (e.g.: a minimum of once per 12 hours) in order for the safety checking circuit to be exercised. If component checking is required during burner operation for constantly fired burners, utilize the self-checking ultra-violet flame scanners (45UV5) with associated amplifier module (MEUVS1, MEUVS4) or the infrared flame scanner (48PT2) with associated AutoCheck amplifier (MEIR1, MEIR4).

For a complete system, choose one of each of the following:

- Chassis
- Flame Detector
- Programmer Module
- Wiring Base
- Amplifier Module



WARNING: Installer must be trained and qualified. Follow the burner manufacturer's instructions, if supplied. Otherwise, proceed as follows:

INSTALLATION OF CONTROL, SCANNERS AND FLAME DETECTORS

Wiring Base

Mount the wiring base on the burner or on a panel. The location should be free from excessive vibration and within the specified ambient temperature rating. The base may be mounted in any angular position.

All wiring should comply with applicable electrical codes, regulations and local ordinances. Use moisture resistant wire suitable for at least 90 degrees C. Good electrical wiring practice should be followed to ensure an adequate ground system. Refer to Fireye Service Note SN-100 separately and General Grounding Rules later in this document for grounding methods.

A good ground system should be provided to minimize the effects of AC quality problems. A properly designed ground system meeting all the safety requirements will ensure that any AC voltage quality problems, such as spikes, surges and impulses have a low impedance path to ground. A low impedance path to ground is required to ensure that large currents involved with any surge voltages will follow the desired path in preference to alternative paths, where extensive damage may occur to equipment.

Circuit recommendations are found on pages 38 through 43. Consult the factory for assistance with non-standard applications.



WARNING: Controls require safety limits utilizing isolated mechanical contacts. Electronic limit switches may cause erratic operation and should be avoided.



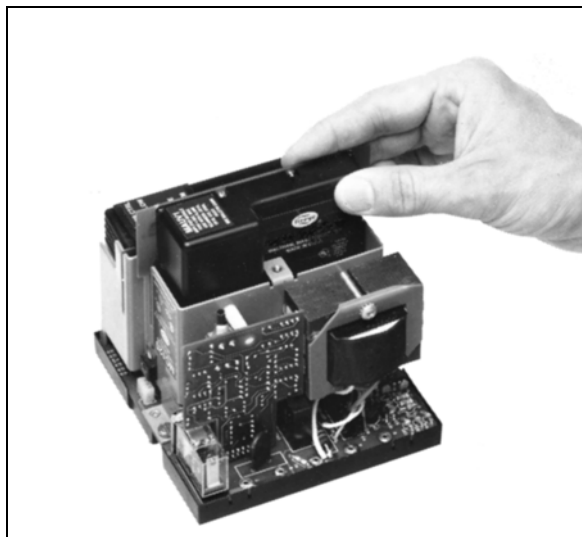
Care must be taken to NOT route the high energy ignition wire in close proximity to the flame sensor wiring, particularly when using MERT amplifier.

INSTALLING THE PROGRAMMER AND AMPLIFIER MODULES

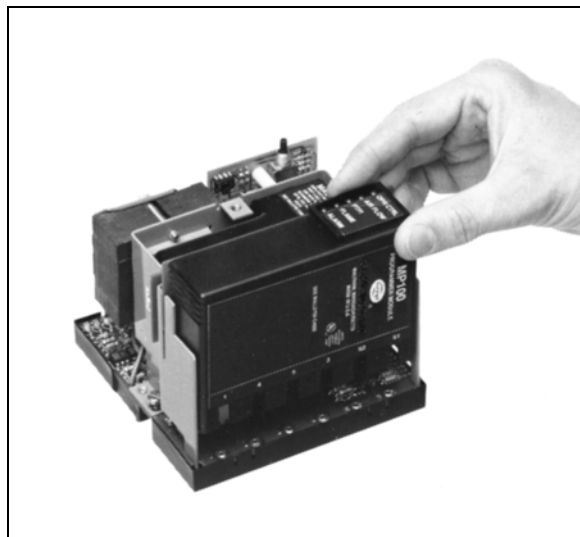


WARNING: Remove power from the control before proceeding.

FIGURE 1.



AMPLIFIER



PROGRAMMER

Select the appropriate programmer and amplifier modules for your application. Remove the dust cover from the chassis. Insert the amplifier module into the slot in the corner of the chassis and gently push the module into position. Insert the programmer module into the slot at the right side of the chassis and gently push the module into position.

NOTE: Refer to programmer dipswitch settings on page 11 for the proper setting of the dipswitches for those programmers with this feature.



WARNING: Turn off the power when installing or removing the control.

Replaceable Fuse

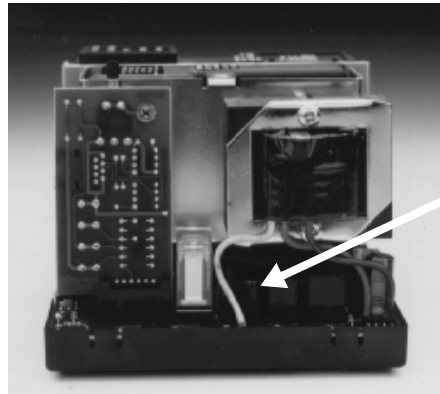
The chassis modules are designed with a field replaceable fuse. The fuse is located on the printed circuit board below the transformer. In the event the fuse becomes OPEN, the Operating Control, PTFI, and Flame LED's will light. However, KL or KF (Wiring Arrangements section on pages 33 through 38) will not be energized and the control will lock out and indicate Lockout, Check Blown Fuse. The fuse will blow as a result of an overload condition on Terminals 3, 4, or 5. To replace the fuse, remove power from the system and using a small screwdriver or similar tool, install a Fireye replacement fuse (P/N 23-197).

FOR MEC230, ORDER FIREYE REPLACEMENT FUSE P/N 23-198 .



WARNING: Disconnect power before servicing.

FIGURE 2.



Replaceable
Fuse Location

PROGRAMMER DIPSWITCH SETTINGS

NOTE: The dipswitch settings become permanently stored within the programmer's eeprom memory after 8 hours of continuous electrical operation.

The first 8 hours of continuous operation is determined from the value of system hours being accumulated by the MicroM. System hours are stored to memory (eeprom) automatically every 1,000 minutes or at the occurrence of a lockout. Therefore, any lockout that occurs during the first 8 hours will cause the system hour value to become the time when the last lockout occurred. If power is removed and restored, the continuous 8 hours feature will be reduced by the time when the lockout occurred.

This allows sufficient opportunity to make the appropriate selection, test and checkout the system. Once stored, the settings cannot be altered.

The MEP200 and MEP500 series programmers have a series of 6 dipswitches (see Figure 3) which allow the user to program the purge timing, trial for ignition timing, enable post purge, enable proof of air flow open at start and select recycle/non-recycle operation.

MicroM Programmer Dip Switch Configuration

(see bulletin MC-3200 for MEP696 settings)

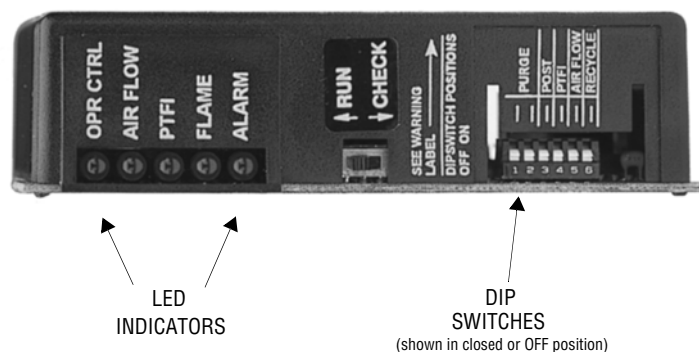
SWITCH						FUNCTION			NOTES
6	5	4	3	2	1	STD	MEP561	MEP564	
				C	C	7	7	7	PURGE TIME SECONDS
				C	O	30	10	30	
				O	C	60	15	60	
				O	O	90	30	240	
			C			DISABLED		POST* PURGE	* The MEP290 Programmer module has selectable post purge of 90 seconds.
			O			15 SECONDS			
		C				5	PTFI TIME		
		O				10			
	C					DISABLE	PROVE AIR FLOW OPEN AT START		
	O					ENABLE			
C						RECYCLE			
O						NON-RECYCLE			

Note: C refers to switch closed position, closed position is when the switch is toward the printed circuit board. O refers to switch open position or when the switch is moved away from the printed circuit board. Indicating arrow on top of programmer cover points toward closed position.

Once the switches are set, they become permanently stored after 8 hours of continuous operation or they can be manually set through the use of the optional ED510 display. Refer to the section using the optional ED510 display for detailed information.

Where applicable, each MicroM programmer is shipped with dip-switch 6 set to non-recycle on flame fail, dipswitch 4 set to 5 second PTFI time, and dipswitches 1 & 2 set to the longest purge time.

FIGURE 3.



Dipswitch Definitions

Purge Time: Begins after power is detected on Terminal #7 (limit control) and Terminal #6 (running interlock switch) and no flame (real or simulated) is detected.

Post Purge: If enabled, Terminal #8 (blower motor or contactor) will remain energized for 15 seconds after terminal #7 or Terminal #6 is detected as open.

PTFI Time: The maximum length of time that Terminal #3 and Terminal #4 will be energized after the pre-purge period to detect pilot flame. For all programmers, the MicroM forces a 3 second delay before advancing to the next logic module (Stabilization, MTFI or Auto) after flame is detected during the PTFI period. This is to allow establishment of a pilot and stabilization of the fuel flow.

Prove Air Flow Open: After power is detected on Terminal #7 (limit control) and before energizing Terminal #8 (blower motor or contactor) no power must be detected on Terminal #6 (running interlock switch). If power is detected on Terminal #6, the MicroM will hold for 60 seconds after which safety lockout will occur. On recycle operation, if this is enabled, Terminal #8 will be de-energized to allow Terminal #6 to open.

Recycle / Non-Recycle: Applies to flame failure during the Run condition. If a flame failure occurs, the control will de-energize Terminals #3 and #5 and if Recycle is selected a new prepurge period will begin. Lockout will occur immediately and the alarm will energize 15 seconds after flame failure if Non-Recycle is selected. Unless otherwise stated (see Programmer Description), the MicroM recycles on all occurrences of air flow failure. The MEP235 and MEP562 will always initiate a lockout on flame failure.

LED INDICATOR LIGHTS

All MicroM Programmer Modules have 5 LED lights to indicate the operating status of the control and also to display the coded sequence under locked out conditions. The function of the lights under a normal operating condition is:

Operating Control: This LED is energized whenever the burner control switch and all other various limit switches are closed and power is applied to Terminal #7.

Interlock or Air Flow: This LED is illuminated whenever power is detected on Terminal #6, indicating the air flow switch or other running interlock is closed. If the operating control is closed and the running interlock switch remains open, this LED will flash at a 1 second rate indefinitely for the MEP100 and MEP200 family. Lockout will occur if the switch remains open for 10 minutes in the MEP500 family. This LED will blink when configured as a flame switch and flame detected.



PTFI: This LED is illuminated only during the pilot trial for ignition period and the stabilization period when so equipped.

Flame: This LED is on whenever a flame signal is detected, and the control is not in a locked out state.

Alarm: This LED flashes when an alarm condition is detected and is used as an address indicator (see communication).

During an alarm condition, the Alarm LED is made to flash at approximately a 1 second rate. The remaining four LEDs are illuminated as a coded sequence identifying the reason for the lockout. For instance, for a LOCKOUT - FLAME FAIL- PTFI, the INTERLOCK, PTFI and FLAME LED's will all be lit steady, with the Alarm LED flashing. This remains true if power is removed and then restored in a locked out condition.

While in the Idle or Off state, the LEDs are made to flash sequentially to show the operational status of the control every minute. The LEDs can be tested by pressing and releasing the Reset push button, while in the Idle or Off state.

LOCKOUT CODES

MSGN		DESCRIPTION	OP CTRL	AIRFLOW INTLCK	PTFI	FLAME	ALARM
DEC	HEX						
6	6	Lockout Line Frequency Noise Detected	●	○	○	●	★
7	7	Lockout Flame Fail - PTFI	○	●	●	●	★
15	0F	Lockout Fault Unknown	●	●	●	●	★
16	10	Lockout Amplifier High Count Fail	○	○	○	○	★
19	13	Lockout Flame Fail - MTFI	○	○	●	●	★
20	14	Lockout False Flame - STANDBY	○	●	○	○	★
21	15	Lockout Intrlck Open	●	●	●	○	★
22	16	Lockout Intrlck Closed	○	●	●	○	★
24	18	Lockout Chassis Opto	●	●	○	●	★
37	25	Lockout Flame Fail - AUTO	○	●	○	●	★
39	27	Lockout Fuel Valve State Change	○	○	○	●	★
54	36	Lockout Check Chassis	○	○	○	●	★
55	37	Lockout Check Programmer	○	○	●	○	★
56	38	Lockout Check Amplifier	●	○	○	○	★
58	3A	Lockout Amplifier Auto Check Fail	●	○	●	○	★
59	3B	Lockout Check BLOWN FUSE	●	○	●	●	★
76	4C	Lockout Check Scanner	●	●	○	○	★
N/A	N/A	System Error	★	★	★	★	●

○ = NOT LIGHTED

● = LIGHTED

★ = FLASHING

All LED's Flashing indicates defective programmer.

All MicroM chassis are shipped with a convenient peel off label that can be applied to any surface (inside cover) for future reference.



DIAGNOSTIC MESSAGES - TROUBLESHOOTING GUIDE

	POSSIBLE CAUSE	SOLUTION
Check Programmer	Voltage on Terminal 5 at improper time.	Inspect wiring to main fuel valve
	Welded watchdog relay	Replace MEC chassis
	Internal diagnostic failure	Replace MEP programmer
Check Chassis	Voltage on Terminal 3 or 4 at improper time.	Inspect wiring to pilot valve and igniter.
	Welded watchdog relay	Replace MEC chassis
Chassis Opto	Opto-Coupler(s) short circuited	Replace MEC chassis
Amplifier High Count Fail	Amplifier signal level high	Replace Amplifier module
Amplifier Auto Check Fail	Flame signal too high	Use orifice in sight pipe
	Internal Amplifier diagnostic fault	Replace Amplifier module
Check Scanner	Defective shutter	Inspect scanner wiring, replace scanner
	UV tube false firing	Replace UV tube or scanner
Check Blown Fuse	No power detected on terminal 3	Inspect defective pilot valve or igniter
	Defective fuse	Replace fuse
Line Frequency Noise Detected	Spikes detected on AC mains	Check for SCR motors or DC drives
		Inspect ground system
Fuel Value State Change	Terminal 5 (main fuel) detected on during PTFI	Check external wiring or replace MEC chassis
Check Amplifier	Amplifier not passing diagnostic tests	Replace Amplifier module
System Error	Noise transient	Check high energy ignition noise location. Be sure it is not arcing to chassis or wrapped with scanner wiring.

PROGRAMMER DESCRIPTION

For replacement of UVM, TFM and M-II type controls, refer to the cross-reference provided at the end of this section.

MEP100 SERIES

MEP100 and MEP101

These programmers provide relight operation, in the event of a flame failure, pilot trial for ignition is reinitiated. The MEP101 will not lock out if flame signal is present during the Idle or Off cycle. With flame signal present, lockout will occur 60 seconds after the start of a cycle and the air flow switch is closed.

Pilot Ignited Burners

Refer to typical wiring arrangement beginning on page 38.

Normal Operation

With power applied and the limit operating control circuit (1-7) closed, the Operating Control LED illuminates, the burner motor circuit is energized (Terminal 8).

After the air flow proving switch (7-6) closes, the interlock (air flow) LED is illuminated and a short time delay period (3-5 seconds) begins.

At the expiration of the safe start check period, a 10 second pilot trial for ignition (PTFI) period is initiated, illuminating the PTFI Led. Power is applied to Terminal 3, energizing the pilot gas valve and to Terminal 4, energizing the spark ignition.

At the detection of pilot flame, the FLAME LED is illuminated, and the programmer holds that position for 3 seconds to allow the to pilot stabilize.

Power is then applied to Terminal 5 energizing the main fuel valve and removing power from Terminal 4, turning off the spark igniter.

When the operating control opens, the control de-energizes Terminal 3 and Terminal 5 and the programmer reverts back to an Idle state.



Safety Shutdown

In the event pilot flame is not detected at the end of the 10 second PTFI period, the pilot gas valve and spark ignition are de-energized. A safety lockout occurs which de-energizes the burner motor and energizes the lockout alarm relay circuit, lighting the Alarm LED, 15 seconds after the safety lockout occurs. Manual reset is required.

In the event of a flame failure during a firing period, the main fuel valve is de-energized (Terminal 5) and the spark ignition is re-energized (Terminal 4), the PTFI period begins again as described above under Normal Operation.

In the event of the interlock switch opening, the main fuel valve and pilot valve are de-energized. The control reverts back to the Idle state and begins again a new cycle starting with the safe start check period.

Direct Spark Ignited Burners

Refer to typical wiring arrangement illustrated on pages 40 and 41.

Normal Operation

With power applied and the limit operating control circuit (1-7) closed, the Operating Control LED illuminates, the burner motor circuit is energized (Terminal 8).

The interlock proving switch (7-6) closes, the INTRLCK LED is illuminated and a short time delay period (3 seconds) begins (safe start check period).

At the expiration of the safe start check period, a 10 second PTFI period is initiated. The PTFI Led is illuminated, power is applied to Terminal 3, energizing the main fuel valve and to Terminal 4, energizing the spark ignition.

At the detection of main flame, the FLAME LED is illuminated, and the programmer holds that position for 3-5 seconds to allow the main flame to stabilize.

Power is then removed from Terminal 4, turning off the spark igniter.

When the operating control opens, the control de-energizes Terminal 3 and Terminal 5 and the programmer reverts back to an Idle state. Terminal 8 is immediately de-energized.

Safety Shutdown

In the event the main flame is not detected at the end of a 10 second PTFI period, the main fuel valve and spark ignition are de-energized. A safety lockout occurs which de-energizes the burner motor and energizes the lockout alarm relay circuit, lighting the Alarm LED, 15 seconds after the safety lockout occurs. Manual reset is required.

In the event of a flame failure during a firing period, the secondary fuel valve (if used) is de-energized and the spark ignition is re-energized, the PTFI period begins again as described above under Normal Operation.

In the event of the interlock switch opening, the main fuel valve and pilot valve are de-energized. The control reverts back to the Idle state and begins again a new cycle starting with the safe start check period.

MEP102 & MEP104

The MEP102 and MEP104 programmers operate the same as the MEP100, except the PTFI time is limited to 5 seconds and 10 seconds respectively, the relight feature is eliminated and instead, the control will enter safety lockout on flame failure. Recycle to the start of safe start check period to begin a new cycle will occur on air flow switch opening.

MEP103

The MEP103 programmer implements a fixed 10 second spark igniter sensing period (SISP) used to detect spark, followed by a 10 second main trial for ignition (MTFI). Safety lockout occurs on flame failure during the main firing period (AUTO). Recycle occurs on air flow switch opening. If spark is not detected during the spark igniter sensing period the control makes one attempt to establish pilot

following a post purge of 30 seconds and a safe start check. Failure to ignition spark on the second attempt results in safety lockout.

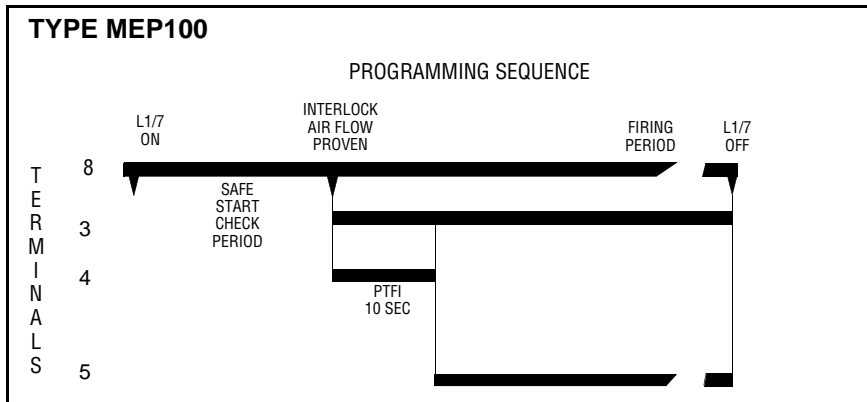
MEP100P

The MEP100P programmers provides a fixed 15 second post purge period upon detection of the operating Control (1-7) or Air Flow switch (7-6) opening.

MEP100 as FLAME SWITCH (refer to Figure 11)

For systems that require flame switch operation, that is, relay KF will toggle on with flame signal and off without flame signal, the MicroM provides this function when equipped with an MEP100 programmer. To operate as a flame switch, Terminals 1 and 6 **MUST** be powered with 120 VAC while Terminal 7 **MUST** be left unpowered. Terminals 3, 4, and 5 will provide an isolated (KL relay not energized) set of contacts with Terminal 3 being the common input, Terminal 4 will be normally closed and Terminal 5 will be normally open. **If Terminal 7 is powered or if Terminal 6 is non-powered and a flame signal is present, the MicroM will lockout after 1 minute and Terminals 4 and 5 will no longer switch with flame signal.** Refer to Figure 11 for configuration wiring. Air Flow LED will blink while flame is detected.

TIMING CHART



Terminal #5 is energized 3 seconds after flame is detected.
 Re-ignited PTFI on flame fail after Terminal 5 energized.
 Recycle on loss of interlock (air flow) after flame proven.

MEP101

Same as MEP100 but will tolerate flame signal during “Off” cycle.

MEP102

PTFI time limited to 5 seconds, lockout on flame fail.

MEP104

PTFI time limited to 10 seconds, lockout on flame fail.

MEP200 SERIES

The MEP200 Series programmers come equipped with a bank of dipswitches that allow user selectable prepurge timing, selectable PTFI timing, selectable post purge, selectable air flow proven open at start, and selectable recycle/non-recycle operation. Refer to PROGRAMMER DIPSWITCH SETTINGS for detailed information.

Recycle operation refers to flame failure during the main (AUTO) firing period. In the event of a main flame failure, power is removed from Terminal 3 and Terminal 5. If selected by the dipswitch, the control will enter a post purge period for 15 seconds and revert back to the Idle state where the pre-purge period begins.



If non-recycle operation is selected, in the event of a main flame failure, power is removed from Terminal 3 and Terminal 5. The control will enter a forced post purge period of 15 seconds, after which the Alarm LED is illuminated and the alarm relay is energized putting power on Terminal A.

The MEP230H programmer operates the same as the MEP230 with the exception of an additional 8 second pilot stabilization. After flame is detected during the trial for ignition period, the powering of Terminal 5 is delayed for eight (8) seconds. Terminal 4 remains powered during the stabilization period. This function is offered primarily for two-stage light oil burners, to assure a specific delay between light off of the first and second stage, and to provide additional ignition timing to improve flame stabilization.

The MEP290 programmer operates the same as the MEP230 with the exception that post purge is selectable from 0 to 90 seconds.

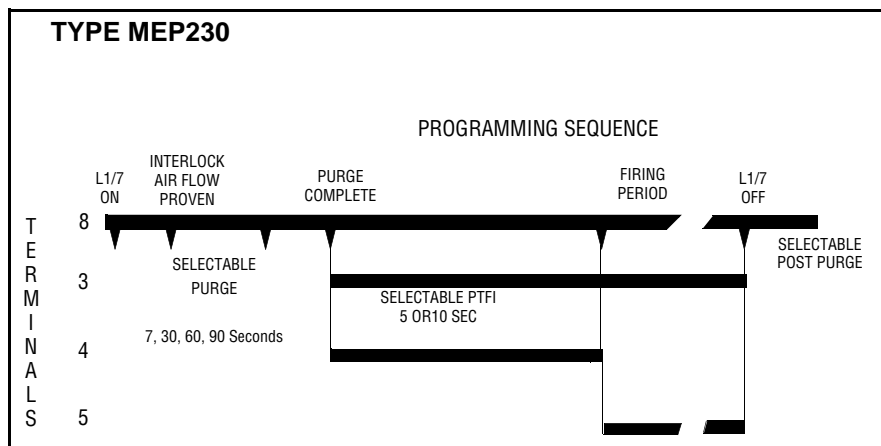
MEP235

The MEP235 programmer operates the same as the MEP230 except flame failure during the firing period causes lockout. Dipswitch #6 refers to Recycle/Non-Recycle on a loss of air flow (Terminal 6) after flame is proven. The running interlock circuit (Terminal 6) must be proven closed within 10 seconds after start of a cycle.

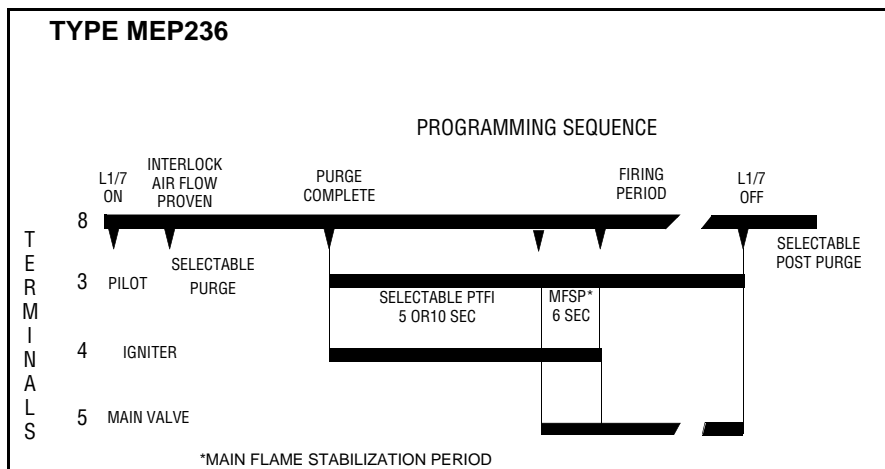
MEP236

The MEP236 programmer provides a 3 second main flame stabilization period by keeping Terminal #4 (igniter) energized while the main fuel valve (Terminal #5) opens. The MEP236 is to be used on an intermittent pilot only.

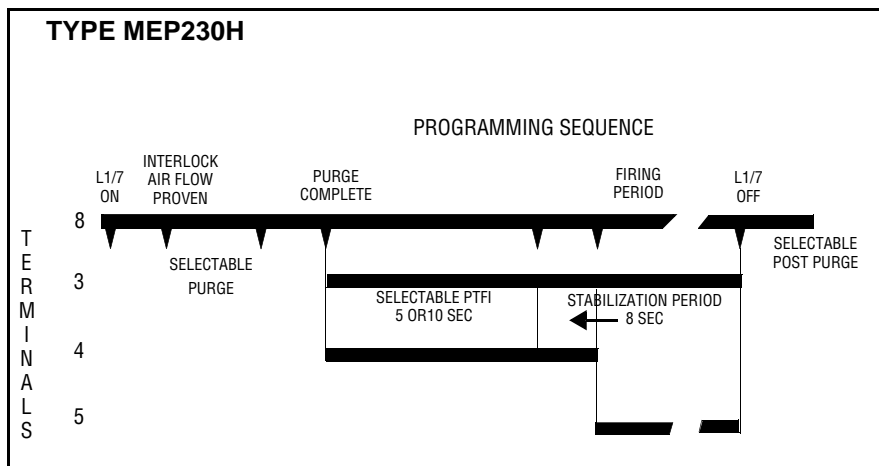
TIMING CHARTS



- Terminal #5 is energized 3 seconds after flame is detected.
- Selectable Recycle/Non-Recycle operation on loss of flame after Terminal 5 energized.
- Recycle on loss of interlock (air flow) after flame proven.
- Selectable air flow (interlock circuit) proven at start.
- Selectable purge times are 7, 30, 60 and 90 seconds.



Terminal #5 is energized 3 seconds after the flame is detected.
 Selectable Recycle/Non-Recycle operation on loss of flame after flame is proven.
 Igniter remains on for 6 seconds after main valve opened.
 Intermittent pilot only.
 For interrupted pilot, use MEP536



Pilot Stabilization timing begins as soon as flame is proven.
 Selectable Recycle/Non-Recycle operation on loss of flame after Terminal 5 is energized.
 Selectable air flow (interlock circuit) proven at start.

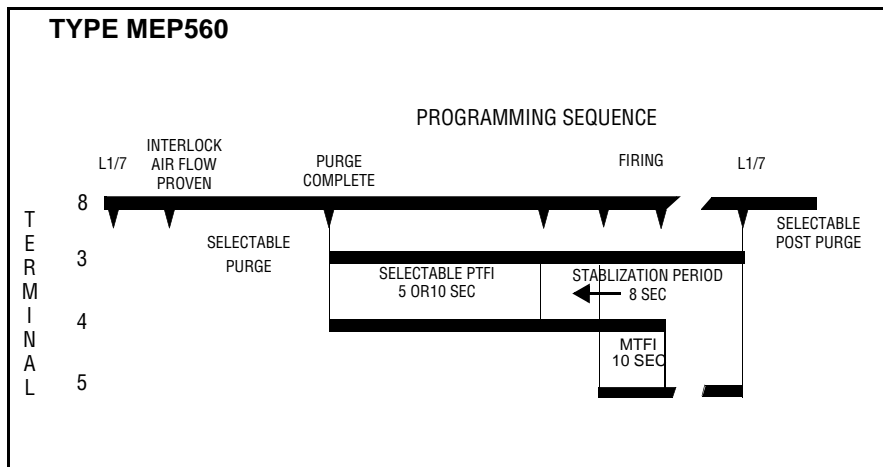
MEP500 SERIES

Refer to typical wiring arrangement illustrated on page 40.

The MEP500 Series Programmers provide an additional relay used to control Terminal 4 separately. This allows the implementation of a pilot stabilization period as well as main trial for ignition period. They also come equipped with a bank of dipswitches that allow the user selectable prepurge timing, selectable PTFI timing, selectable post purge, selectable air flow proven open at start, and selectable recycle/non-recycle operation. Refer to PROGRAMMER DIPSWITCH SETTINGS for detailed information.

A “run-check” switch is also provided to assist in testing size, position and stabilization of pilot in conjunction with the flame detector,

For the MEP560 and MEP562, after pilot flame is detected, the control enters an 8 second pilot stabilization period with Terminal 3 and Terminal 4 energized. At the expiration of the stabilization period, Terminal 5 is energized.

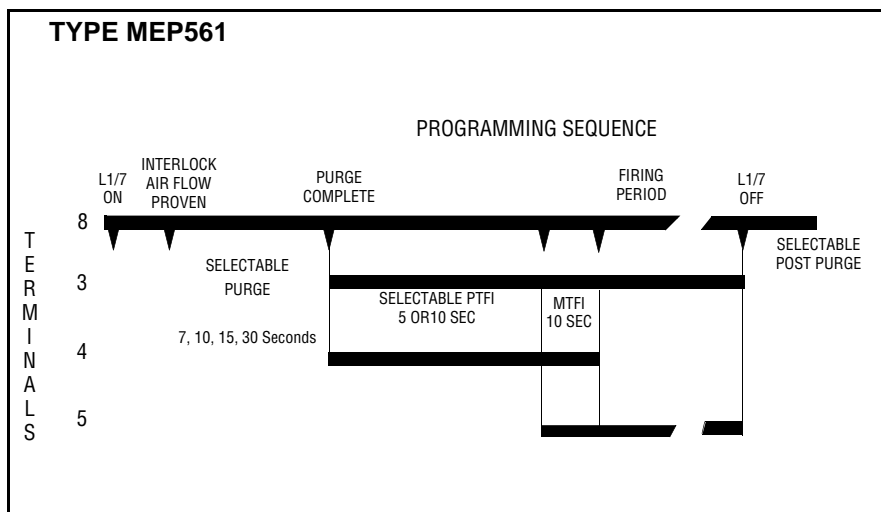


Pilot Stabilization timing begins as soon as flame is proven.

Selectable Recycle/Non-Recycle operation on loss of flame after Terminal 5 is energized.

Selectable air flow (interlock circuit) proven at start.

Recycle on loss of air flow (interlock circuit) after flame is proven.



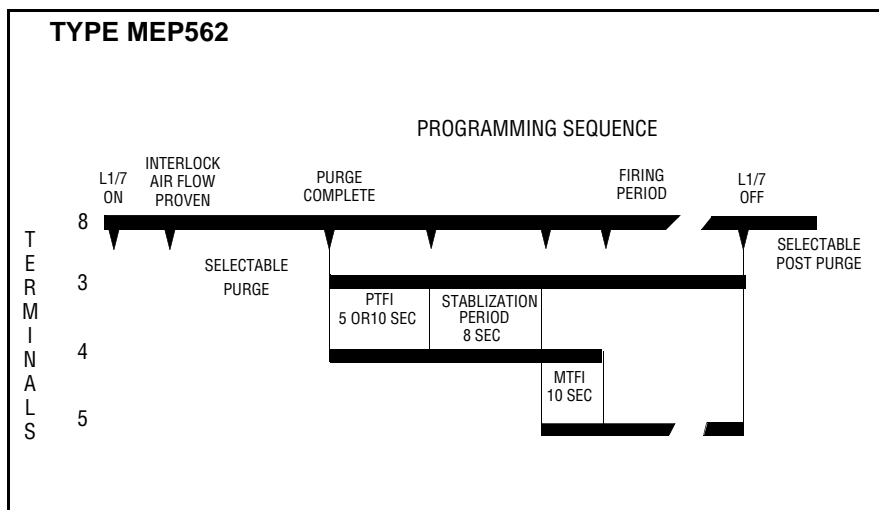
Selectable purge times are 7, 10, 15 and 30 seconds.

10 second timing begins 3 seconds after flame is proven.

Selectable Recycle/Non-Recycle operation on loss of flame after Terminal 5 is energized.

Selectable air flow (interlock circuit) proven at start.

Recycle on loss of air flow (interlock circuit) after flame is proven.



Pilot stabilization timing begins as soon as flame is proven.
 Lockout on loss of air flow (interlock circuit) after flame is proven.
 Lockout on flame fail.

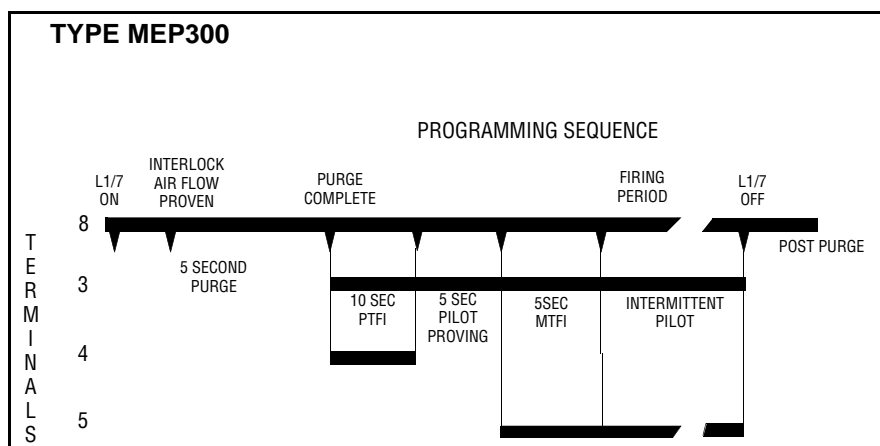
MEP300/MEP600 SERIES

This programmer type must be used with the MEC320 or MEC480 type chassis. Refer to typical wiring arrangement illustrated on page 41.

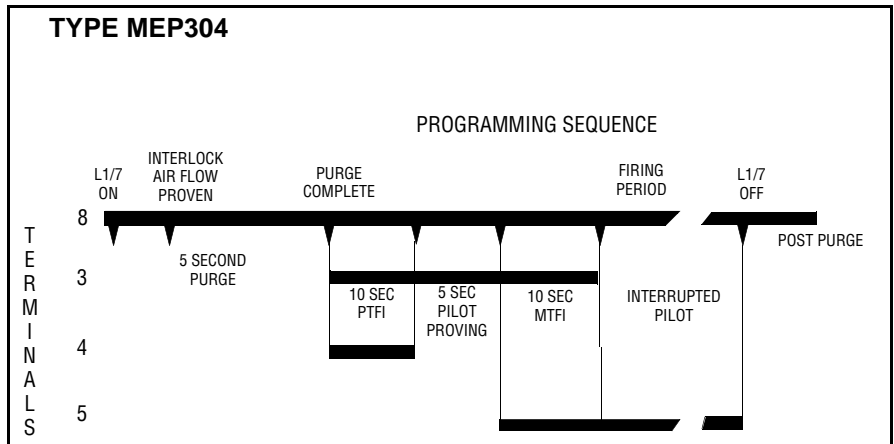
The MEP300/MEP600 Series Programmers provide additional relays used to control Terminals 3 and 4 separately. This allows the implementation of early spark termination, pilot proving period and interrupted pilot operation. The MEP397, MEP696 and MEP697 programmers contain a “run-check” switch to assist in testing size, position and stabilization of pilot in conjunction with the flame detector.

The MEP696 and MEP697 provide a control line used to energize and de-energize a relay located on the MED8 and MED9 daughter boards.

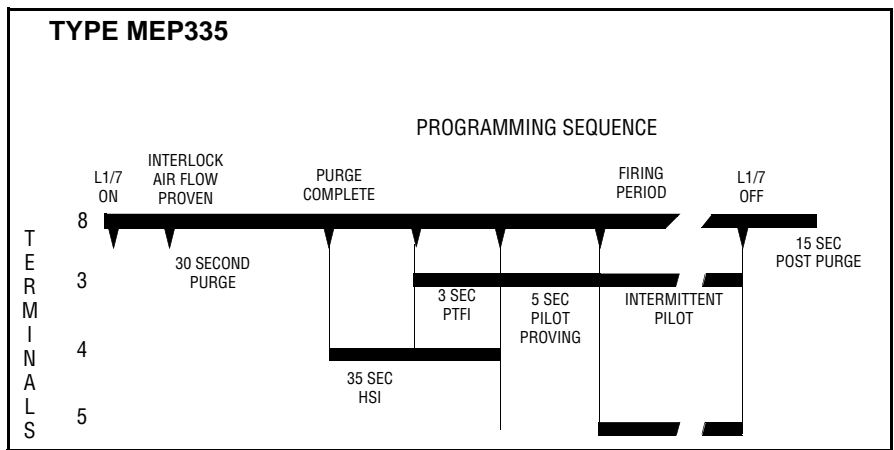
TIMING CHARTS



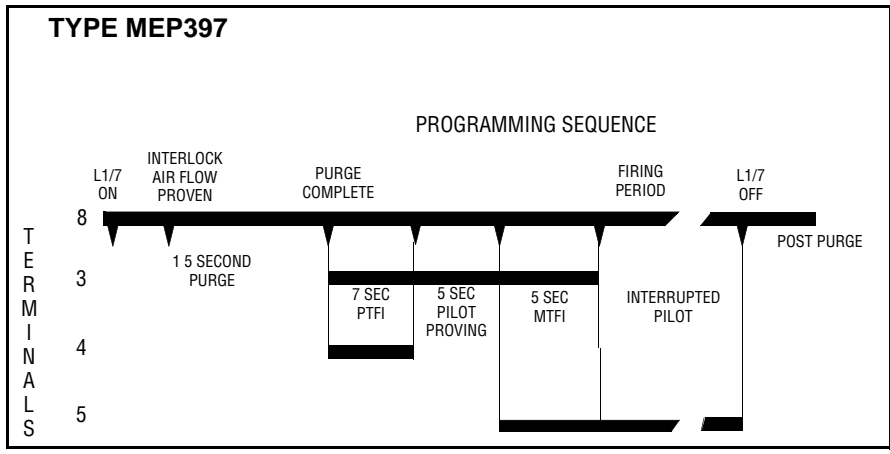
0 Second post purge on operating control open.
 15 Second post purge on flame fail during PTFI, Proving and MTFI.
 Lockout on flame fail during PTFI, Proving and MTFI.
 Relight operation on main flame fail.
 Recycle operation on air flow failure.
 Reset from lockout from pushbutton or line voltage.



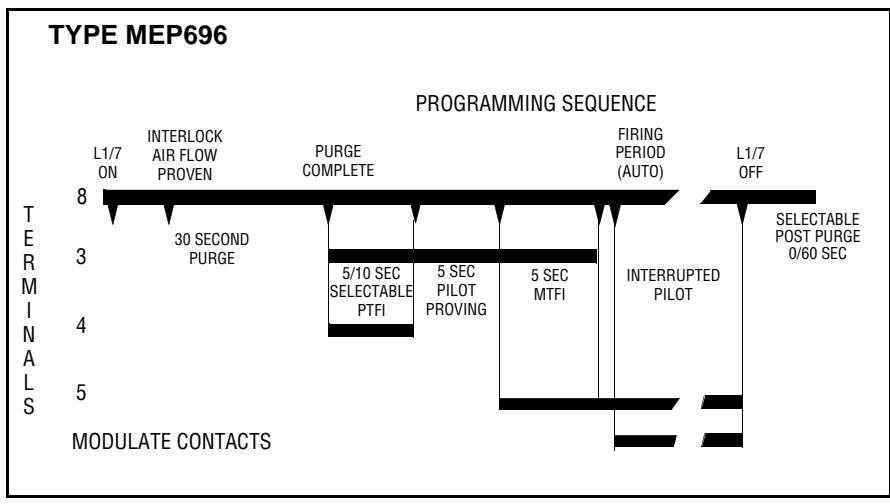
0 Second post purge on operating control open. 15 Second post purge on flame fail.
 Non-recycle operation on flame fail.
 Recycle operation on air flow failure.



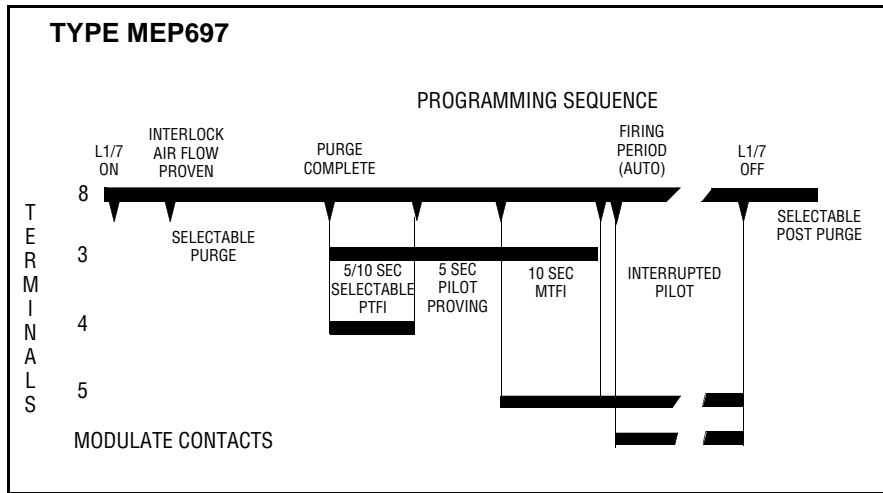
15 Second post purge
 Non-recycle operation on flame failure.
 Recycle operation on air flow failure.
 Reset from lockout from pushbutton.



- 0 Second post purge on operating control open.
- 15 Second post purge of flame fail during PTFI, Proving and MTFI.
- Lockout on flame fail during PTFI, Proving and MTFI.
- Relight operation on main flame fail.
- Recycle operation on air flow failure.
- Reset from lockout from pushbutton or line voltage.



- Lockout on flame fail.
- Lockout occurs if air flow terminal 6 is not proven 10 seconds into purge.
- Modulate contacts on daughter board change state 1 second into Auto.



Lockout on flame fail.

Lockout on air flow switch opening while main flame energized.

Recycle/Non-recycle dipswitch controls lockout on air flow switch not closing 10 seconds into purge.

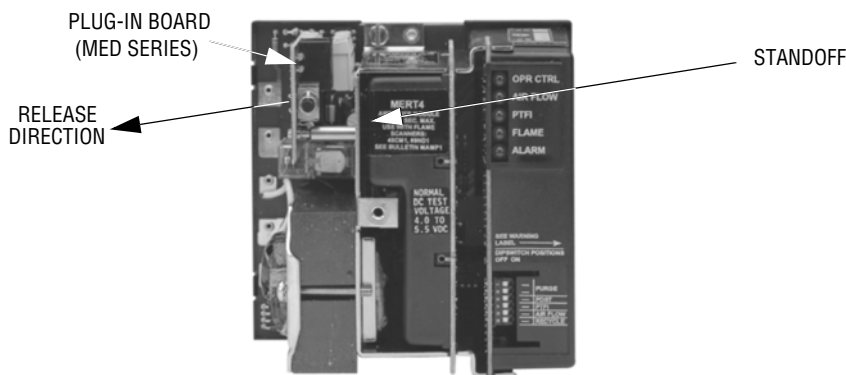
Modulate contacts on daughter board change state 5 seconds into Auto.

OPTIONAL PLUG-IN BOARDS

Description

A family of optional plug-in boards are available separately for the MicroM chassis to provide remote reset, remote alpha-numeric display and serial communications as a stand alone or in combination. Refer to ORDERING INFORMATION for MicroM Chassis types for units that have pre-installed functions.

FIGURE 4. PLUG-IN BOARD LOCATION AND INSTALLATION



Installation



WARNING: Remove power when servicing the control.

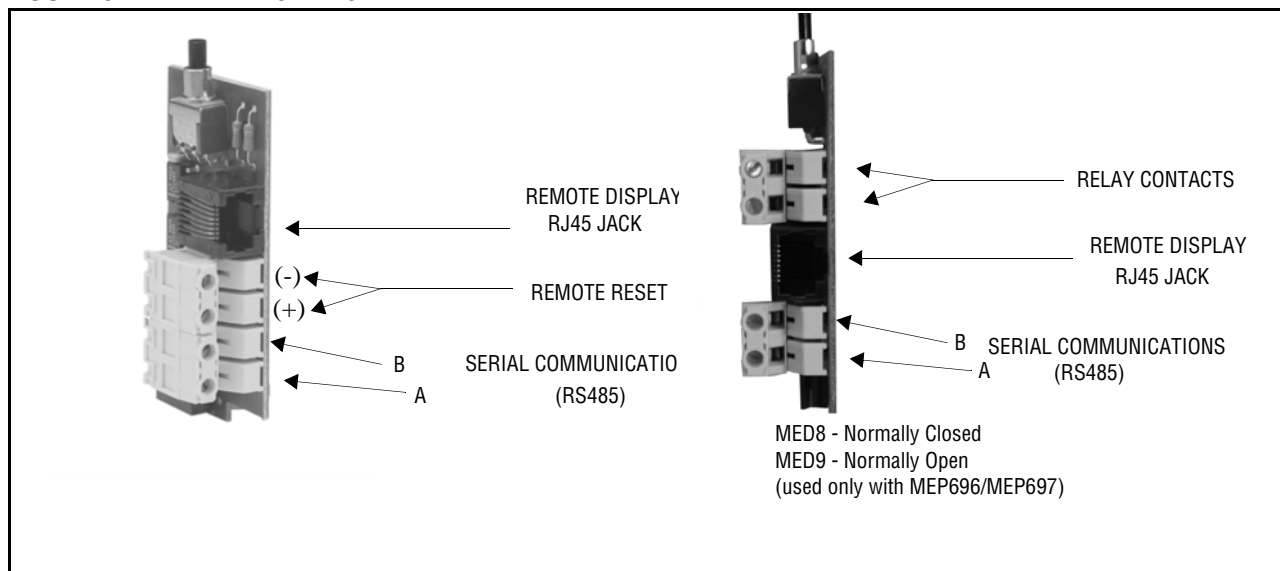
For upgrading standard units or for replacing the installed plug-in board, grasp plug-in board at the top and pull away from the chassis, freeing the unit from the retaining standoff. Lift plug-in board up and away from connector located on chassis board. Guide new plug-in board into the same connector and push onto standoff.

Function

Any MicroM chassis type with the appropriate plug-in board installed provides remote reset capabilities in the event of a lockout condition. A remote reset switch consists of a dry contact such as a remote momentary push-button wired to the two (2) terminals located on the plug-in board as shown in Figure 5. The reset switch will also force the MicroM to recycle if depressed and released during the purge or run period.

A plug-in board (MED8) is pre-installed in the MEC320TS chassis to provide local reset, remote alpha-numeric display, serial communications and normally closed relays.

FIGURE 5. REMOTE RESET



CAUTION: Remote reset is recommended only on a control solely for proved ignition programming (pilot ignited burner) or a control for use only with applications in which unburned fuel cannot accumulate and that is intended for installation in inaccessible locations such as open-flame, ceiling-suspended gas heaters. The remote reset location must be within sight and sound of the fired equipment.

ADVANCED RESET FUNCTIONS

Multiple functions have been integrated into the reset push button located on the MicroM and provided by way of the remote reset terminals. Among these are reset/recycle, reset from lockout only, recycle only and set unit address. **The functions of the switch is determined by the length of time the push button is depressed and released.**

The MicroM allows the connection of the remote resets to be connected together, usually in a multi-burner system where multiple MicroM's are mounted in a common panel. The reset push button located on the MicroM daughter board is in parallel with the remote reset terminals when provided by the other MED daughter boards.

Normal Operation

If the push button is depressed and released for greater than 1/2 second but less than 3 seconds, the MicroM will either reset if in lockout, or shutdown and revert back to the start of the cycle. If the MicroM is in the Idle state, this action will cause the LED's to sequence from the bottom to top and serves as a LED test.

Smart Reset

If the push button is depressed and released greater than 3 seconds but less than 5 seconds, the



MicroM will reset from the lockout state only. This is especially useful where, through the use of remote reset daughter boards, all reset inputs can be connected together to a common reset pushbutton or intelligent device (PLC). If the push button is depressed as described above it will only cause the unit that is in lockout to reset and not effect any other units.

Smart Recycle

If the push button is depressed and released greater than 5 seconds but less than 7 seconds, all connected MicroM units will recycle back to the beginning of purge. All units that are in lockout will remain in lockout.

Address Mode

If the unit is in the Idle or Standby mode and the push button is depressed and released for greater than 10 seconds, the unit address of the MicroM will be displayed on the LED's in a binary format. The range of the address is 0 to 31 and is used for Modbus or E500 communications. Because the default address is 0 and since address 0 would mean no LED's would be lit; the ALARM LED is made to flash when the address is 0. The OP CTRL LED is the least significant bit while the FLAME relay is the most significant bit. The ALARM LED is used to indicate if the address is greater than or less than 16. If the ALARM LED is flashing, the address is less than 16 and conversely if the ALARM LED is solid, the unit address is greater than 16. This only applies to the address. To increment the address on the control, depress and release the RESET push button and observe the LED pattern. If the RESET switch is untouched for 30 seconds, the current address displayed will be stored to memory and the MicroM will automatically exit the address mode.

LED	BINARY VALUE	0	1	2	3	4	5	6	7	8	9	10	11	12	13	14	15	★ 16
OP CNTRL	1	-	●	-	●	-	●	-	●	-	●	-	●	-	●	-	●	-
Air Flow	2	-	-	●	●	-	-	●	●	-	-	●	●	-	-	●	●	-
PTFI	4	-	-	-	-	●	●	●	●	-	-	-	-	●	●	●	●	-
FLAME	8	-	-	-	-	-	-	-	-	●	●	●	●	●	●	●	●	-
ALARM	16	★	★	★	★	★	★	★	★	★	★	★	★	★	★	★	★	★

★ note: addresses 17-31 would repeat above pattern but with alarm LED steady on

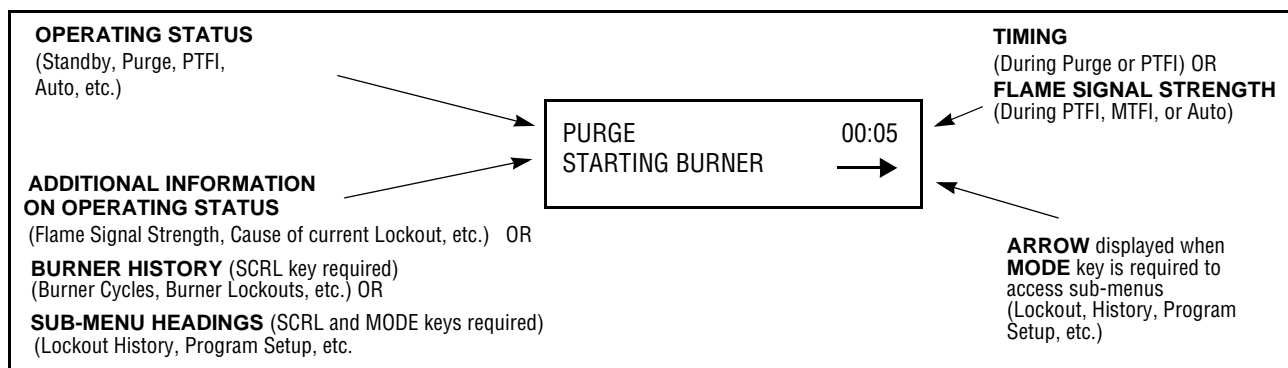
REMOTE DISPLAY

The MicroM provides an interface to the optional ED510 display module. The ED510 connects to the MicroM through the plug-in board using a ED580 cable. The ED580 cable is available in 2, 4, or 8 foot lengths. Part number 129-145 -1 (4 ft.), -2 (8 ft.), -3 (2 ft.) is available for remote mounting the ED510 Display Module and to provide NEMA 4 protection. ☒

The ED510 Display Module is a backlit, 2 line by 16 character LCD display with keypad to provide both current operation and historical information of the MicroM. The ED510 contains a keypad consisting of three push keys, SCRL, RESET and MODE. Remote reset is available through the ED510 Keypad.

The ED510 displays current burner status, first out annunciation in the event of a lockout condition, historical burner information, detailed lockout information of the last six (6) lockout conditions and programmer configuration information. Through the display the ability to program the unit address for communications, as well as resetting the stored information (cycles, hours, and lockouts) to zero is provided.

Depending on the information being displayed, data is displayed on the ED510 screen in the following locations:



At any time the MicroM is powered, the SCRL key is used to scroll through and display the total number burner hours, burner cycles, burner lockouts and system hours on the bottom line of the ED510 display. The top line will continue to show the current run mode of the control (e.g. PURGE, AUTO, etc.) Following the historical information, the SCRL key will display three (3) sub-menus providing the following information and/or functions:

- Lockout History (with burner cycle and burner hour time stamp).
- Program Setup (to display programmer type, purge timing, switch configuration, etc.)
- System Information (values of average pilot and main flame signal, and reset burner history).

The system sub-menus require the MODE key to gain access to the information associated with each sub-menu. An arrow is displayed in the lower right hand corner of the display to indicate a system sub-menu is available. Once within the sub-menu, pressing the SCRL key displays the next item within the sub-menu, and pressing the MODE key will exit the sub-menu and return the display to the top of the main menu.

AUTO	40
BNR HOURS	673

Number of burner operating hours. (Terminal #5 energized).

AUTO	40
BNR CYCLES	2784

Number of burner cycles.

AUTO	40
BNR LOCKOUTS	21

Number of burner lockouts.

AUTO	40
SYS HOURS	1386

Number of hours the control has been powered.

AUTO	40
LOCKOUT HISTORY	→

Sub-menu to display the cause of the last 6 lockouts. The MODE key is required to display the actual lockouts.

AUTO	40
PROGRAM SETUP	→

Sub-menu to display various operating parameters of the programmer and amplifier. The MODE key is required to enter the sub-menu.

AUTO	40
SYSTEM INFO	→

Sub-menu to display information pertaining to the operation of the control. The MODE key is required to enter the sub-menu



LOCKOUT HISTORY

The sub-menu “LOCKOUT HISTORY” will display the last six (6) lockouts, along with the burner cycle and burner hour when the lockout occurred. When the MODE key is pressed, the screen will display the most recent lockout condition and the number of that lockout (e.g. LO #127 represents the 127th lockout of that control). The SCRL key will display the Burner Hour, followed by the Burner Cycle when the lockout occurred. The SCRL key will advance to the next lockout, and repeat the sequence listed above. The MODE key will exit the sub-menu.

PRESS	SCREEN DISPLAYS	DESCRIPTION
SCRL	AUTO 45 LOCKOUT HISTORY	Scrolling through the historical information.
MODE	LO #127 PTFI FLAME FAIL	The latest (most recent) lockout condition. This is the 127th lockout of the control. History indicates the lockout occurred during PTFI.
SCRL	LO #127 PTFI @ BNR HOURS 136	The last lockout occurred after 136 hours of burner operation.
SCRL	LO #127 PTFI @ BNR CYCLE 744	The last lockout occurred at burner cycle 744.
SCRL	LO #126 PURGE AIR FLOW OPEN	The second latest lockout condition. This is the 126th lockout of the control. History indicates the lockout occurred during purge.
MODE	AUTO 45 FLAME SIGNAL	Screen has returned to the normal run message.

PROGRAM SETUP

The sub-menu “PROGRAM SETUP” allows the user to review the various operational settings of the programmer module (e.g. programmer type, purge timing, etc.). The MODE key is used to enter the “PROGRAM SETUP” sub-menu, and the SCRL key is used to advance through the sub-menu.

MODE	AUTO 45 PROGRAMR MEP230	Programmer Type is an MEP230.
SCRL	AUTO 45 ENGR CODE NO. 5	Software Engineering code of the programmer module is code 5.
SCRL	AUTO 45 AMP. TYPE= MEUV	Amplifier module is an EUV1 or an ERT1.
SCRL	AUTO 45 FLAME FAIL TIME = 3s	Flame Failure Response Time (FFRT) is 3 seconds.
SCRL	AUTO 45 PURGE TIME = 7s	Purge timing (selected by the dipswitches) is 7 seconds.
SCRL	AUTO 45 PROVE 7-6 OPEN = N	Prove 7-6 open to start is disabled (selected by dipswitches).
SCRL	AUTO 45 POST PURGE = 0s	Post purge time is 0 seconds (selected by dipswitches).
SCRL	AUTO 45 TYPE RECYCLE	Control recycles on flame fail (selected by dipswitches).
SCRL	AUTO	Unit Address is 00. Refer to section on communications.



SCRL	UNIT ADDRESS 00 PRESS RESET TO ACCEPT SETTINGS	Force storage of dipswitch settings before 8 hours time-out.
MODE	AUTO 45	Mode key returns to normal run message.

SYSTEM INFO

The sub-menu “SYSTEM INFO” allows the user to review information pertaining to the operation of the control (e.g. average main flame signal strength, status of the high fire and low fire end switches, etc.). The MODE key is used to enter the “SYSTEM INFO” sub-menu, and the SCRL key is used to advance.

Press	Screen Displays	Description
SCRL	AUTO 45 SYSTEM INFO >	SCRL key advances through the historical information until “System Info” is displayed. Pressing and releasing the MODE Key enters the sub-menu.
MODE	AUTO 45 AVG. PILOT FLM 22	The average flame signal strength of the pilot flame = 22
SCRL	AUTO 45 AVG. MAIN FLM 40	The average flame signal strength of the main flame = 40.
SCRL	PRESS RESET TO CLEAR HISTORY	Historical data will be cleared to 0. Must be done while terminal I-7 is open.
MODE	AUTO 45 FLAME SIGNAL	Mode key returns to run message.

COMMUNICATIONS

The protocol to be used is Modbus RTU. This is implemented by the master (PC, PLC, etc.) issuing a poll to the slave (MicroM) and the slave responding with the appropriate message.

A typical format of a poll request is as follows:

DST	FNC	ADR HI	ADR LO	DAT HI	DAT LO	CRC LO	CRC HI
-----	-----	-----------	-----------	-----------	-----------	-----------	-----------

DST refers to the logical address of the slave set but using reset pushbutton or ED510.

FNC is the function being requested. FNC 03 is a read request.

ADR is the message number or register number of the data being requested. In Modbus, register addresses begin at 40001 but is interpreted as address 00.

DAT is the number of words being requested. A word is an integer consisting of 2 bytes.

The normal response from a slave is as follows:

DST	FNC	DBC	DATA.... Hi/Lo	CRC LO	CRC HI
-----	-----	-----	-------------------	-----------	-----------

DBC is the data byte count being returned. It must be two times the DAT number from the poll request.

DATA is the data returned and is always a series of 2 byte integers. If 4 words were requested then DBC would be 8 and there would be 8 data bytes or 4 data words containing the requested data.



The format of the data is 4800, N, 8, 1 meaning 4800 baud, no parity, and 1 stop bit.

Below is a table of currently available messages provided by the MicroM programmers, followed by a description where necessary.

MESSAGE ADDRESS	WORDS REQUESTED	RESPONSE	VALUE
00	1-6	STATUS	83 (053H) = RUN; 202 (0CAH) = LOCKOUT
01	1	MSGN	Current message being displayed (see Table 3)
02	1	GSTAT	Defines Timer Type
03	1	TIMER	Time, Flame, Address
04	1	FLAME	Flame Signal
05	1-3	LOGSTAT	Current logic module, PURGE, PTFI, AUTO (See Table 1)
06	1	INPUTS	Input limits state
07	1	OUTPUTS	Output relays state
08	2, 4 or 8	SYSMINS	System on minutes
10	2 or 4	BNRMINS	Burner on minutes
12	2	CYCLES	Completed Burner Cycles
14	1	LOCKOUT COUNT	Stored Lockout Count
15	1-6	LOCKOUT HISTORY	Last 6 Lockouts, first word is most current lockout
21	1-2	DEVTYP	Programmer device type, 5=EP, 6=EPD, 7=MicroM
22	1	AMPTYP	Amplifier Type; MECD=080H; MEUV=090H; MEIR=0A0H; MERT=0B0H; MEUVS=0C0H
23	1	PROGTYP	Programmer Type (See Table 2)
24	2	FLAME SIGNAL AVERAGES	PTFI and Auto Flame Signal Averages
26	1-9	Combined Status	See Description Below
35	6	Most Recent Lockout Data	Returns complete lockout description of stored lockout history. Includes lockout message, lockout module, @ burner hours, and @ burner cycles
41	6	2nd Most Recent Lockout Data	
47	6	3rd Most Recent Lockout Data	
53	6	4th Most Recent Lockout Data	
59	6	5th Most Recent Lockout Data	
65	6	6th Most Recent Lockout Data	

Messages 00, 05, 08, 10, 15, 21 and 26 are unique in that a limited number of successive registers can be combined with these requests. For example, a request to message 00 can contain up to 6 data words. The response to this would contain STATUS, MSGN, GSTAT, TIMER, FLAME and LOGSTAT. If the requested data word count (DAT) were to be 2 then the response would contain STATUS and MSGN only. Message 15, last 6 lockouts, can return data ranging from 1 to 6, with 1 referring to the most recent lockout.



Message 26 returns the current operating status as well as stored burner hours and burner cycles as a snapshot of the entire MicroM system. When all 9 words are requested, the data returned consists of STATUS, MSGN, FLAME, INPUTS, OUTPUTS, BNRMINS, and BNRCYCS.

The MSGN being transmitted is a numerical value and must be interpreted by the communicating device, which actually is an advantage since this can be made to be whatever message text the end user wants. In other words, it allows for programming custom messages without actually changing the message in the programmer.

The MicroM stores its burner on time (Terminal 5 powered) and system on time (L1 powered) in minutes. Internally, the programmer converts this to hours for display purposes, however the result is rounded down. The information being supplied by Modbus will be the actual time in minutes and it is up to the communicating device to do the conversion. Since the maximum value stored in the MicroM is 9,999,999 minutes, the maximum value in hex therefore, is 98967FH and comprises of two data words. The maximum cycle count is 999,999 decimal or 0F423FH, still two data words. As an example, the System on Minutes data is transmitted from the MicroM to the interface as high word / low word as shown below:

MESSAGE ADDRESS 8		MESSAGE ADDRESS 9	
HIGH WORD		LOW WORD	
HIGH BYTE	LOW BYTE	HIGH BYTE	LOW BYTE
0	98H	96H	7FH

Note: Data from address 9 cannot be accessed directly.

All values are represented in a HEX or base 16 format.

GSTAT determines the type of value TIMER represents. TIMER can be a running timer such as is used in purge, a flame signal or meaningless. Only the lower nibble of GSTAT has any value. If this value is 0 then the TIMER value has no meaning. The value in TIMER is a background minute timer in the MicroM and should be ignored. If GSTAT is between 4 and 7, the TIMER represents the current value flame signal. If GSTAT is a 1, 2, or 3 then TIMER represents a running timer value.

The baud rate of the MicroM is fixed at 4800 bits per second. The format of the data is 8 data bits, no parity and 1 stop bit. Due to the RS485 format, the communication format is considered half-duplex. That is, only one user is permitted on the communication lines at a time.

The information contained in INPUTS and OUTPUTS represents the status of the interlocks and relays respectively. For the INPUTS, a 1 in the interlock position defines the interlock as being on or energize where the 1 in any bit position in the OUTPUT register signifies the relay as being energized.

INPUTS

			Term 5	Term 3	Term 6	Term 7	
Reset	Scrl	Mode	RF	Pilot	Intrlck	OpCntrl	Ref

Reset, Scrl and Mode represent the keypad located on the ED510 display. A '0' in any of these positions indicates the switch is depressed. A '1' in the opto-coupler position indicates the opto-coupler is on or interlock closed.

OUTPUTS

			Term 8	Term A	Term 3	Term 5	Term 4
N/A	N/A	N/A	Blower	Alarm	Pilot	Main Fuel	MTFI

A '1' in any terminal position indicates the relay is energized. Term 4 indicates the state of K1 relay, located in the MEP500 series programmers.



It is suggested that repeated polling interval not be less than 200 mSec per request. Requesting data such as burner minutes, system minutes and burner cycles be kept at a minimum due to the amount of processing time required to gather that data.

Table 1: Logic Dispatch

LOGIC DISPATCHER		
VALUE		MicroM
HEX	DEC	
45H	69	MPOSTIDLE
46H	70	MPREPURGE1
47H	71	MPURGE
48H	72	MTFI
49H	73	MSTABLE
4AH	74	MTFMF
4BH	75	MAUTO
4CH	76	MSHTDWN1
4DH	77	MSHTDWN2
4EH	78	MIDLE

Logstat represents the current software module the Flame-Monitor is currently executing. They are named as close to the logic module the actual burner sequence is in. For instance, in the Flame-Monitor, MPURGE represents High Fire Purge where MPOSTPURGE represents low fire start purge. MSHUTDWN1 represents the post purge period after a complete cycle or the cool down period after a lockout.

MIDLE or STANDBY is the period of time where the operating control is open or the control is in lockout waiting for reset. On instances of false flame during the purge period, the control algorithm forces the control back to STANDBY until false flame ceases or lockout occurs.

MPREPURGE1 is the period of time prior to PURGE where the control checks the status of the air flow interlocks or in the case of the Flame-Monitor, high fire proving switch (D-8). If found open, the control will remain in this state until the respective switch closes or lockout occurs.

MTFI represents the pilot ignition stage of a burner sequence. MTFMF represents the main trial for ignition period where main fuel is introduced along with pilot.

MAUTO is the run period of the burner sequence.

MPOSTIDLE and MSHTDWN2 are small periods of time where certain internal tests are conducted and general cleanup before and after a cycle is performed.

PROGTYP is represented by 1 data word. The upper byte identifies the family and the lower byte represents the programmer type within the family. The data represented by PROGTYP can be used to guard against the wrong programmer being installed in a system.

Table 2: Program Module Identification

Programmer Module	Identifier
MEP100	0H, 01H
MEP101	0H, 02H
MEP102	0H, 03H
MEP103	0H, 04H
MEP100P	0H, 05H
MEP109	0H, 06H
MEP130	0H, 08H
MEP104	0H, 09H
MEP105	0H, 0AH
MEP106	0H, 0BH
MEP107	0H, 0CH
MEP108	0H, 0DH
MEP230	1H, 01H
MEP230H	1H, 02H
MEP235	1H, 04H
MEP236	1H, 05H
MEP290	1H, 06H
MEP238	1H, 09H
MEP237	1H, 0AH
MEP560	2H, 01H
MEP561	2H, 02H
MEP562	2H, 03H
MEP536	2H, 04H
MEP537	2H, 05H
MEP300	0H, 01H
MEP304	0H, 09H
MEP397	0H, 0DH



Table 3: Message Description

DEC	HEX	MicroM Message
1	1	L1-7 OPEN
2	2	FALSE FLAME
3	3	STARTING BURNER
4	4	
5	5	INTRLCK OPEN
6	6	LOCKOUT LINE FREQUENCY NOISE DETECTED
7	7	LOCKOUT FLAME FAIL - PTFI
8	8	UNIT ADDRESS
9	9	MTFI
10	0AH	IGNITION TIMING
11	0BH	
12	0CH	FLAME SIGNAL
13	0DH	CYCLE COMPLETE
14	0EH	OFF
16	10H	LOCKOUT AMPLIFIER HIGH COUNT FAIL
19	13H	LOCKOUT FLAME FAIL – MTFI
20	14H	LOCKOUT FALSE FLAME – STANDBY
21	15H	LOCKOUT INTRLCK OPEN
22	16H	LOCKOUT INTRLCK CLOSED
23	17H	INTRLCK CLOSED (PROVING AIR FLOW OPEN AT START)
24	18H	LOCKOUT OPTO FAILURE
30	1EH	FALSE FLAME
37	25H	LOCKOUT FLAME FAIL - AUTO
39	27H	FUEL VALVE STATE CHANGE
40	28H	AIR FLOW CLOSED
49	31H	LOCKOUT FLAME FAIL - PTFI
54	36H	LOCKOUT CHECK CHASSIS
55	37H	LOCKOUT CHECK PROGRAMMER
56	38H	LOCKOUT CHECK AMPLIFIER
58	3AH	LOCKOUT AMPLIFIER AUTO CHECK FAIL
59	3BH	LOCKOUT CHECK BLOWN FUSE
76	4CH	LOCKOUT CHECK SCANNER

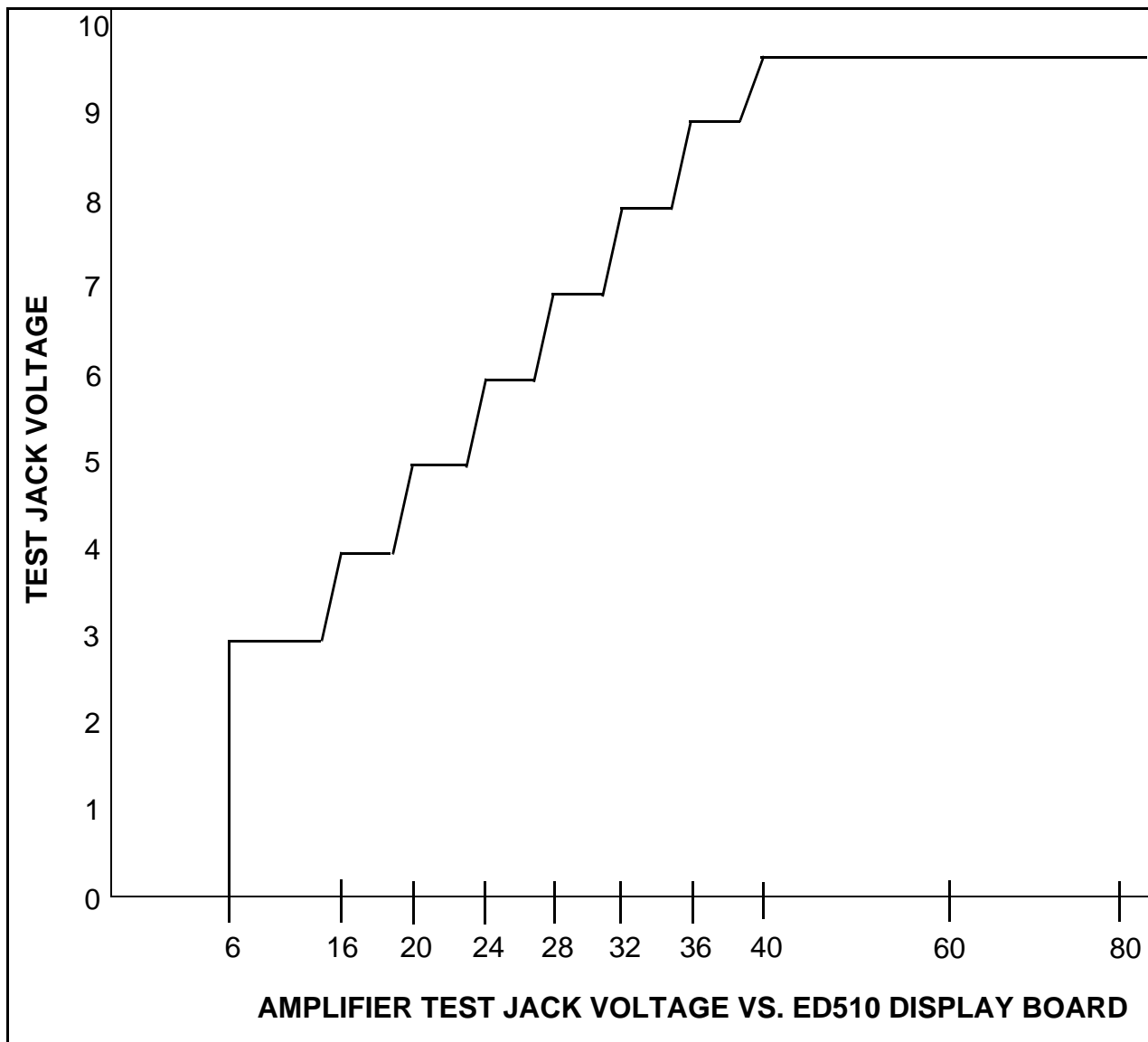
Addressing Modes

For communication in a multi-burner or multi-control environment, each MicroM must have a unique address. The range of address allowed within the MicroM is 0 to 31 allowing for a possible 32 units to be connected in a single multi-drop node. As shipped the default address is 0. The address of the MicroM may be set using two methods. Using the ED510 display, it is necessary to go to the PROGRAM SETUP menu and enter that submenu with the MODE key. SCRL down until the display indicates UNIT ADDRESS with the actual address of the MicroM being displayed on the top

line of the display. Pressing and releasing the RESET key will cause the address to increment. The address after 31 is 0. The second method is to use the local reset located on the plug-in board. It is first necessary to open the operating control (L1-7) to have the MicroM in the IDLE or STANDBY position. Depressing the reset switch for greater than 10 seconds will cause the address of the MicroM to be displayed in a binary format on the LEDs located on the programmer board. Because the default is address 0, and since address 0 would mean no LEDs would be lit; the ALARM LED is made to flash when the address is 0. The OP CTRL LED is the least significant bit while the ALARM relay is the most significant bit. To increment the address counter, depress and release the RESET push button and observe the LED pattern. If the RESET switch is untouched for 30 seconds the current address displayed will be stored to memory and the MicroM will automatically exit the address mode.

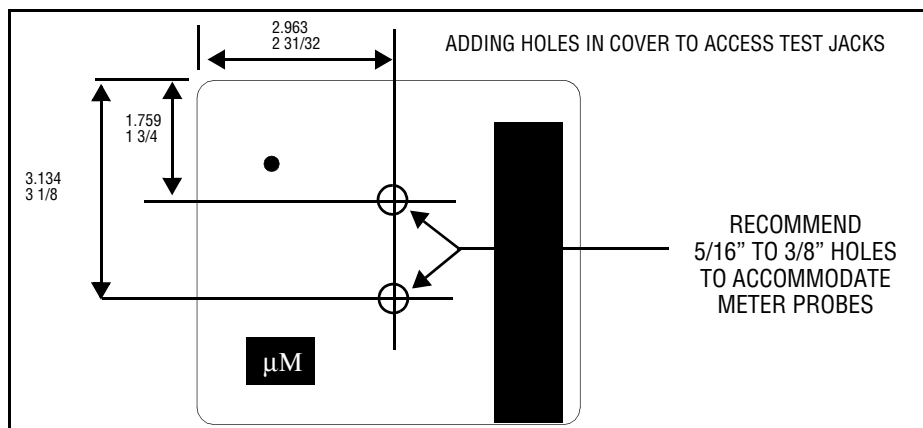
TEST JACK VOLTAGE

For all amplifiers, the MicroM provides a uniform 0-10 volt signal to represent the flame signal strength. A signal reading greater than 4 volts is considered sufficient to provide reliable operation. This same signal is also available in a numerical format on the ED510 display. The chart below correlates the test jack voltage to the numerical value. The signal clamps at 10 volts at a numerical value greater than 42 and the numerical value clamps at 80.



EXTERNAL METER CONNECTIONS

The test jacks are located on the amplifier card. If external access is desired for a panel meter the shown below will assist you in locating the position to drill through on the front cover. The hole sizes should be large enough to accommodate the body of the meter probes. The tests accept meter probes up to .080" or 2mm diameter.



INSTALLATION TESTING

New warning for Micro-M control product bulletin



WARNING!!

Boiler operation, maintenance, and troubleshooting shall only be conducted by trained personal. Persons troubleshooting lockouts or resetting the control must respond properly to troubleshooting error codes as described in this product bulletin.

Jumpers being used to perform static test on the system must be used in a controlled manner and must be removed prior to the installation of the Micro-M on the wiring base and the operation of the control. Such tests may verify that external controllers, limits, interlocks, actuators, valves, transformers, motors and other devices are operating properly. Such test must be conducted with manual fuel valves in the closed position only. Replace all limits and interlocks not operating properly, and do not bypass limits or interlocks. Failure to follow these guidelines may result in an unsafe condition hazardous to life and property.

Use of Test Meter (All Controls)

Testing the Fireye MicroM Controls requires the use of a test AC/DC multimeter, with a minimum 1000 ohm/volt AC scale and 20,000 ohm/volt DC scale.

With the test meter on the DC scale, and the test meter leads inserted into the test jacks on the amplifier (Red for positive (+) polarity, Black for minus (-) polarity), a DC voltage reading of 4.0 to 10 volts for all amplifier types should be obtained when the control is detecting flame and 0 volts when no flame is present. Wildly fluctuating readings are an indication of an unstable flame or flame sensor requiring maintenance. Inadequate flame signal may be improved by:

1. Assuring that the flame detector and wiring installations have followed the instructions beginning on page 46.
2. Assuring that the flame detector is clean and within the ambient temperature limits.
3. Assuring that the flame is sufficiently large to detect.
4. Assuring that the flame quality (fuel to air ratio, combustion air velocity) is satisfactory.
5. Trying a shorter sight pipe or increasing the sight pipe diameter. **(The burner manufacturer should be consulted before mechanical changes are made).**



When using a flame rectification amplifier, a micro-ammeter may be connected in series with the wire to Terminal S2. Normal flame will produce a meter reading between 4 and 10 micro-amperes.

With the test meter on the AC scale, line and load voltages may be measured at the identified test points on the chassis.



WARNING: Before making a pilot flame test, manually shut off the fuel supply to the main burner.

Normal Pilot Flame Test (Programmers with Run/Check Switch)

1. At pilot trial for ignition (PTFI) place the Run/Check switch in the Check position.
2. During the pilot flame test and adjustment period, if flame is not detected within 30 seconds, the control will lock out and require manual reset to initiate another cycle.
3. Observe the pilot flame signal on the test meter or the ED510 display. If the flame signal is below 4.0 volts DC or a reading of 10 on a remote display, re-adjust the pilot flame or realign the flame detector.



WARNING: DO NOT TOUCH a flame rectification rod with power applied.

4. When using UV detection, a test is required to verify that UV radiation from the ignition spark is not being detected. To accomplish this, manually shut off both the pilot and main fuels. Initiate a normal start-up. Observe the test meter which should read no more than 1/2 volt DC. If higher levels are observed, realign the UV scanner, and/or shield the spark from the scanner's view.
5. Move the Run/Check switch to the Run position, check pilot flame response time by manually shutting off the pilot fuel and initiate a normal start-up. With no pilot flame present, the control will de-energize the pilot assembly at the end of the trial for ignition interval (selectable by dip-switch #4) and go into safety shutdown.



WARNING: The minimum pilot test must be accomplished by a trained and qualified burner technician.

Minimum Pilot Test

This test assures that the flame detector will not sense a pilot flame too small to light a the main flame reliably. It must be made on every new installation as well as following the repositioning or replacement of the flame detector. This procedure should not be used on a direct spark burner.

1. Manually shut off the fuel to the main burner.
2. Place the Run/Check switch in the Check position. (MEP500 Series Programmers only).
3. Connect a test meter to the test jacks on the Amplifier Module or observe the reading on the ED510 display.
4. Initiate a normal start-up.
5. Reduce the fuel to the pilot until the DC voltmeter reads 4.0 volts. This is the minimum pilot. For flame rectification the flame signal for minimum pilot varies depending on the application. See WARNING below.
6. Return the Run/Check switch to the Run position (MEP500 Series Programmers only).
7. Slowly turn on the main fuel and insure the main flame lights off promptly and normally.



WARNING: If light off is delayed, shut off the power to the installation. Realign the flame detector so a larger pilot flame is required before flame is detected. Repeat this test until the main flame lights reliably with minimum pilot.

Flame Failure Test

1. Temporarily connect spark ignition and pilot to Terminal #3.
2. Initiate a normal start-up.



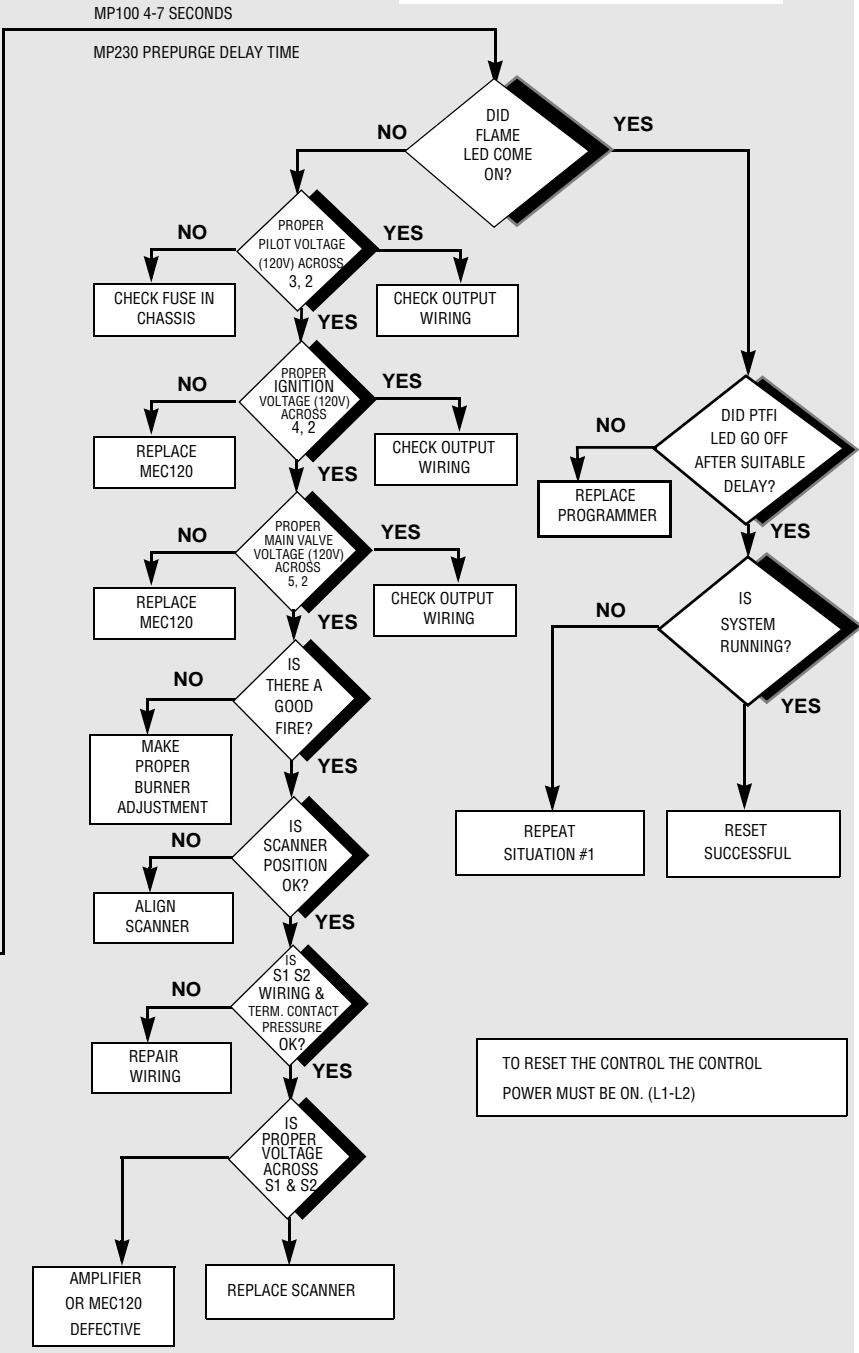
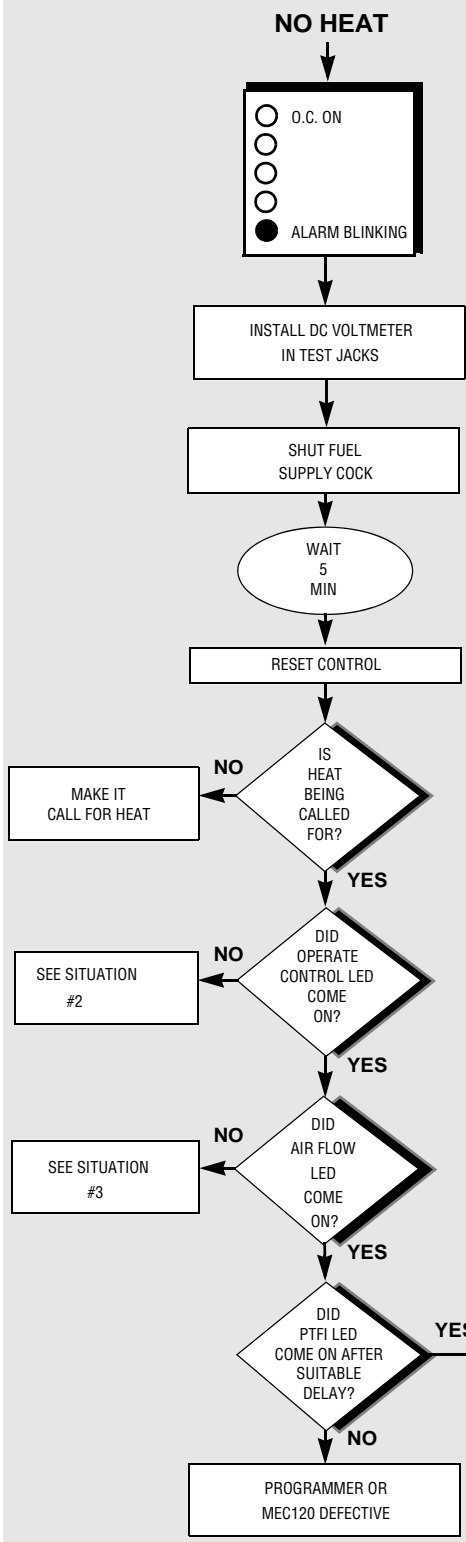
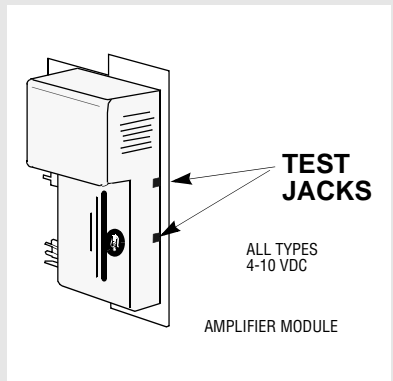
3. Manually shut off all fuel and observe the loss of flame signal on the test meter.
4. If flame signal does not reduce to zero within the flame failure response time of the control (FFRT determined by the selection of the amplifier), verify the UV flame detector is not actuated by the ignition spark. If spark is detected, a metallic shield or relocation of the UV detector is required.

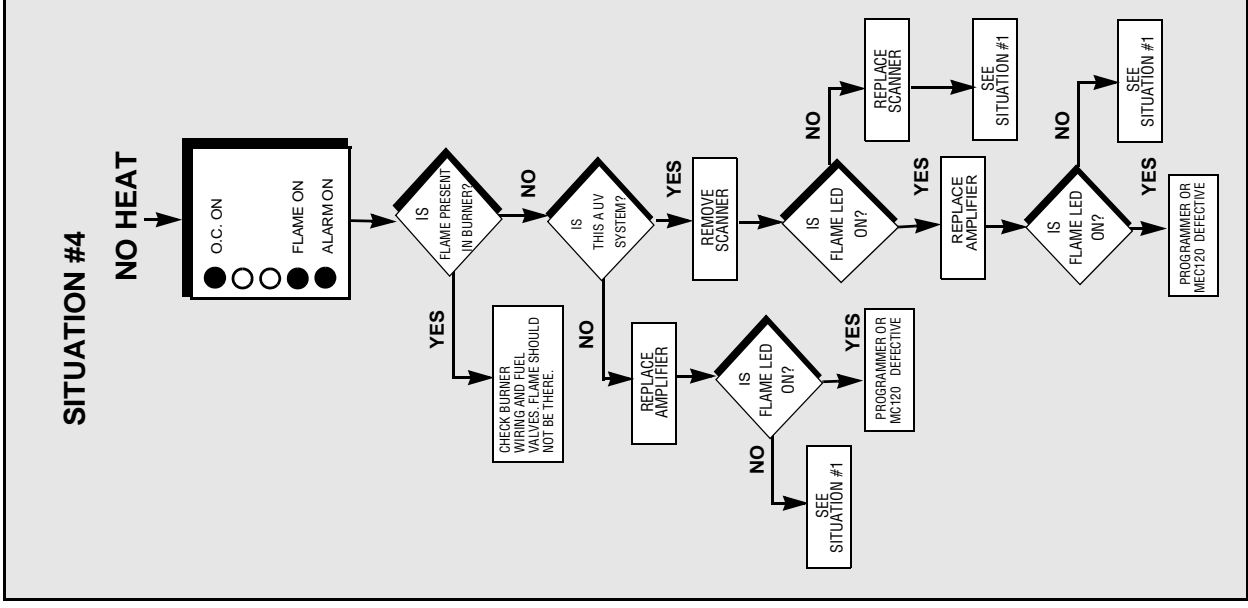
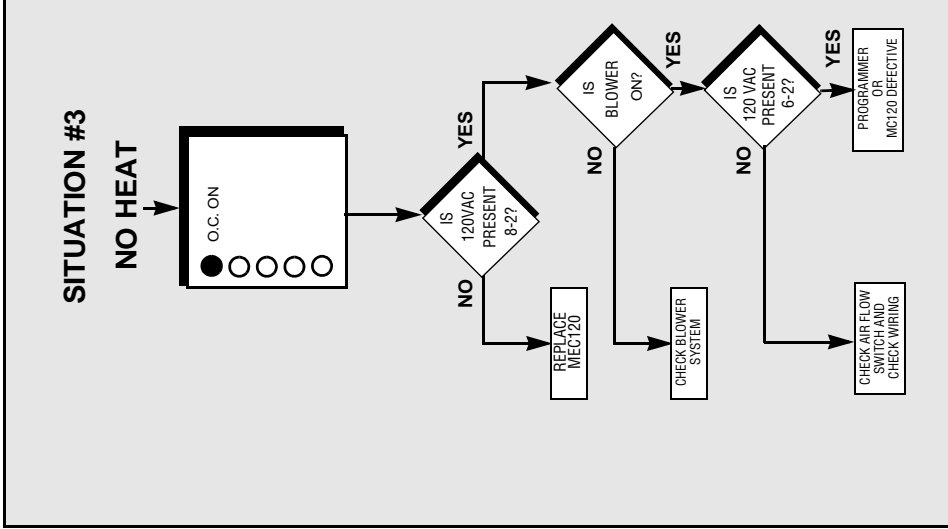
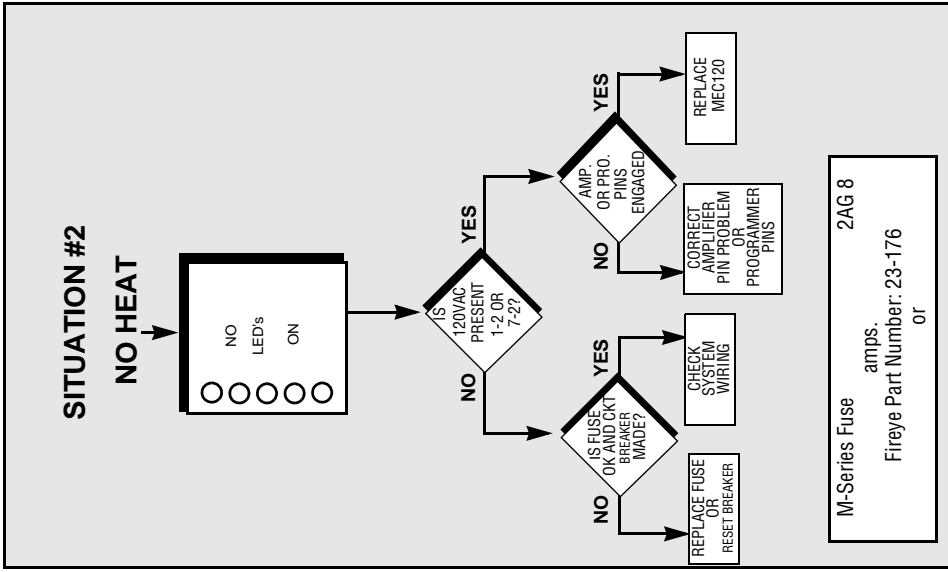


5. **IMPORTANT: When the test is completed, reconnect the spark ignition to Terminal #4.**

Microm SERVICE GUIDE

SITUATION #1 NORMAL LOCKOUT





TROUBLESHOOTING TIPS

1. Verify that there is a solid earth ground wire brought to the panel that the Fireye base is mounted to.
2. In a rectification system, verify that terminal S1 is solidly earth grounded, and confirm that the flame rod is aligned so it doesn't droop near the ignition spark.
3. Confirm that there is no measurable voltage present between the ground screw and terminal 2 (neutral).
4. Confirm that the 120 volt AC supply has its neutral leg earth grounded at the supply, (floating isolation transformers can cause problems).
5. Confirm that the ignition transformer's secondary winding is solidly earth grounded. The grounding method is usually through the transformer case. Dirt, paint, loose mounting hardware, etc., can all be factors.
6. There may be a problem with transients in the main power supply. If you think this may be the problem, you may want to run a ground wire directly from the pilot assembly back to the electrical panel where the Fireye control is mounted.

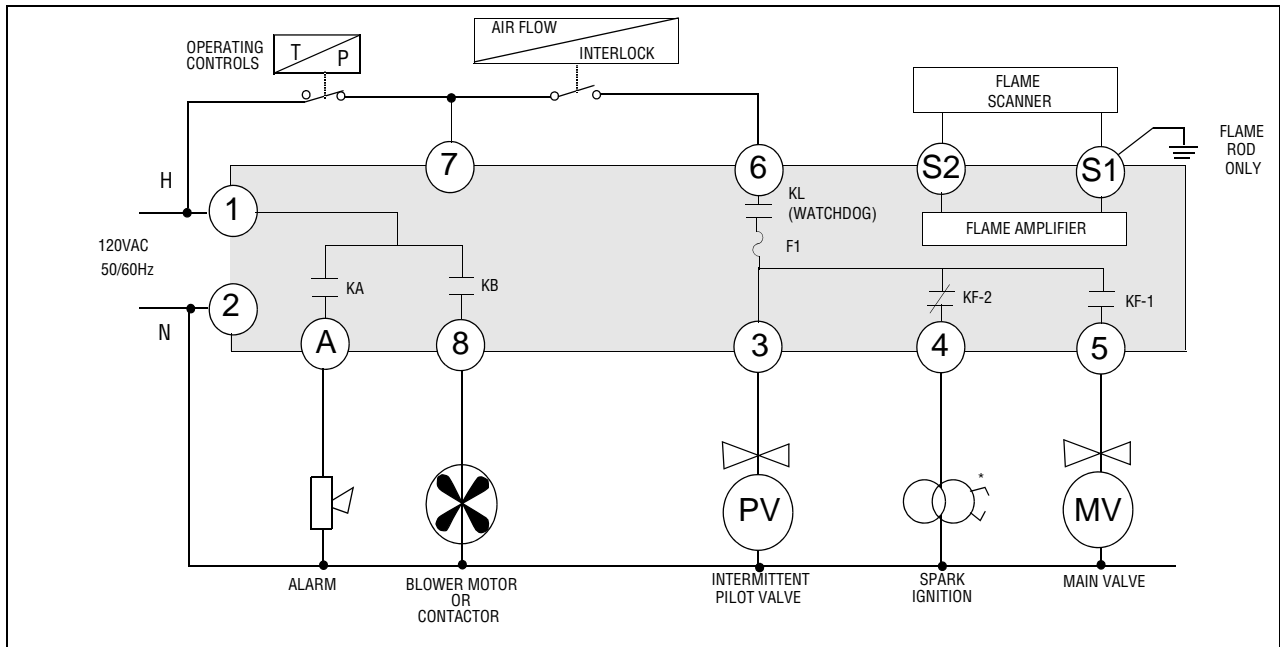
Wiring Arrangements

IMPORTANT: Use moisture resistant wire rated 90°C minimum.

CAUTION: When powered, 560 VAC across S1, S2 with MEUV4, MEUV1, MEUVS4 and MEUVS1; 260 VAC across S1, S2 with MERT4 and MERT1.

CAUTION: Control wiring procedures which deviate from those shown in the diagrams may bypass safety functions designed in the control. Check with the Fireye Representative before deviating from the recommended wiring diagrams.

FIGURE 6. WIRING ARRANGEMENT FOR PILOT IGNITED BURNERS USING MEP100 AND MEP200 SERIES PROGRAMMERS



* For intermittent ignition, connect to terminal 3

FIGURE 7. WIRING ARRANGEMENT FOR PILOT IGNITED BURNERS AND PROVISION FOR MAIN FLAME STABILIZATION USING MEP236 SERIES PROGRAMMERS

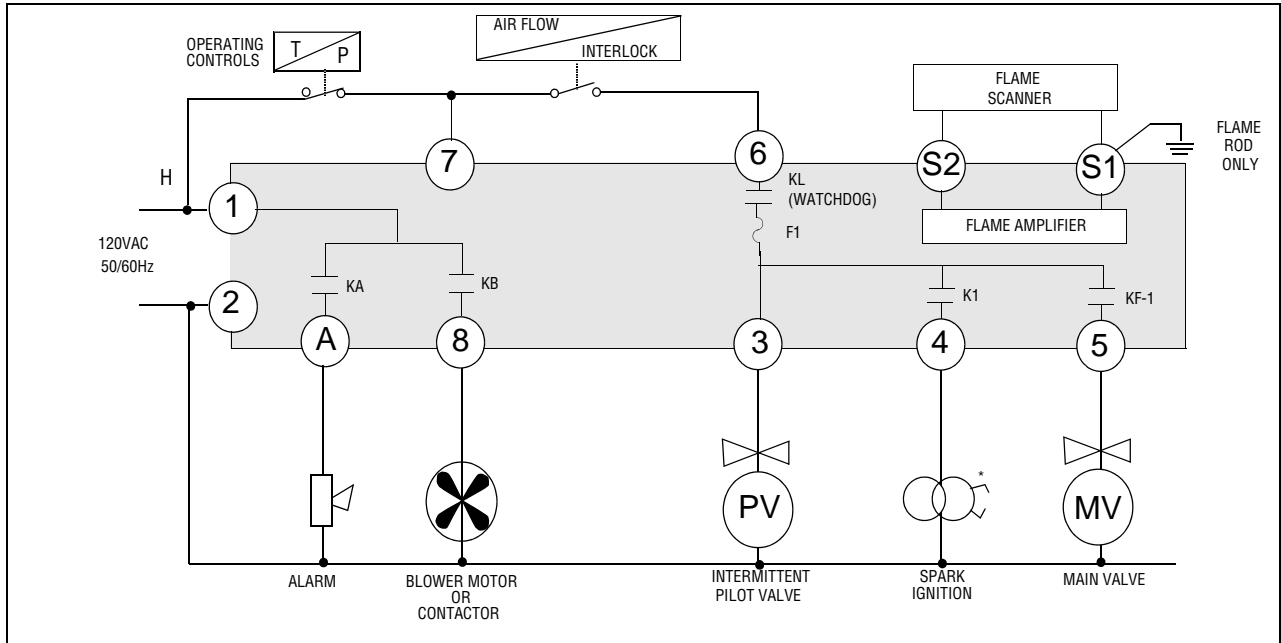
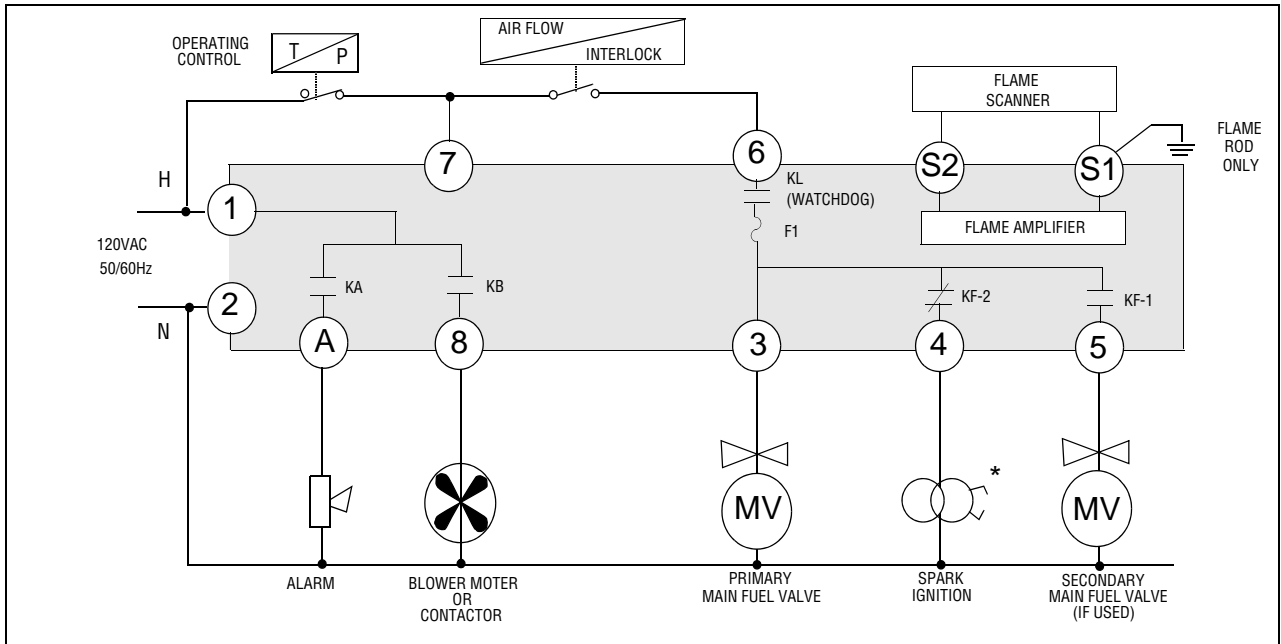
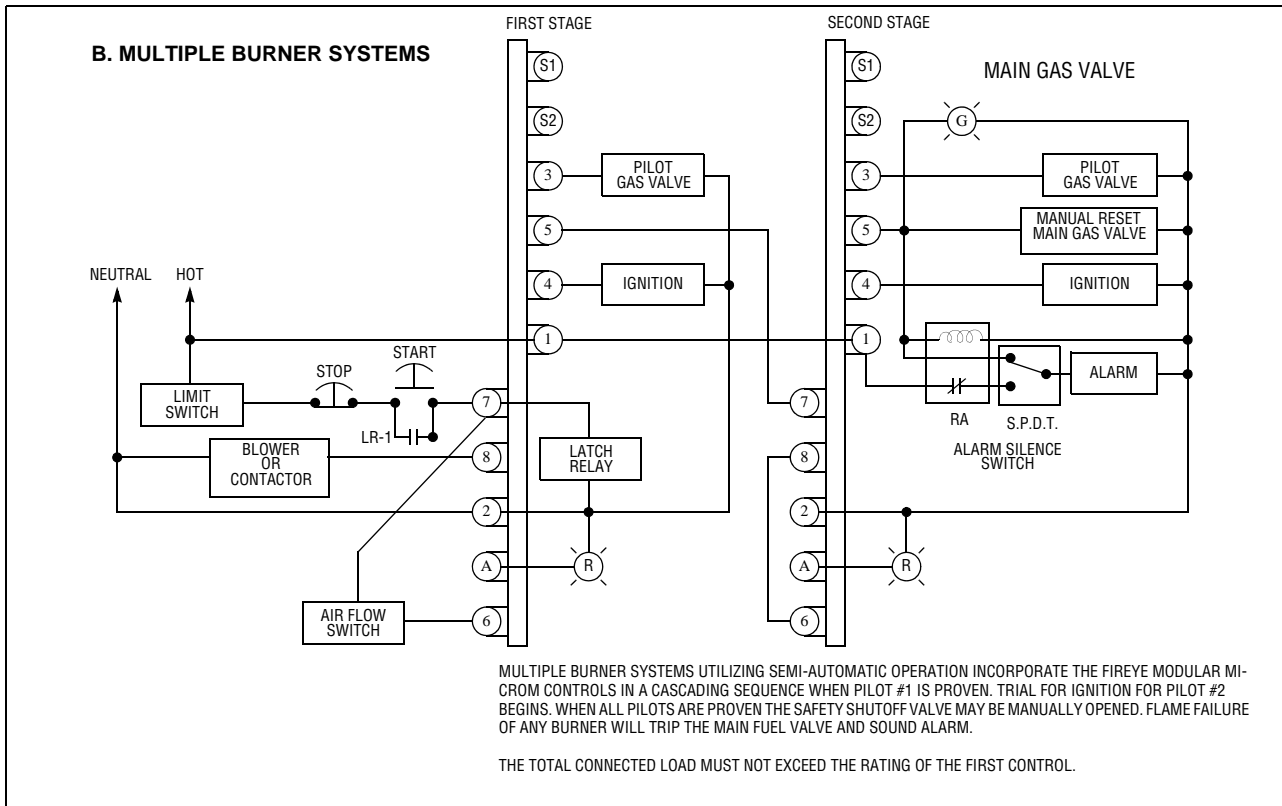
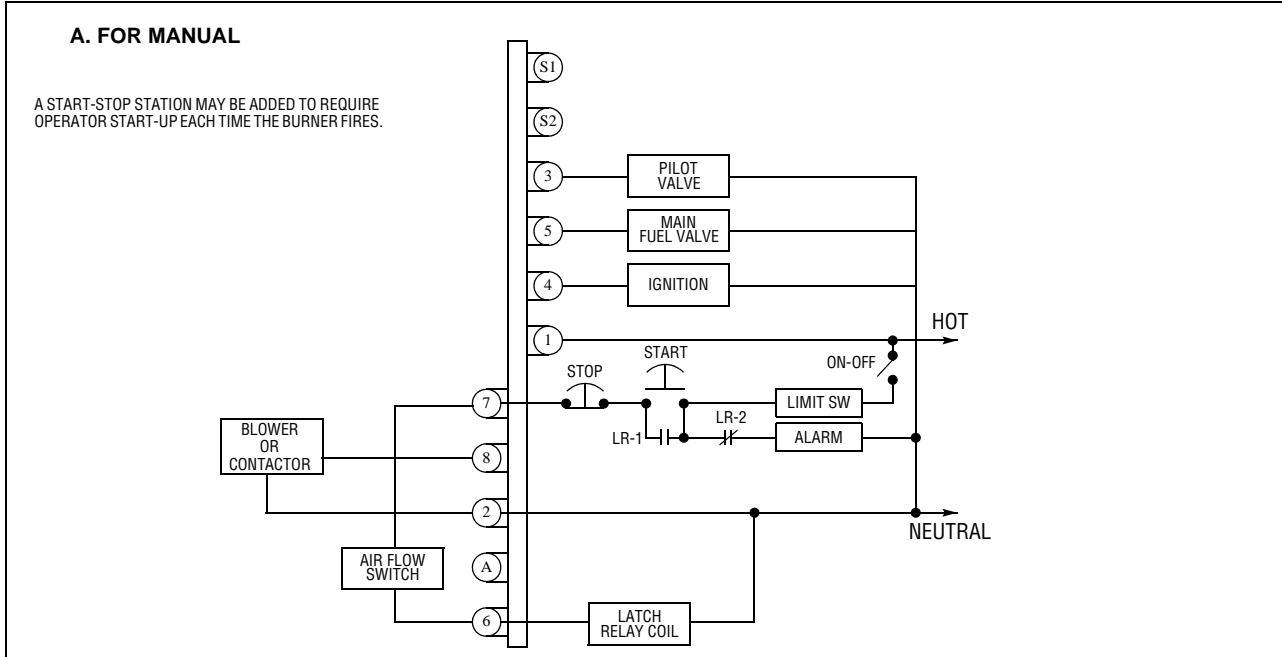


FIGURE 8. WIRING ARRANGEMENT FOR DIRECT SPARK IGNITED BURNERS, TWO STAGE OPERATION USING MEP100 AND MEP200 SERIES PROGRAMMERS



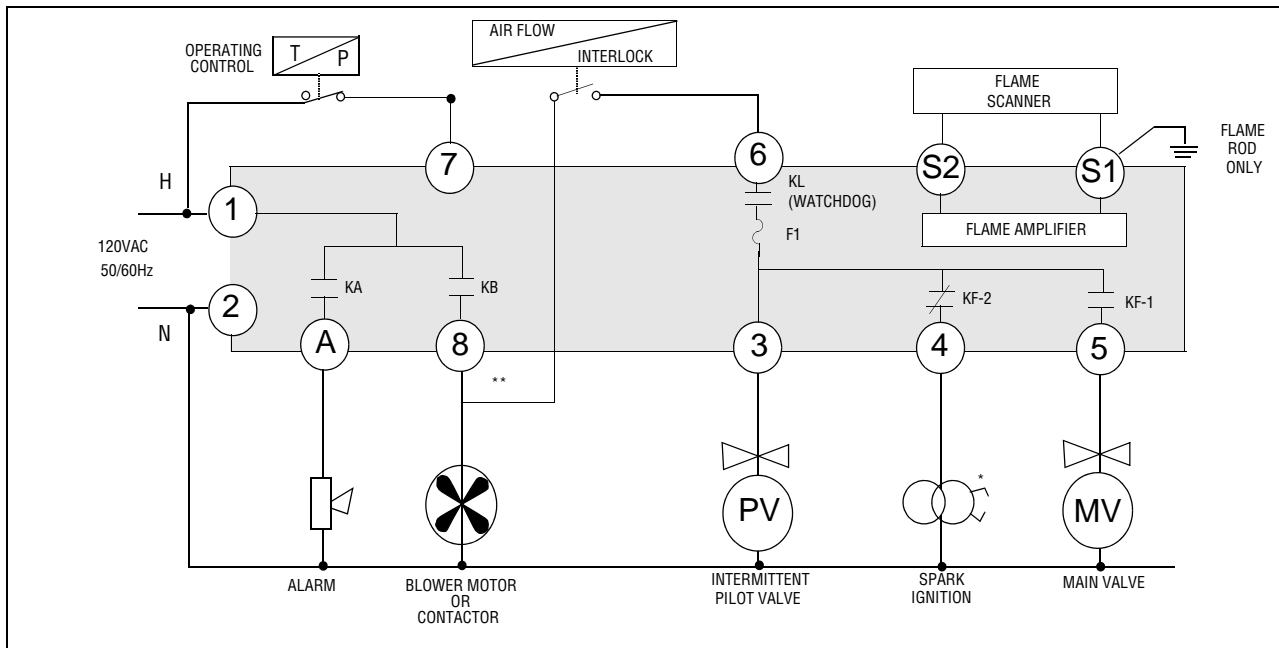
* For intermittent ignition, connect to terminal 3

FIGURE 13. ALTERNATE WIRING ARRANGEMENT FOR MEP CONTROLS



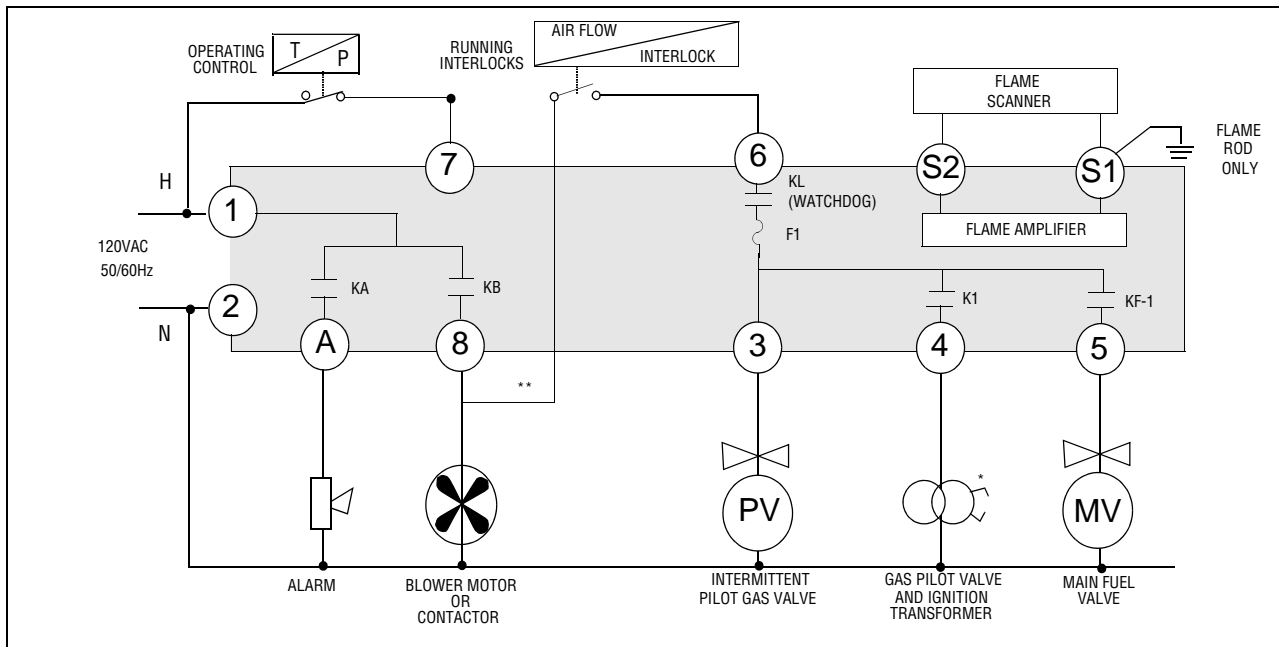
IMPORTANT: Use moisture resistant wire rated 90°C minimum.

FIGURE 14. BACKWARD COMPATIBLE WIRING USING MEP100 AND MEP200 SERIES PROGRAMMERS (PILOT IGNITED BURNERS).



- * For intermittent ignition, connect to terminal 3
- ** Combined current from Terminal 8 must not exceed 9.8 Amps

FIGURE 15. BACKWARD COMPATIBLE WIRING USING MEP500 SERIES PROGRAMMERS (PILOT IGNITED BURNERS)



- * For intermittent ignition, connect to terminal 3
- ** Combined current from Terminal 8 must not exceed 9.8 Amps



SUGGESTED GROUNDING RULES

The MicroM system, being microprocessor based, requires a ground system that provides a zero-voltage reference. The voltage measured from L2 to all other terminals except L1 should be 0 volts.

1. The most effective ground is to run the ground wire in the same raceway as the hot and neutral from the main distribution service panel (not intermediate sub-panels) to the burner control panel and insure that this ground wire is well bonded to the control panel.
2. The wiring base of the MicroM must have earth ground providing a connection between the sub-base and the control panel or the burner.
3. The earth ground wire must be capable of conducting the current to blow the 20A fuse in event of an internal short circuit. A number 14 AWG copper conductor is adequate, wide straps or brackets are preferred rather than lead wires.
4. The ground path needs to be low impedance (less than 1 ohm) to the equipment frame which in turn needs a low impedance to earth ground. For a ground path to be low impedance at RF frequencies, the connection must be made with minimum length conductors having maximum surface areas.
5. All connections should be free of nonconductive coatings and protected against rust.
6. Utilizing conduit as a means of providing a ground must be avoided.
7. Installing ground rods at the burner control panel defeats the purpose of a single point ground as described above and could also present a safety hazard.

INSTALLATION

Do not run high voltage ignition transformer wires in the same conduit with flame detection wiring.

Do not run scanner wires in a conduit with line voltage circuits.

Ensure the frame of the ignition transformer is securely connected to control panel frame or preferably the burner frame.

The MicroM chassis (MEC120) contains a transient suppressing device connected internally across hot and neutral and then to the internal bracket. For this to be effective the chassis must be screwed securely into the wiring subbase.

REMOTE DISPLAY

When the ED510 is to be remotely mounted on the front of the control panel, the ED580 cable must contain a ferrite core, currently supplied by Fireeye with the cable. The cable end with the ferrite core must be mounted at the control end. High frequency currents flow more to the surface of the conductor. The 60 Hz ground system, properly designed, has sufficient low-impedance at 60 Hz to maintain all metal surfaces at the same ground reference. But, this same system is unable to provide this at higher frequencies, because of the increased impedance caused by the 'skin effect'. The purpose of the ferrite core is to provide a high-impedance at these higher frequencies and absorb or block this unwanted energy.

Care must be taken not to route the ED580 cable in close proximity to any starter motor contactors located in the control panel or across any high voltage ignition wires. Refer to Fireeye bulletin E-8002 for proper installation.



COMMUNICATIONS

When interfacing Fireye controls to a communication system, be it an E500, PLC or other microprocessor based device, ferrite cores should also be utilized. Proper twisted shielded pair cable must be utilized. In a multi-drop system, the shields should be tied together within a cabinet and not to any ground point. The shield at the source end of the cable of the multi-drop connection can then be terminated to ground. Source end is defined as the originating end of the communication system

Care must be taken not to route communication cables in close proximity to any starter motor contactors located in the control panel or across any high voltage ignition wires. Refer to Fireye bulletin E-8002 for proper installation.

SCANNERS

The armored cable supplied with the Ultra-Violet and Infrared scanners should be connected to equipment by means of a good mechanical connection such as a conduit fitting. It may be necessary to utilize heat insulator (P/N 35-69) to isolate the sensing end of the scanner from boiler ground. Care must be taken not to route the scanner cable across the high voltage ignition cable. The high energy ignition cable should be checked periodically for cracking, connections and aging.

In applications using flame rod units and the MERT amplifier, it may be beneficial to route a separate return wire from the S1 terminal to the flame rod assembly. This will minimize the effects of transient currents flowing into the MicroM.

In all cases, scanner wires should be routed in separate conduit and not joined with any high voltage AC or ignition cables.

MAINTENANCE

Periodically, the spark electrode should be inspected for proper gapping and cracked ceramics. At ignition time, the high energy from the ignition transformer will attempt to conduct to the point of least resistance and with an improper spark gap, where the conduction takes place will no longer be controlled.

The VA rating of the control transformer must be sized to handle the inrush currents of the pilot solenoid and ignition transformer at PTFI and then the inrush currents of the main fuel valve assembly at MTFI time.

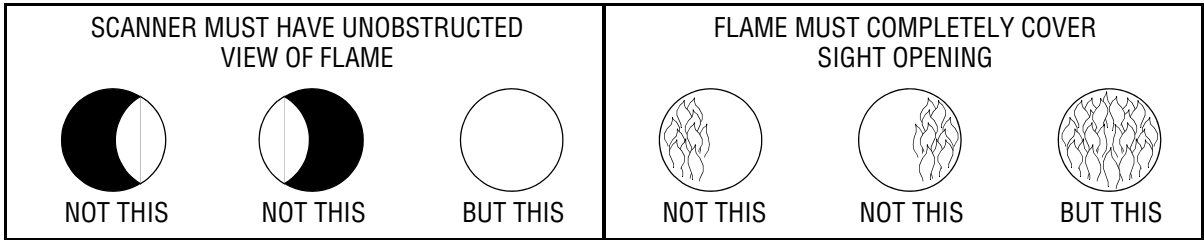
Inspect neatness of wiring in junction boxes and cabinets. It is best to have connections short and direct and also not having wires bunched up and tied off. Also, connections should be periodically inspected for tightness and corrosion.

INSTALLATION - UV SCANNERS

Where possible, obtain the burner manufacturer's instructions for mounting the scanner. This information is available for most standard burners. The scanner mounting should comply with the following general instructions:

1. Position the UV1A, UV2 scanner within 30 inches of the flame to be monitored; the 45UV5 within 72 inches, closer if possible.
2. Select a scanner location that will remain within the ambient temperature limits of the UV Scanner. If cooling is required, use an insulating coupling (Fireye P/N 35-69 for UV1A, UV2 Scanners, P/N 35-127-1 for 45UV5) to reduce conducted heat.
3. The UV1A, UV2, 45UV5 Scanners are designed to seal off the sight pipe up to 1 PSI pressure. Higher furnace pressures should be sealed off. To seal off positive furnace pressure up to 100 PSI for UV1A, UV2 Scanners, install a quartz window coupling (#60-1257) For 45UV5 Scanners, use #60-1199 coupling. Add cooling air to reduce the scanner sight pipe temperature.
4. Install the scanner on a standard NPT pipe (UV1A: 1/2", UV2: 3/8", 45UV5: 1") whose position is rigidly fixed. If the scanner mounting pipe sights through the refractory, do not extend it more

than halfway through. Swivel flanges are available if desired (#60-302 for UV1A, UV2 Scanners, #60-1664-3 for 45UV5). The sight pipe must permit an unobstructed view of the pilot and/or main flame, and both pilot and main flames must completely cover the scanner field of view.

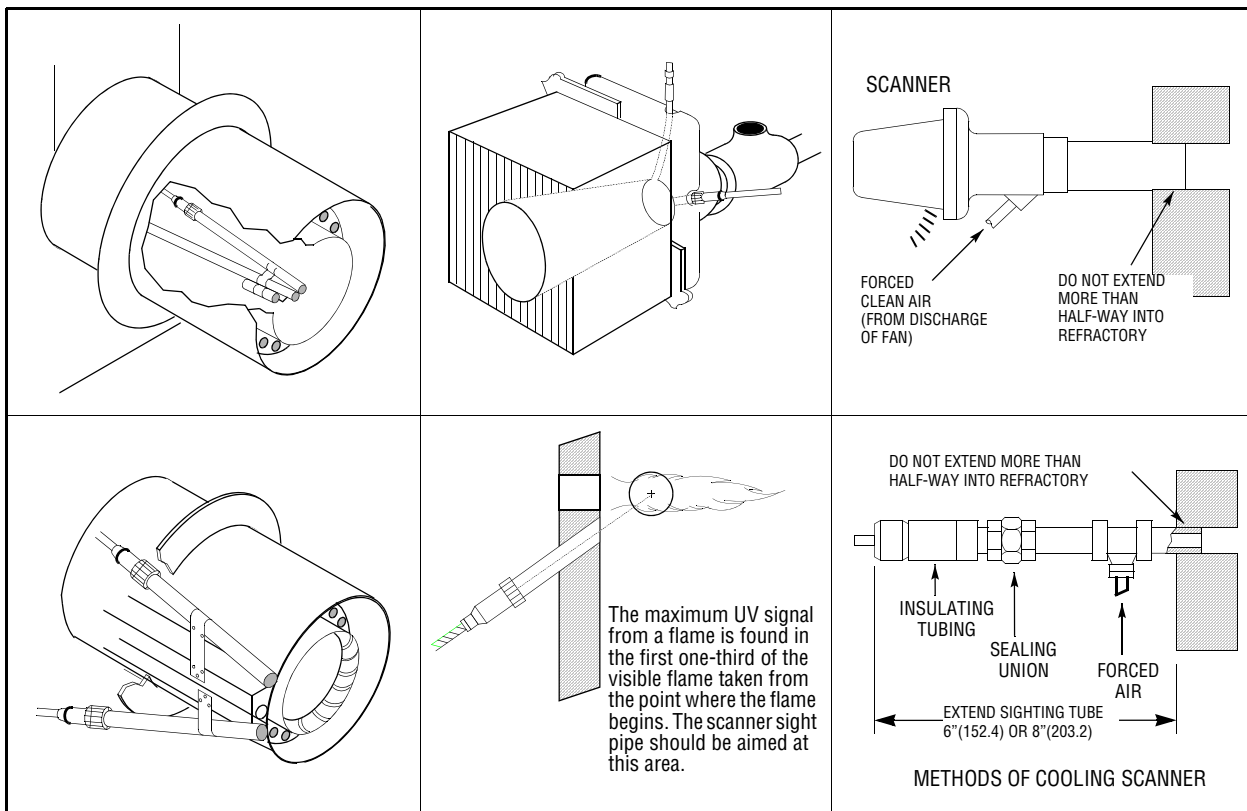


- Smoke or unburned combustion gases absorb ultraviolet energy. On installations with negative pressure combustion chambers, a small hole drilled in the UV1A, UV2 sight pipe will assist in keeping the pipe clean and free from smoke. For positive pressure furnaces, provide clean air to pressurize the sight pipe, if necessary.
- Two UV1A or UV2 Scanners may be installed on the burner if it is necessary to view two areas to obtain reliable detection of the flame. They should be wired in parallel. Only one repetitive self-checking 45UV5 Scanner may be installed on a burner.

To increase scanner sensitivity with UV1A, UV2 Scanners, a quartz lens permits location of the scanner at twice the normal distance. Use 1/2" x 1 1/2" pipe nipple between UV1A Scanner and the coupling. Use 3/8" pipe nipple and a 1/2" x 3/8" bushing on UV2 installations.

- Request the assistance of any Fireye field office for recommendations of a proper scanner installation on a non-standard application.

TYPICAL SCANNER INSTALLATIONS



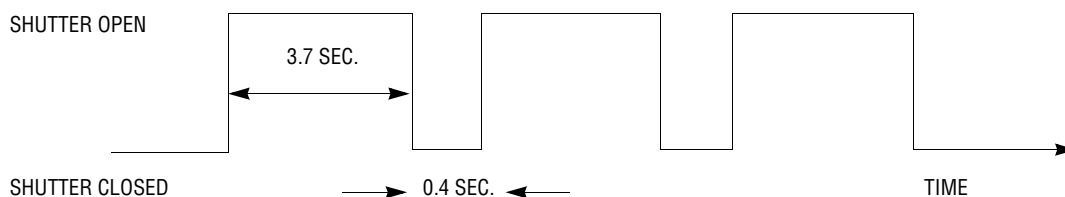
OPERATION — 45UV5 SELF-CHECKING UV SCANNER

Self-checking ultraviolet scanners should be used in applications where burner firing operation is continuous or where the burner is on for long periods of time without recycling. In addition, ultraviolet self-checking systems are mandatory in some locations.

The operation of this type of system consists of maintaining the flame scanning capability at all times while also proving that the ultraviolet tube is firing properly. This is done periodically by mechanically closing off the sight of the UV tube and checking to make sure that the flame signal goes away. A shutter assembly in the 45UV5 scanner performs this function. The diagram below explains the process further.

If the shutter assembly in the scanner fails, the tube is faulty, or there is insufficient power to the scanner, the MicroM will LOCKOUT and display the following message LOCKOUT CHECK SCANNER. The ultraviolet tube is replaceable (P/N 4-314-1).

A lockout will result if a minimum signal is detected for three consecutive shutter closed periods.



WIRING - UV SCANNERS

To connect the scanner to the control, the UV1A Scanner is supplied with 36" or 72" of flexible cable.

The 45UV5 is supplied with four 72 inch lead wires. Install them in a suitable length of flexible armor cable and connect it to the control. A conduit connector is supplied with the scanner. Connect black wires (shutter) to terminals L1, L2; red wires (UV tube) to terminals S1, S2.

If it is necessary to extend the scanner wiring, the following instructions apply:

Scanner wires should be installed in a separate conduit. The wires from several scanners may be installed in a common conduit.

1. Selection of Wire
 - a. Wiring: For extended scanner wiring up to 500 feet, and for shorter lengths to reduce signal loss, use a shielded wire (Belden 8254-RG62 coaxial cable, or equal) for **each scanner wire** of UV1A, UV2 and **each red wire** of the 45UV5. **The ends of the shielding must be taped and not grounded.**
 - b. Asbestos insulated wire should be avoided.
 - c. Multiconductor cable is not recommended without prior factory approval.
2. High voltage ignition wiring should not be installed in the same conduit with flame detector wires.

INSTALLATION—INFRARED SCANNER TYPE 48PT2

Where possible, obtain the burner manufacturer's instructions for mounting the scanner, otherwise proceed as follows:

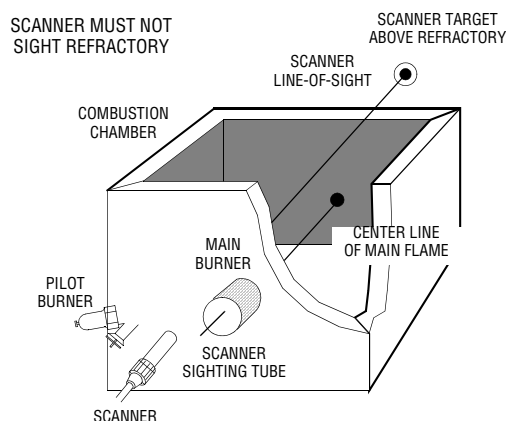
A single scanner is used to detect both pilot and main flames. The sight pipe on which the scanner mounts must be aimed so that the scanner sights a point at the intersection of main and pilot flames.

Proper scanner positioning must assure the following:

1. Reliable pilot flame signal.
2. Reliable main flame signal.
3. A pilot flame too short or in the wrong position to ignite the main flame reliably, must not be detected.
4. Scanner must have an unobstructed view of flame being monitored.
5. Flame being monitored must completely cover the scanner field of view.
6. To avoid nuisance shutdowns, it is important to avoid sighting hot refractory and to keep scanner temperature low (below 125° F) (50°C).

When the proper position has been established, drill a hole through the furnace wall and install a 4" to 8" length of threaded 1/2" black iron pipe on which to mount the 48PT2 scanner.

7. When satisfactory sighting position has been confirmed by operating tests, the sight tube should be firmly welded in place.



Wiring

Attach the cable supplied with the scanner to a junction box. Splice the cable wires to a pair of wires not smaller than #18. Install the complete run in a separate conduit to the control. **Continuous conduit bonding between scanner and the control is mandatory!** Scanner may be located up to 100 feet from control. Do not pass scanner wiring through any junction box containing other wires. Do not run other wires through scanner conduit. Asbestos insulated wire should be avoided.

Keeping the Scanner Cool

The Infrared Scanner (Temperature Limit 125° F) should never get too hot to grasp comfortably in the hand. Keep the scanner cool by one or more of the following methods.

1. Use 6" to 8" length of pipe between scanner and hot furnace front plate.
2. Use insulating tube (P/N 35-69) on the end of the iron pipe.
3. Force air into sighting tube. Use Fireeye Sealing Union (P/N 60-801).
4. Make sure sighting tube does not extend more than halfway into refractory wall.

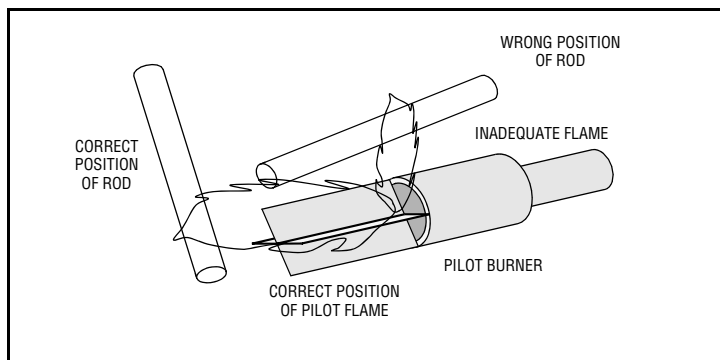
INSTALLATION - 69NDI FLAME ROD

The 69NDI flame rod proves a gas pilot flame and/or main gas flame. It is a spark plug type unit consisting of 1/2" NPT mount, a KANTHAL flame rod, a glazed porcelain insulating rod holder and a spark plug connector for making electrical connections. The 69NDI is available in 12", 18" or 24" lengths.

The flame rod may be located to monitor only the gas pilot flame or both the gas pilot and main gas flames. It is mounted on a 1/2" NPT coupling.

The following instructions should be observed:

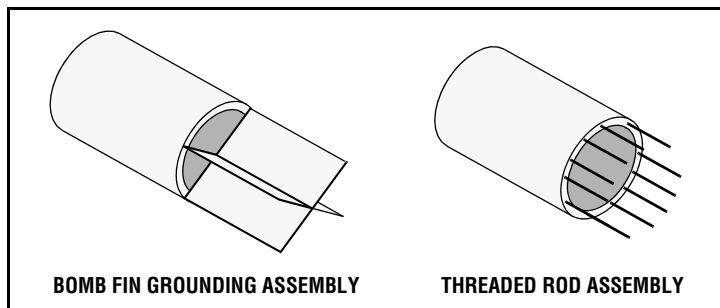
1. Keep flame rod as short as possible.
2. Keep flame rod at least 1/2" from any refractory.
3. Flame rod should enter the pilot flame from the side so as to safely prove an adequate pilot flame under all draft conditions.
4. If the flame is nonluminous (air and gas mixed before burning), the electrode tip should extend at least 1/2" into the flame, but not more than halfway through.



5. If the flame is partly luminous, the electrode tip should extend only to the edge of the flame. It is not necessary to maintain absolutely uninterrupted contact with the flame.
6. It is preferable to angle the rod downward to minimize the effect of sagging and to prevent it from coming in contact with any object.
7. An adequate grounding surface for the flame must be provided. The grounding surface in actual contact with the flame must be at least four times greater than the area of the portion of the flame rod in contact with the flame. It is essential to adjust the flame rod and ground area ratio to provide a maximum signal reading.

NOTE: Interference from the ignition spark can alter the true signal reading by adding to, or subtracting from it. This trend sometimes may be reversed by interchanging the primary wires (line voltage) to the ignition transformer. This interference can also be reduced by the addition of grounded shielding between the flame rod and ignition spark.

8. Proven types of flame grounding adapters, as shown below, may be used to provide adequate grounding surface. High temperature stainless steel should be used to minimize the effect of metal oxidation. This assembly may be welded directly over the pilot or main burner nozzle.





MAINTENANCE

Type 48PT2 Infrared and Type UV1A, UV2 and 45UV5 Ultraviolet Scanners

The viewing area of the scanner must be kept clean. Even a small amount of contamination will reduce the flame signal reaching the detector by a measurable amount. Wipe the viewing area routinely using a soft cloth dampened with concentrated detergent.

- Type 48PT2 Scanners include a replaceable #4-263-1 Firetron cell.
- Type 45UV5 Scanners include a replaceable #4-314-1 UV tube.

Type 69ND1 Flame Rod

The flame rod and its insulator should be kept clean by washing routinely with soap and water. Rods should be routinely replaced as they oxidize.

Flame Signal Strength

Routine observation of the flame signal strength will forewarn any deterioration in the capability of the flame detector or its application.

Contacts

There are no accessible contacts in the MicroM. Where contacts are used, their design assures long trouble-free life when the load circuits are maintained within the published load ratings.

Humidity

In areas of high humidity, the control chassis should be removed and placed in a dry atmosphere when the system is expected to be out of service for an extended period.

Periodic Safety Check

It is recommended that a procedure be established to test the complete flame safeguard system at least once a month. This test should verify the proper operation of all limit switches and safety interlocks as well as flame failure protection and fuel safety shutoff valve tightness.

Rotation

It is recommended that control and scanner units purchased as spares be installed periodically to ensure proper operation.

FIGURE 16. Mounting 45UV5 Scanner

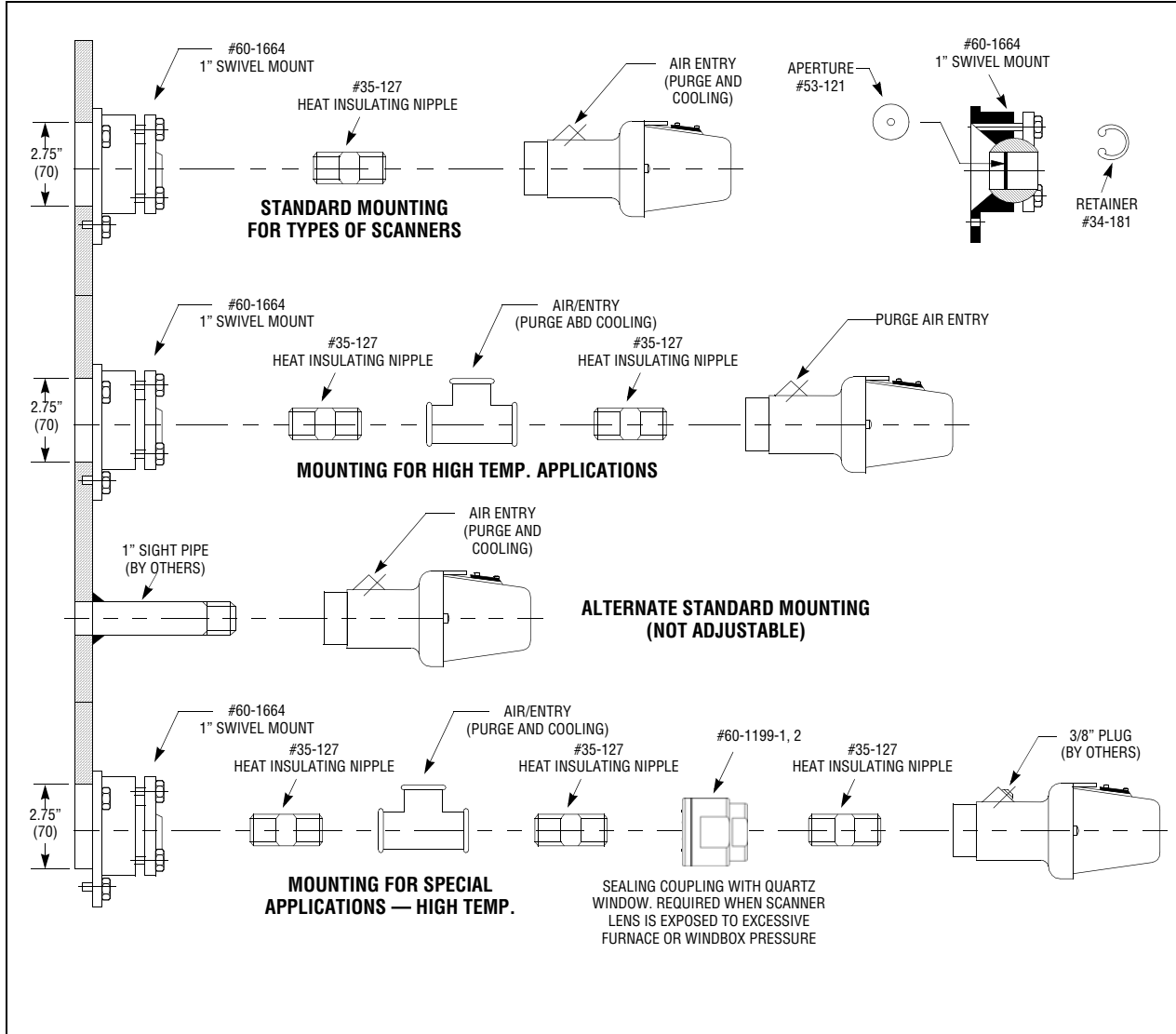


FIGURE 17. UV8A Scanner

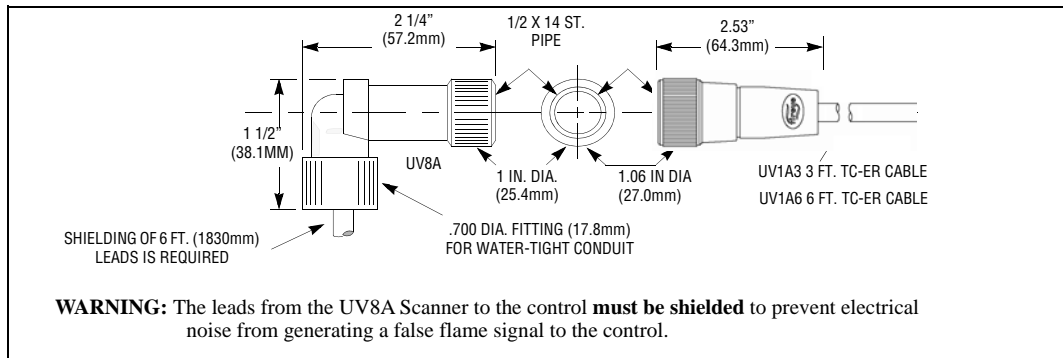
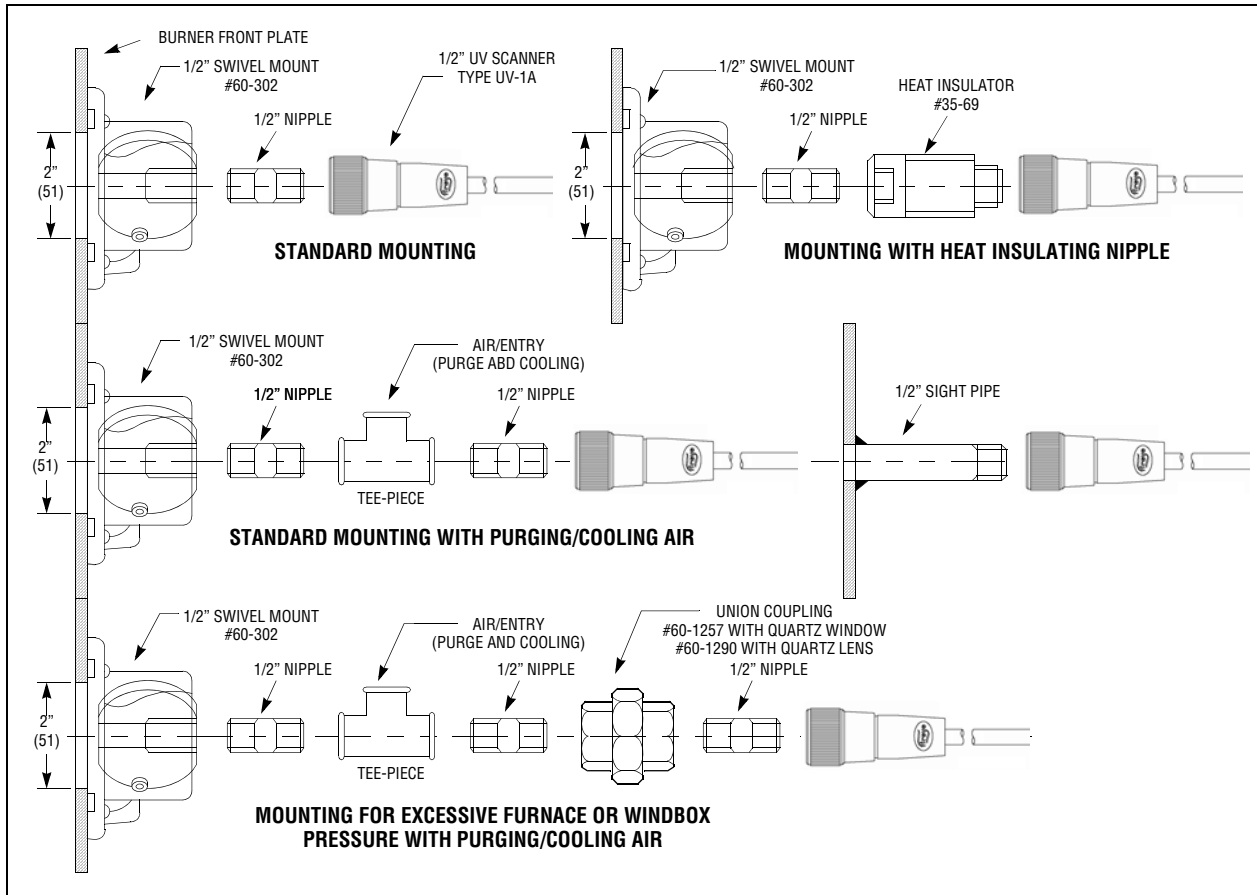


FIGURE 18. Mounting UV1A/UV1B Scanners





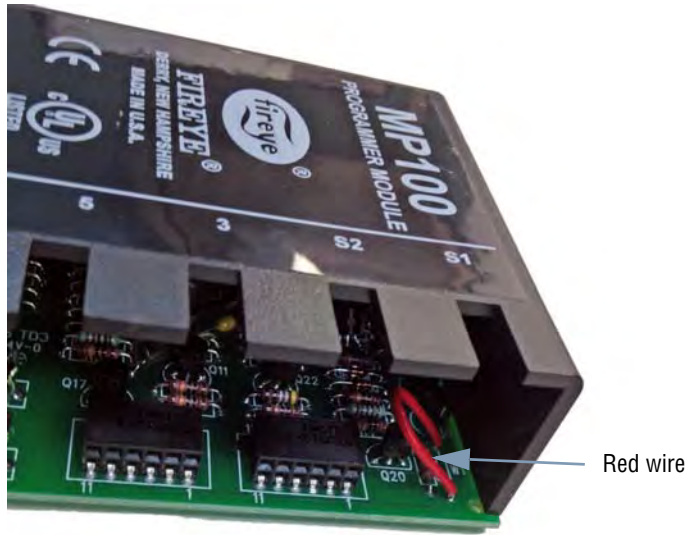
M-SERIES TO M-SERIES II TO MICROM CROSS REFERENCE LISTING

M-SERIES	M-SERIES II REPLACEMENT MODULES				MicroM REPLACEMENT MODULES			
Part Number	Chassis	Amplifier	Programmer	Programmer Dipswitch #8	Chassis	Amplifier	Programmer	Programmer Dipswitch #6
UVM1D	MC120	MAUV1T	MP100	N/A	MEC120	MEUV1	MEP100	N/A
UVM1F	MC120	MAUV1	MP100	N/A	MEC120	MEUV4	MEP100	N/A
TFM1D	MC120	MART1T	MP100	See Note #1	MEC120	MERT1	MEP100	N/A
TFM1F	MC120	MART1	MP100	See Note #1	MEC120	MERT4	MEP100	N/A
UVM2	MC120	MAUV1	MP230	OFF	MEC120	MEUV4	MEP230	C
TFM2	MC120	MART1	MP230	OFF	MEC120	MERT4	MEP230	C
UVM3	MC120	MAUV1	MP230	ON	MEC120	MEUV4	MEP230	O
TFM3	MC120	MART1	MP230	ON	MEC120	MERT4	MEP230	O
UVM3H	MC120	MAUV1	MP230H	ON	MEC120	MEUV4	MEP230H	O
TFM3H	MC120	MART1	MP230H	ON	MEC120	MERT4	MEP230H	O
UVM5	MC120	MAUV1	MP560	ON	MEC120	MEUV4	MEP560	O
UVM6	MC120	MAUV1	MP560	See Note #2	MEC120	MEUV4	MEP560	C
- N/A — Not Applicable - Programmer Dipswitches apply to MP230H, and MP560 only. - Dipswitch #8 sets Recycle / Non-Recycle Operation. - MP560 Programmer Module has "Check-Run" Switch. - Note #1: For Standing Pilot, clip out red jumper on MP100. See fig 19 on page 55. - Note #2: Dipswitch #8 ON when red jumper of UVM6 is clipped.					- N/A — Not Applicable - Programmer Dipswitches apply to MEP200, and MEP500 Series Programmers - Dipswitch #6 sets Recycle / Non-Recycle Operation. (O = Non-Recycle, C = Recycle) - MEP500 Series Programmer Module has "Check-Run" Switch			

PURGE	PTFI	M-Series II PROGRAMMER DIPSWITCH SETTINGS							MicroM PROGRAMMER DIPSWITCH SETTINGS		
TIME	TIME	#1	#2	#3	#4	#5	#6	#7	#1	#2	#4
7	5	ON	OFF	OFF	OFF	OFF	ON	OFF	C	C	C
7	5	OFF	ON	OFF	OFF	OFF	ON	OFF	C	C	C
30	5	OFF	OFF	ON	OFF	OFF	ON	OFF	O	C	C
7	10	OFF	ON	OFF	OFF	OFF	OFF	ON	C	C	O
90	5	OFF	OFF	ON	ON	OFF	ON	OFF	O	O	C
30	10	OFF	OFF	ON	OFF	OFF	OFF	ON	O	C	O
60	10	OFF	OFF	OFF	ON	OFF	OFF	ON	C	O	O
90	10	OFF	OFF	ON	ON	OFF	OFF	ON	O	O	O
- Dipswitches #1 through #5 set Purge Timing - Dipswitches #6 and #7 set TFI Timing									- Dipswitches #1 through #2 set Purge Timing - Dipswitch #4 sets TFI Timing		

M-SERIES TIMING CARDS	PURGE TIME	PTFI TIME
MT55	5	5
MT74	7	4
MT304	30	4
MT710	7	10
MT904	90	4
MT3010	30	10
MT6010	60	10
MT9010	90	10

FIGURE 19. Red jumper wire







NOTICE

When Fireeye products are combined with equipment manufactured by others and/or integrated into systems designed or manufactured by others, the Fireeye warranty, as stated in its General Terms and Conditions of Sale, pertains only to the Fireeye products and not to any other equipment or to the combined system or its overall performance.

WARRANTIES

FIREYE guarantees for *one year from the date of installation or 18 months from date of manufacture* of its products to replace, or, at its option, to repair any product or part thereof (except lamps and photocells) which is found defective in material or workmanship or which otherwise fails to conform to the description of the product on the face of its sales order. **THE FOREGOING IS IN LIEU OF ALL OTHER WARRANTIES AND FIREYE MAKES NO WARRANTY OF MERCHANTABILITY OR ANY OTHER WARRANTY, EXPRESS OR IMPLIED.** Except as specifically stated in these general terms and conditions of sale, remedies with respect to any product or part number manufactured or sold by Fireeye shall be limited exclusively to the right to replacement or repair as above provided. In no event shall Fireeye be liable for consequential or special damages of any nature that may arise in connection with such product or part.



FIREYE
3 Manchester Road
Derry, New Hampshire 03038 USA
www.fireeye.com

MC-5000
MAY 10 2017
Supersedes JUNE 9, 2015

DC Motor Installation – Maintenance Instructions

When this motor is installed according to these instructions, it complies with the IEC Machinery Directive. Electromagnetic Compatibility (EMC) requirements for CE compliance are met when the incoming power is purely sinusoidal. For other power source types, refer to MN1383 "Recommended Practices for Installation for EC Directive 89/336/EEC Relating to EMC". These instructions are intended to complement, not replace, the information in MN605 Installation and Operation manual for "Integral Horsepower DC Motor".

Handling

The weight of the motor and shipping container will vary. Use correct material handling equipment to avoid injury. Use caution when removing the motor from its packaging. Sharp corners may exist on motor shaft, motor key, sheet metal and other surfaces.

Receiving

Inspect the motor for damage before accepting it. The Motor shaft should rotate freely with no rubs. Report any damage immediately to the commercial carrier that delivered your motor.

Safety Notice

Only qualified personnel trained in the safe installation and operation of this equipment should install this motor. When improperly installed or used, rotating equipment can cause serious or fatal injury. Equipment must be installed in accordance with the National Electrical Code (NEC), local codes and NEMA MG2 Safety Standards for Construction and Guide for Selection, Installation and Use of Electric Motors and Generators. Observe the following guidelines:

1. When eyebolts are provided, they must be fully tightened and are intended to lift the motor and its included accessories only.
2. Ground the motor according to NEC and local codes.
3. Provide a permanent guard to prevent accidental contact of body parts or clothing with rotating or moving parts or burns if motor is hot.
4. Shaft key must be secured before starting motor.
5. Do not apply power to the motor until the motor is securely mounted by its mounting holes.
6. This motor must only be connected to the proper line voltage, line frequency and load size.
7. Motors are not to be used for load holding or restraining unless a properly sized brake is installed. If a motor mounted brake is installed, provide proper safeguards for personnel in case of brake failure.
8. Disconnect all power services, stop the motor and allow it to cool before servicing.
9. For single phase motors, discharge the start and/or run capacitors before servicing.
10. Do not by-pass or render inoperative any safety device.
11. DC series wound motors must be protected from sudden loss of load causing overspeed damage. DC shunt wound motors must be protected from loss of field voltage which can result in damage.
12. Mounting bolts should be high tensile steel. Be sure to use a suitable locking device on each bolt (spring washer or thread lock compound).

Guarding

After motor installation is complete, a guard of suitable dimensions must be constructed and installed around the motor/gearmotor. This guard must prevent personnel from coming in contact with any moving parts of the motor or drive assembly but must allow sufficient cooling air to pass over the motor.

If a motor mounted brake is installed, provide proper safeguards for personnel in case of brake failure.

Brush inspection plates and electrical connection cover plates or lids, must be installed before operating the motor.

Motor Enclosure

ODP, Open drip proof motors are intended for use in clean, dry locations with adequate supply of cooling air. These motors should not be used in the presence of flammable or combustible materials. Open motors can emit flame and/or molten metal in the event of insulation failure.

TEFC, totally enclosed motors are intended for use where moisture, dirt and/or corrosive materials are present in indoor and outdoor locations.

Explosion proof motors, as indicated by the Underwriters Laboratories, Inc. label are intended for use in hazardous areas as specified by the NEC.

Mounting

Foot mounted machines should be mounted to a rigid foundation to prevent excessive vibration. Shims may be used if location is uneven.

Flange mounted machines should be properly seated and aligned. Note: If improper rotation direction is detrimental to the load, check rotation direction prior to coupling the load to the motor shaft.

For V-belt drive, mount the sheave pulley close to the motor housing. Allow clearance for end to end movement of the motor shaft. Do not overtighten belts as this may cause premature bearing failure or shaft breakage.

Direct coupled machines should be carefully aligned and the shaft should rotate freely without binding.

Wiring

Connect the motor as shown in the connection diagram. If this motor is installed as part of a motor control drive system, connect and protect the motor according to the control manufacturers diagrams. The wiring, fusing and grounding must comply with the National Electrical Code and local codes. When the motor is connected to the load for proper direction of rotation and started, it should start quickly and run smoothly. If not, stop the motor immediately and determine the cause. Possible causes are: low voltage at the motor, motor connections are not correct or the load is too heavy. Check the motor current after a few minutes of operation and compare the measured current with the nameplate rating.

Adjustment

The neutral is adjustable on some motors.

Noise

For specific sound power or pressure level information, refer to the Acoustic Performance of Standard Baldor TEFC or Super E TEFC motors in the Baldor Mechanical Design Standard MD950. The information is from test results and should be used with the national safety code for noise in the work place.

Vibration

This motor is balanced to NEMA MG1, Part 7 standard.

Lubrication

This is a ball or roller bearing motor. The bearings have been lubricated at the factory. Motors that do not have regrease capability are factory lubricated for the normal life of the bearings.

Lubricant

Baldor motors are regreased, normally with Polyrex EM (Exxon Mobil). If other greases are preferred, check with a local Baldor Service Center for recommendations.

Relubrication Intervals (For motors with regrease capability)

New motors that have been stored for a year or more should be relubricated. Lubrication is also recommended at these intervals:

Table 1 Relubrication Interval

NEMA (IEC) Frame Size	Rated Speed (RPM)		
	3600	1800	1200
Up to 210 incl. (132)	5500Hrs.	12000Hrs.	18000Hrs.
Over 210 to 280 incl. (180)	3600Hrs.	9500Hrs.	15000Hrs.
Over 280 to 360 incl. (225)	*2200Hrs.	7400Hrs.	12000Hrs.
Over 360 to 5000 incl. (300)	*2200Hrs.	3500Hrs.	7400Hrs.

* Lubrication interval for 6313 or 6314 bearings that are used in 360 through 5000 frame, 2 pole motors. If roller bearings are used, bearings must be lubricated more frequently, divide the relubrication interval by 2.

Table 2 Service Conditions

Severity of Service	Ambient Temperature Maximum	Atmospheric Contamination	Type of Bearing
Standard	40° C	Clean, Little Corrosion	Deep Groove Ball Bearing
Severe	50° C	Moderate dirt, Corrosion	Ball Thrust, Roller
Extreme	>50° C* or Class H Insulation	Severe dirt, Abrasive dust, Corrosion	All Bearings
Low Temperature	<-30° C**		

* Special high temperature grease is recommended.

** Special low temperature grease is recommended.

Table 3 Lubrication Interval Multiplier

Severity of Service	Multiplier
Standard	1.0
Severe	0.5
Extreme	0.1
Low Temperature	1.0

Table 4 Amount of Grease to Add

Frame Size NEMA (IEC)	Bearing Description (Largest bearing in each frame size)			
	Bearing	OD D mm	Width B mm	Weight of grease to add ounce (gram)
Up to 210 incl. (132)	6307	80	21	0.30 (8.4)
Over 210 to 280 incl. (180)	6311	120	29	0.61 (17.4)
Over 280 to 360 incl. (225)	6313	140	33	0.81 (23.1)
Over 360 to 500 incl.(300)	NU322	240	50	2.12 (60.0)

Weight in grams = 0.005 DB

Procedure

Clean the grease fitting (or area around grease hole, if equipped with slotted grease screws). If motor has a purge plug, remove it. Motors can be regreased while stopped (at less than 80°C) or running.

Apply grease gun to fitting (or grease hole). Too much grease or injecting grease too quickly can cause premature bearing failure. Slowly apply the recommended amount of grease, taking 1 minute or so to apply. Operate motor for 20 minutes, then reinstall purge plug if previously removed.

Caution: Keep grease clean. Mixing dissimilar grease is not recommended.

Sample Relubrication Determination

This sample determination is based on a NEMA 286T (IEC 180) motor operating at 1750 RPM driving an exhaust fan in an ambient of 43°C atmosphere that is moderately corrosive.

1. Table 1 list 9500 hours for standard conditions.
2. Table 2 classifies severity of service as "Severe".
3. Table 3 lists a multiplier value of 0.5 for Severe conditions.
4. Table 4 shows that 1.2 in³ or 3.9 teaspoon of grease is to be added.

Note: Smaller bearings in size category may require reduced amounts of grease.

Brushes

Periodically the brushes should be inspected and all brush dust blown out of the motor. If a brush is worn 1/2" (from length specified in renewal parts data), replace the brushes. If the commutator is worn or rough, the armature should be removed. The commutator should be turned in a lathe, the mica recut and the commutator polished. Reassemble and seat the new brushes using a brush seating stone. Be sure the rocker arm is set on the neutral mark.



P.O. Box 2400
Fort Smith, AR 72902-2400 U.S.A.
(479) 646-4711

AC Motor Installation – Maintenance Instructions

When this motor is installed according to these instructions, it complies with the EEC Machinery Directive. Electromagnetic Compatibility (EMC) requirements for CE compliance are met when the incoming power is purely sinusoidal. For other power source types, refer to MN1383 "Recommended Practices for Installation for EC Directive 89/336/EEC Relating to EMC". These instructions are intended to complement, not replace, the information in MN400 Installation and Operation manual for "Integral Horsepower AC induction Motors ODP, TEFC, Explosion Proof".

Handling

The weight of the motor and shipping container will vary. Use correct material handling equipment to avoid injury. Use caution when removing the motor from its packaging. Sharp corners may exist on motor shaft, motor key, sheet metal and other surfaces.

Receiving

Inspect the motor for damage before accepting it. The Motor shaft should rotate freely with no rubs. Report any damage immediately to the commercial carrier that delivered your motor.

Safety Notice

Only qualified personnel trained in the safe installation and operation of this equipment should install this motor. When improperly installed or used, rotating equipment can cause serious or fatal injury. Equipment must be installed in accordance with the National Electrical Code (NEC), local codes and NEMA MG2 Safety Standards for Construction and Guide for Selection, Installation and Use of Electric Motors and Generators. Observe the following guidelines:

1. When eyebolts are provided, they must be fully tightened and are intended to lift the motor and its included accessories only.
2. Ground the motor according to NEC and local codes.
3. Provide a permanent guard to prevent accidental contact of body parts or clothing with rotating or moving parts or burns if motor is hot.
4. Shaft key must be secured before starting motor.
5. Do not apply power to the motor until the motor is securely mounted by its mounting holes.
6. This motor must only be connected to the proper line voltage, line frequency and load size.
7. Motors are not to be used for load holding or restraining unless a properly sized brake is installed. If a motor mounted brake is installed, provide proper safeguards for personnel in case of brake failure.
8. Disconnect all power services, stop the motor and allow it to cool before servicing.
9. For single phase motors, discharge the start and/or run capacitors before servicing.
10. Do not by-pass or render inoperative any safety device.
11. When using AC motors with frequency inverters, be certain that the Maximum Speed rating (on nameplate) is not exceeded.
12. Mounting bolts should be high tensile steel. Be sure to use a suitable locking device on each bolt (spring washer or thread lock compound).

Guarding

After motor installation is complete, a guard of suitable dimensions must be constructed and installed around the motor/gearmotor. This guard must prevent personnel from coming in contact with any moving parts of the motor or drive assembly but must allow sufficient cooling air to pass over the motor.

If a motor mounted brake is installed, provide proper safeguards for personnel in case of brake failure. Brush inspection plates and electrical connection cover plates or lids, must be installed before operating the motor.

Motor Enclosure

ODP, Open drip proof motors are intended for use in clean, dry locations with adequate supply of cooling air. These motors should not be used in the presence of flammable or combustible materials. Open motors can emit flame and/or molten metal in the event of insulation failure.

TEFC, totally enclosed motors are intended for use where moisture, dirt and/or corrosive materials are present in indoor and outdoor locations. Explosion proof motors, as indicated by the Underwriters Laboratories, Inc. label are intended for use in hazardous areas as specified by the NEC.

Mounting

Foot mounted machines should be mounted to a rigid foundation to prevent excessive vibration. Shims may be used if location is uneven.

Flange mounted machines should be properly seated and aligned. Note: If improper rotation direction is detrimental to the load, check rotation direction prior to coupling the load to the motor shaft.

For V-belt drive, mount the sheave pulley close to the motor housing. Allow clearance for end to end movement of the motor shaft. Do not overtighten belts as this may cause premature bearing failure or shaft breakage.

Direct coupled machines should be carefully aligned and the shaft should rotate freely without binding.

Wiring

Connect the motor as shown in the connection diagram. The wiring, fusing and grounding must comply with the National Electrical Code and local codes. When the motor is connected to the load for proper direction of rotation and started, it should start quickly and run smoothly. If not, stop the motor immediately and determine the cause. Possible causes are: low voltage at the motor, motor connections are not correct or the load is too heavy. Check the motor current after a few minutes of operation and compare the measured current with the nameplate rating.

Adjustment

There are no adjustable parts on AC motors.

Noise

For specific sound power or pressure level information, refer to the Acoustic Performance of Standard Baldor TEFC or Super E TEFC motors in the Baldor Mechanical Design Standard MD950. The information is from test results and should be used with the national safety code for noise in the work place.

Vibration

This motor is balanced to NEMA MG1, Part 7 standard.

Lubrication

This is a ball or roller bearing motor. The bearings have been lubricated at the factory. Motors that do not have regrease capability are factory lubricated for the normal life of the bearings.

Lubricant

Baldor motors are pregreased, normally with Polyrex EM (Exxon Mobil). If other greases are preferred, check with a local Baldor Service Center for recommendations.

Relubrication Intervals (For motors with regrease capability)

New motors that have been stored for a year or more should be relubricated. Lubrication is also recommended at these intervals:

Table 1 Relubrication Interval

NEMA (IEC) Frame Size	Rated Speed (RPM)		
	3600	1800	1200
Up to 210 incl. (132)	5500Hrs.	12000Hrs.	18000Hrs.
Over 210 to 280 incl. (180)	3600Hrs.	9500Hrs.	18000Hrs.
Over 280 to 360 incl. (225)	*2200Hrs.	7400Hrs.	12000Hrs.
Over 360 to 5000 incl. (300)	*2200Hrs.	3500Hrs.	7400Hrs.
			10500Hrs.

* Lubrication interval for 6313 or 6314 bearings that are used in 360 through 5000 frame, 2 pole motors. If roller bearings are used, bearings must be lubricated more frequently, divide the **relubrication interval** by 2.

Table 2 Service Conditions

Severity of Service	Ambient Temperature Maximum	Atmospheric Contamination	Type of Bearing
Standard	40° C	Clean, Little Corrosion	Deep Groove Ball Bearing
Severe	50° C	Moderate dirt, Corrosion	Ball Thrust, Roller
Extreme	>50° C* or Class H Insulation	Severe dirt, Abrasive dust, Corrosion	All Bearings
Low Temperature	<-30° C**		

* Special high temperature grease is recommended.

** Special low temperature grease is recommended.

Table 3 Lubrication Interval Multiplier

Severity of Service	Multiplier
Standard	1.0
Severe	0.5
Extreme	0.1
Low Temperature	1.0

Table 4 Amount of Grease to Add

Frame Size NEMA (IEC)	Bearing Description (Largest bearing in each frame size)			
	Bearing	OD D mm	Width B mm	Weight of grease to add ounce (gram)
Up to 210 incl. (132)	6307	80	21	0.30 (8.4)
Over 210 to 280 incl. (180)	6311	120	29	0.61 (17.4)
Over 280 to 360 incl. (225)	6313	140	33	0.81 (23.1)
Over 360 to 500 incl.(300)	NU322	240	50	2.12 (60.0)

Weight in grams = 0.005 DB

Procedure

Clean the grease fitting (or area around grease hole, if equipped with slotted grease screws). If motor has a purge plug, remove it. Motors can be regreased while stopped (at less than 80°C) or running.

Apply grease gun to fitting (or grease hole). Too much grease or injecting grease too quickly can cause premature bearing failure. Slowly apply the recommended amount of grease, taking 1 minute or so to apply. Operate motor for 20 minutes, then reinstall purge plug if previously removed.

Caution: Keep grease clean. Mixing dissimilar grease is not recommended.

Sample Relubrication Determination

This sample determination is based on a NEMA 286T (IEC 180) motor operating at 1750 RPM driving an exhaust fan in an ambient of 43°C atmosphere that is moderately corrosive.

1. Table 1 list 9500 hours for standard conditions.
2. Table 2 classifies severity of service as "Severe".
3. Table 3 lists a multiplier value of 0.5 for Severe conditions.
4. Table 4 shows that 1.2 in³ or 3.9 teaspoon of grease is to be added.

Note: Smaller bearings in size category may require reduced amounts of grease.



P.O. Box 2400
Fort Smith, AR 72902-2400 U.S.A.
(501) 646-4711



Features

- 2-Way Normally Closed operation.
- For liquid petroleum gases (propane) in both liquified and gaseous states.
- Applications such as grain dryers, incinerators, space heaters, etc.
- Mountable in any position.

Construction

Valve Parts in Contact with Fluids				
Series	8262	8210	8214	226787-1
Body	Brass	Brass	Aluminum	Brass
Seals and Disc	NBR	NBR	NBR	NBR
Core Tube	305 SS	305 SS	305 SS	305 SS
Core Guide	Brass	Brass	Brass	Brass
Core and Plugnut	430F SS	430F SS	430F SS	430F SS
Springs	302 SS	17-7PH SS	17-7PH SS	302 SS
Shading Coil	Copper	Copper	Copper	Copper
Pipe Plug	-	-	Zinc Plated Steel	-

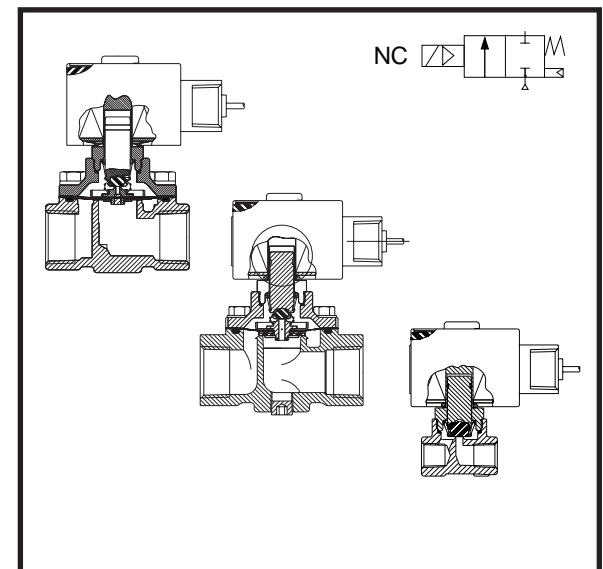
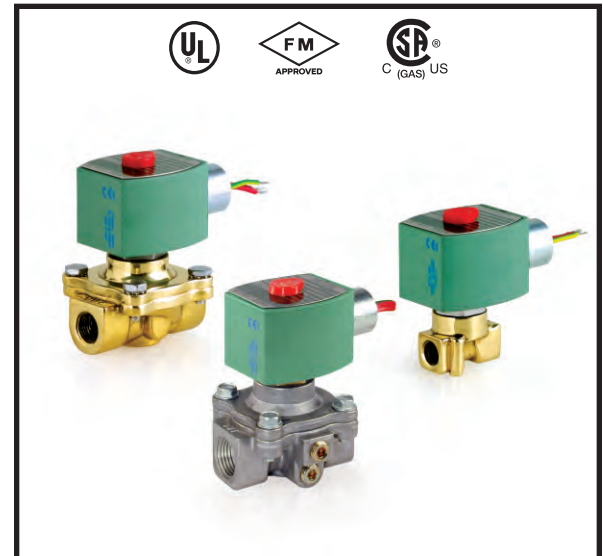
Electrical

Standard Coil Class of Insulation	Watt Rating and Power Consumption			Ambient Temp. °F	Spare Coil Family	
	AC				General Purpose	Explosionproof
	Watts	VA Holding	VA Inrush		AC	AC
F	10.1	25	70	-20 to 125	238610	238614
F	17.1	40	93	-20 to 125	238610	238614
F	15.05	28	55	32 to 125	-	064982

Standard Voltages: 24, 120, 240 volts AC, 60 Hz (or 110, 220 volts AC, 50 Hz).

Solenoid Enclosures

(8210, 8214, 8262) RedHat II Molded Epoxy, Watertight, Types 1, 2, 3, 3S, 4 and 4X with 1/2" conduit hub.
(226787-1) RedHat Metal, Explosion Proof, Types 3, 7C, 7D, 9E, F&G with 1/2" conduit hub.



Approvals:

UL listed to standard 429 "Electrically Operated Valves," Guide YIOZ, File MP618, Safety Valves.

FM Approved to Class 7400 "Liquid and Gas Safety Shutoff Valves."

CSA Certified to:

- 1) Standard C22.2 No. 139 "Electrically Operated Valves," File 010381.
- 2) Automatic Gas Safety Shutoff Valves C/I (3.9), File 112872. (8210 & 8214)
- 3) Valves for Hazardous Locations, File 013976. (226787-1)

Specifications

Pipe Size (ins.)	Orifice Size (ins.)	CV Flow	Gas Capacity ① Btu/hr.	Operating Pressure Differential (psi)		Max. Fluid Temp. °F	Catalog Number	Const. Ref.	Agency			Wattage	Approx. Shipping Weight (lbs)
				Min.	Max.				UL	FM	CSA		
COMBUSTION (Fuel Gas) - NORMALLY CLOSED													
1/4	1/8	0.35	27,250	0	250	125	8262G232B	1	○	-	○	17.1	2.3
1/4	9/32	0.96	74,700	0	45	125	8262G210B	1	○	○	○	10.1	2.4
3/8	5/8	2.8	218,000	5	250	125	8210H105B	2	○	○	○	17.1	3.2
3/8	3/4	3.4	226,000	0	50	125	8214G010B	3	○	○	○	17.1	2.0
1/2	5/8	3.6	280,000	5	250	125	8210H106B	2	○	○	○	17.1	3.2
1/2	3/4	4.4	374,000	0	50	125	8214G020B	3	○	○	○	17.1	2.0
3/4	3/4	5.1	397,000	0	50	125	8214G030B	4	○	○	○	17.1	2.0
3/4	3/4	6.5	506,000	5	350	125	226787-1	5	○	-	○	15.05	3.5

○ = Safety Shutoff Valve. ① 1" W.C. Drop @ 2" W.C. Inlet Pressure, 2,300 Btu/cu. ft. or more, 1.6 Specific Gravity Gas.

Capabilities Chart

Solenoid Options				Base Catalog Number		Resilient Materials	Standard Rebuild Kit
NEMA Type 3-9	72" Leads	High Temp.	Wiring Box Screw Terminal	Brass	Aluminum	NBR	AC
EF	L	HB	JKP	8262G232B	-	●	304088
EF	L	HT	JKF	8262G210B	-	●	304088
EF	L	HB	JKP	8210H105B	-	●	316669
-	L	HB	JKP	-	8214G010B	●	316667
EF	L	HB	JKP	8210H106B	-	●	316669
-	L	HB	JKP	-	8214G020B	●	316667
-	L	HB	JKP	-	8214G030B	●	316667
-	L	-	-	266787-1	-	●	310038

● = Standard. Other options may be available. All option combinations may not be available.

Dimensions: inches

Const. Ref. No.	A	B	E	H	J	K	L	N	P	R	T	W
1	-	3.03	-	3.16	2.04	1.78	1.56	-	2.75	-	1.95	1.18
2	1.66	3.03	-	3.95	2.04	2.42	2.75	3.42	3.39	-	1.95	2.28
3	1.14	3.03	1.36	4.08	2.04	2.47	2.75	3.42	3.46	1.36	1.95	2.50
4	1.14	3.03	1.25	4.52	2.04	2.66	3.31	3.70	3.64	1.66	1.95	2.39
5	-	3.25	-	4.63	2.76	2.44	3.78	4.38	4.00	1.62	2.50	2.75

INSTALLATION AND MAINTENANCE INSTRUCTIONS

2-WAY INTERNAL PILOT OPERATED SOLENOID VALVES NORMALLY CLOSED OPERATION — 3/4 N.P.T. VALVES FOR LP GAS SYSTEMS

BULLETINS

8210

8211

ASCO

FORM NO. V-5963

DESCRIPTION

Bulletin 8210 valves are 2-way, normally closed internal pilot operated solenoid valves designed for LP gas (propane) service. Valves are of brass construction.

Bulletin 8211 valves are the same as Bulletin 8210 except the solenoids are equipped with an enclosure which is designed to meet NEMA Type 4 - Watertight, NEMA Type 7 (C or D) Hazardous Locations - Class I Groups C or D and NEMA Type 9 (E, F or G) Hazardous Locations - Class II, Groups E, F or G. Installation and Maintenance Instructions for the Explosion-Proof/Watertight Solenoid Enclosures are provided on Form No. V-5380.

OPERATION

Normally Closed: Valve is closed when solenoid is de-energized. Valve opens when solenoid is energized.

IMPORTANT: Minimum operating pressure differential is 5 psi.

INSTALLATION

Check nameplate for correct catalog number, pressure, voltage and service.

POSITIONING/MOUNTING (Refer to Figure 1)

This valve is designed to perform properly when mounted in any position. However, for optimum life and performance, the solenoid should be mounted vertical and upright so as to reduce the possibility of foreign matter accumulating in the core tube area. For mounting bracket (optional feature) dimensions, refer to Figure 1.

PIPING

Connect piping to valve according to markings on valve body. Apply pipe compound sparingly to male pipe threads only; if applied to valve threads, it may enter valve and cause operational difficulty. Pipe strain should be avoided by proper support and alignment of piping. When tightening pipe, do not use valve as a lever. Wrenches applied to valve body or piping are to be located as close as possible to connection point.

IMPORTANT: For the protection of the solenoid valve, install a strainer or filter suitable for the service involved in the inlet side as close to the valve as possible. Periodic cleaning is required, depending on service conditions. See Bulletins 8600, 8601 and 8602 for strainers.

WIRING

Wiring must comply with Local and National Electrical Codes. Housings for all solenoids are made with connections for 1/2 inch conduit. The general purpose solenoid enclosure may be rotated to facilitate wiring by removing the retaining cap or clip. **CAUTION: When metal retaining clip disengages, it will spring upward.** Rotate to desired position. Replace retaining cap or clip before operating.

SOLENOID TEMPERATURE

Standard catalog valves are supplied with coils designed for continuous duty service. When the solenoid is energized for a long period, the solenoid enclosure becomes hot and can be touched with the hand only for an instant. This is a safe operating temperature. Any excessive heating will be indicated by the smoke and odor of burning coil insulation.

MAINTENANCE

WARNING: Turn off electrical power supply and depressurize valve before making repairs. It is not necessary to remove the valve from the pipe line for repairs.

CLEANING

A periodic cleaning of all solenoid valves is desirable. The time between cleanings will vary depending on media and service conditions. In general, if the voltage to the coil is correct, sluggish valve operation, excessive noise or leakage will indicate that cleaning is required. Clean valve strainer or filter when cleaning solenoid valve.

PREVENTIVE MAINTENANCE

1. Keep the medium flowing through the valve as free from dirt and foreign material as possible.
2. While in service, operate the valve at least once a month to insure proper opening and closing.
3. Periodic inspection (depending on media and service conditions) of internal valve parts for damage or excessive wear is recommended. Thoroughly clean all parts. Replace any parts that are worn or damaged.

IMPROPER OPERATION

1. **Faulty Control Circuit:** Check the electrical system by energizing the solenoid. A metallic click signifies the solenoid is operating. Absence of the click indicates loss of power supply. Check for loose or blown-out fuses, open-circuited or grounded coil, broken lead wires or splice connections.
2. **Burned-Out Coil:** Check for open-circuited coil. Replace coil if necessary.
3. **Low Voltage:** Check voltage across the coil leads. Voltage must be at least 85% of nameplate rating.
4. **Incorrect Pressure:** Check valve pressure. Pressure to valve must be within range specified on nameplate.
5. **Excessive Leakage:** Disassemble valve and clean all parts. Replace worn or damaged parts with a complete Spare Parts Kit for best results.

COIL REPLACEMENT (Refer to Figure 1)

Turn off electrical power supply and disconnect coil lead wires.

1. Remove retaining cap or clip, nameplate and cover. **CAUTION: When metal retaining clip disengages, it will spring upward.**
2. Slip spring washer, insulating washer and coil off the solenoid base sub-assembly. Insulating washers are omitted when a molded coil is used.
3. Reassemble in reverse order of disassembly paying careful attention to exploded view provided for identification and placement of parts.

CAUTION: The solenoid must be fully reassembled as the housing and internal parts are part of and complete the magnetic circuit. Place an insulating washer at each end of coil, if required.

VALVE DISASSEMBLY AND REASSEMBLY (Refer to Figure 1)

Depressurize valve and turn off electrical power supply. Proceed in the following manner:

1. Remove retaining cap or clip and slip the entire solenoid enclosure off the solenoid base sub-assembly. **CAUTION: When metal retaining clip disengages, it will spring upward.**
2. Unscrew solenoid base sub-assembly and remove bonnet gasket and core assembly with core spring and core guide attached.
3. Remove bonnet screws (4), valve bonnet, diaphragm spring, diaphragm assembly, body gasket and body passage gasket.
4. All parts are now accessible for cleaning or replacement. Replace worn or damaged parts with a complete Spare Parts Kit for best results.
5. Reassemble in reverse order of disassembly paying careful attention to exploded view provided for identification and placement of parts.
6. Torque bonnet screws in a crisscross manner to 130 ± 15 inch-pounds.
7. Torque solenoid base sub-assembly to 175 ± 25 inch-pounds.
8. After maintenance, operate the valve a few times to be sure of proper operation.

SPARE PARTS KITS

Spare Parts Kits and Coils are available for ASCO valves. Parts marked with an asterisk (*) are supplied in Spare Parts Kits.

ORDERING INFORMATION FOR SPARE PARTS KITS

When Ordering Spare Parts Kits or Coils,
Specify Valve Catalog Number,
Serial Number and Voltage.

Preventive Maintenance

- Keep the medium flowing through the valve as free from dirt and foreign material as possible.
- While in service, the valve should be operated at least once a month to insure proper opening and closing.
- Depending on the medium and service conditions, periodic inspection of internal valve parts for damage or excessive wear is recommended. Thoroughly clean all parts. If parts are worn or damaged, install a complete ASCO Rebuild Kit.

Causes of Improper Operation

- **Incorrect Pressure:** Check valve pressure. Pressure to valve must be within range specified on nameplate.
- **Excessive Leakage:** Disassemble valve and clean all parts. If parts are worn or damaged, install a complete ASCO Rebuild Kit.

Valve Disassembly

▲ WARNING: To prevent the possibility of severe personal injury or property damage, turn off electrical power, depressurize valve, extinguish all open flames and avoid any type of sparking or ignition. Vent hazardous or combustible fluid to a safe area before servicing the valve.

NOTE: Determine valve construction AC (Figure 1 on page 3) or DC (Figure 2 on page 4) then proceed as follows:

1. Remove solenoid enclosure, see separate installation and maintenance instructions.
2. For AC Construction, unscrew solenoid base sub-assembly. For DC Construction, unscrew solenoid base sub-assembly with special wrench adapter provided in ASCO Rebuild Kit. For wrench adapter only, order kit No.K218-949. NOTE: For alternate type open end wrench, order kit No.K168-146-1 which is available for solenoid base sub-assembly removal or replacement.
3. Remove bonnet screws, valve bonnet, bonnet gasket, core/diaphragm sub-assembly and body gasket.
4. All parts are now accessible to clean or replace. If parts are worn or damaged, install a complete ASCO Rebuild kit.

Valve Reassembly

1. Lubricate bonnet gasket and body gasket with a light coat of DOW CORNING® 200 Fluid lubricant or an equivalent high-grade silicone fluid.
2. Apply a light coat of RemGrit TFL 50® Dry Lubricant to:
 - Valve seat
 - Valve body flange where diaphragm assembly contacts the valve body and body gasket.
 - Internal surface of valve bonnet where diaphragm assembly contacts bonnet when valve is in the energized (open position).

IMPORTANT: If valve has been disassembled for inspection and cleaning only and a Rebuild Kit is not being installed, lubricate the following with RemGrit TFL 50® Dry Lubricant:

- Diaphragm assembly on both sides.
- Main disc at base of core/diaphragm sub-assembly.
- Pilot disc at base of core assembly.

▲ CAUTION: Do not distort hanger spring between core assembly and diaphragm assembly when lubricating pilot disc.

3. Replace body gasket and core/diaphragm sub-assembly with closing spring attached. Locate bleed hole in core/diaphragm sub-assembly approximately 30° from the valve inlet.
4. Replace valve bonnet and bonnet screws (6). Torque screws in a crisscross manner to 100 ± 10 in-lbs [11,3 ± 1,1 Nm].
5. For AC construction, replace bonnet gasket and solenoid base sub-assembly. For DC construction refer to separate "Solenoid Installation and Maintenance Instructions" for lubrication instructions; then install bonnet gasket, housing and solenoid base sub-assembly. Torque solenoid base sub-assembly to 175 ± 25 in-lbs [19,8 ± 2,8 Nm].
6. Replace solenoid (see separate instructions) and make electrical hookup.

▲ WARNING: To prevent the possibility of severe personal injury or property damage, check valve for proper operation before returning to service. Also perform internal seat and external leakage tests with a nonhazardous, noncombustible fluid.

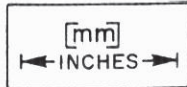
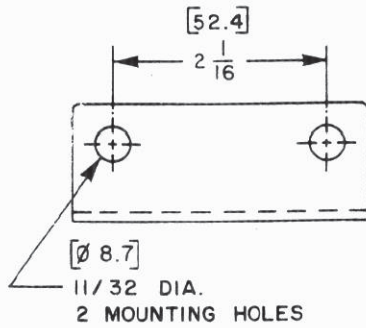
7. Restore line pressure and electrical power supply to valve.
8. After maintenance is completed, operate the valve a few times to be sure of proper operation. A metallic *click* signifies the solenoid is operating.

ORDERING INFORMATION FOR ASCO REBUILD KITS

Parts marked with an asterisk (*) in the exploded views are supplied in Rebuild Kits.

• When Ordering Rebuild Kits for ASCO Valves, order the Rebuild Kit number stamped on the valve nameplate. +

+ If the number of the kit is not visible, order by indicating the number of kits required, and the Catalog Number and Serial Number of the valve(s) for which they are intended.



TORQUE BONNET SCREWS
IN A CRISSCROSS MANNER
TO 130 ± 15 INCH-POUNDS

PARTS INCLUDED IN
SPARE PARTS KIT *

7/8 DIA. HOLE FOR
1/2 INCH CONDUIT

TORQUE SOLENOID BASE
SUB-ASSEMBLY TO
175 ± 25 INCH-POUNDS

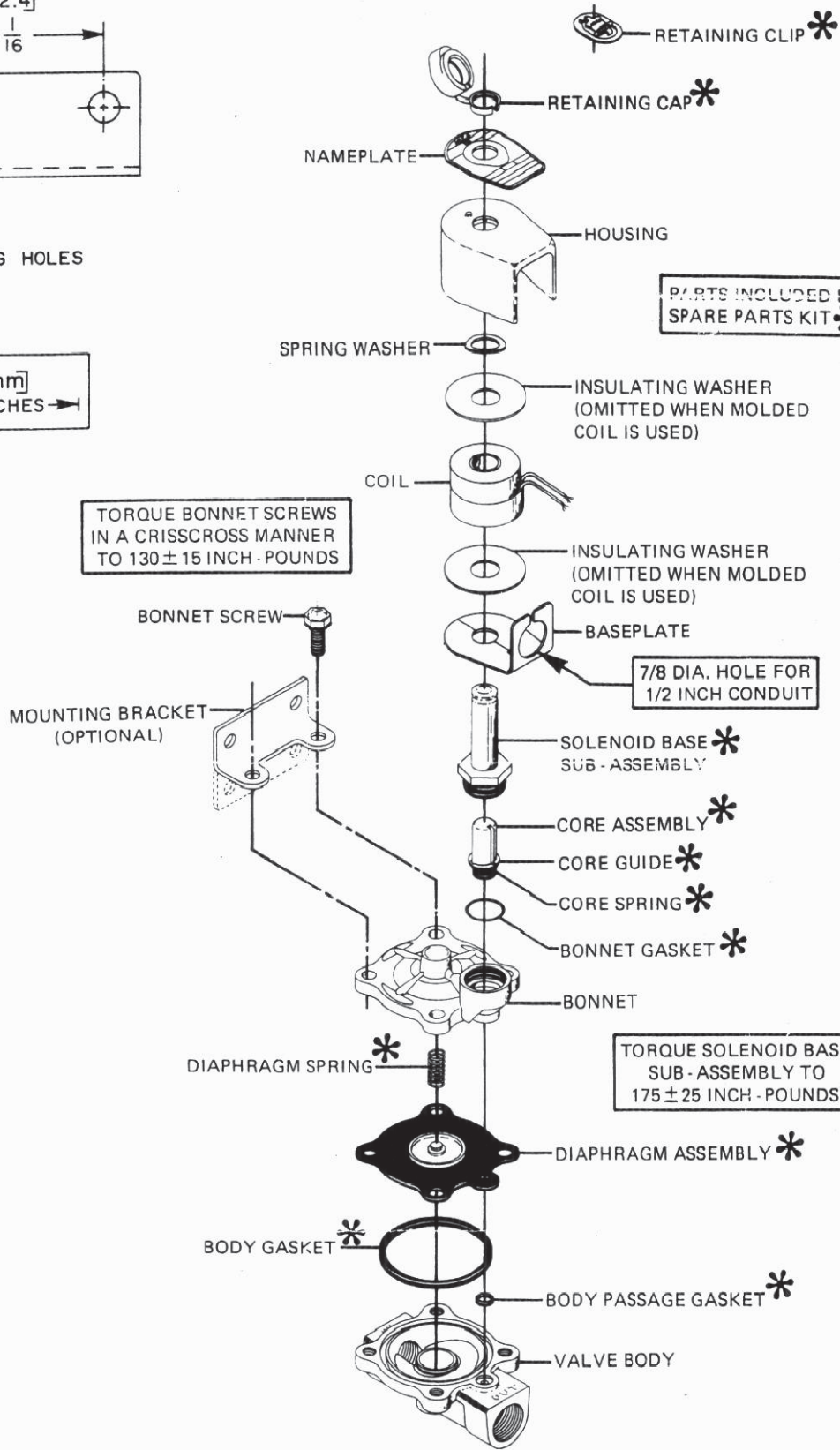


Figure 1.

Bulletin 8210

Torque Chart

Part Name	Torque Value in Inch-Pounds	Torque Value in Newton-Meters
Solenoid Base Sub-Assembly	175 ± 25	19,8 ± 2,8
Bonnet Screws	100 ± 10	11,3 ± 1,1

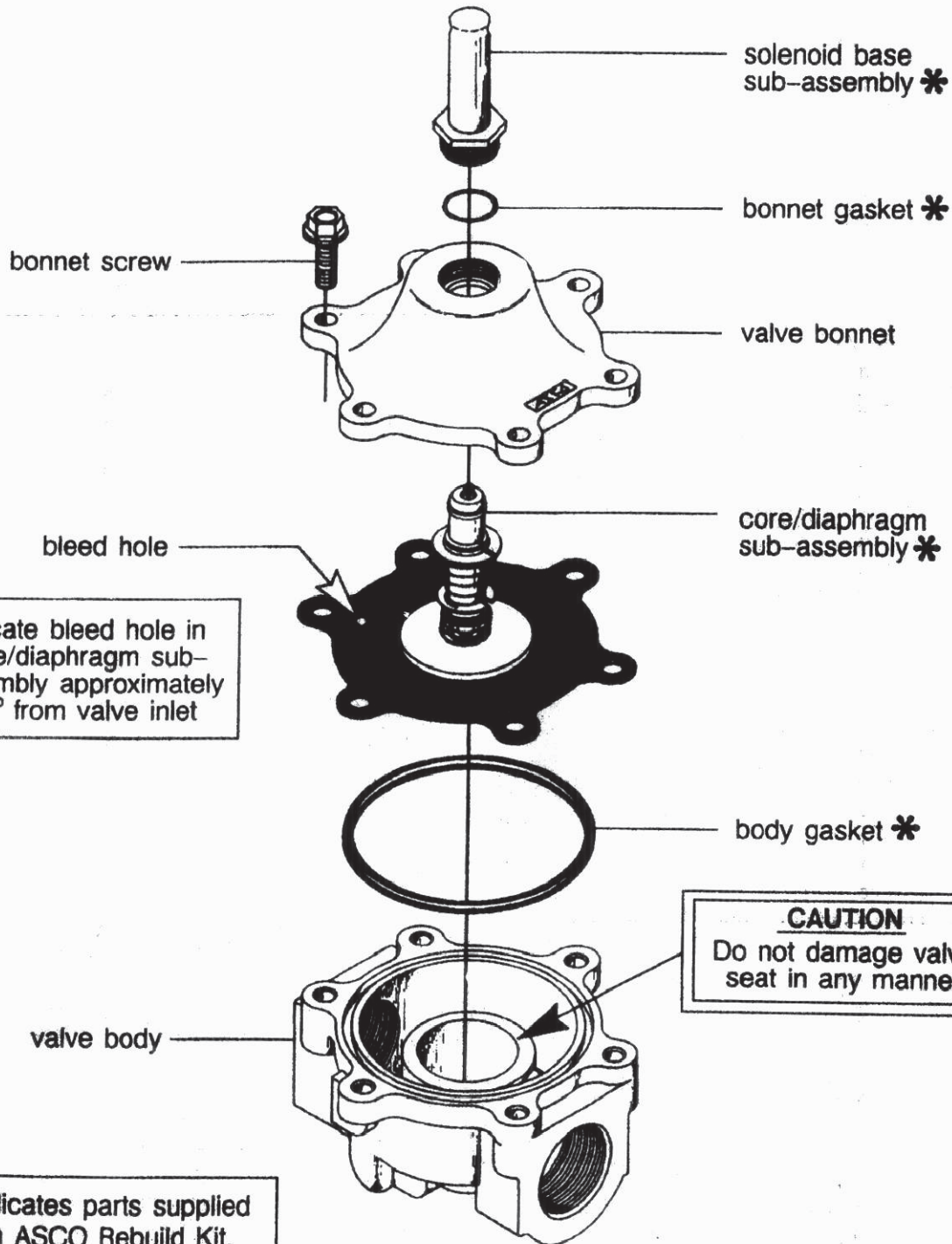


Figure 1. Series 8215 valves without solenoid, AC Construction.

Torque Chart

Part Name	Torque Value in Inch-Pounds	Torque Value in Newton Meters
Solenoid Base Sub-Assembly	175 ± 25	19,8 ± 2,8
Bonnet Screws	100 ± 10	11,3 ± 1,1

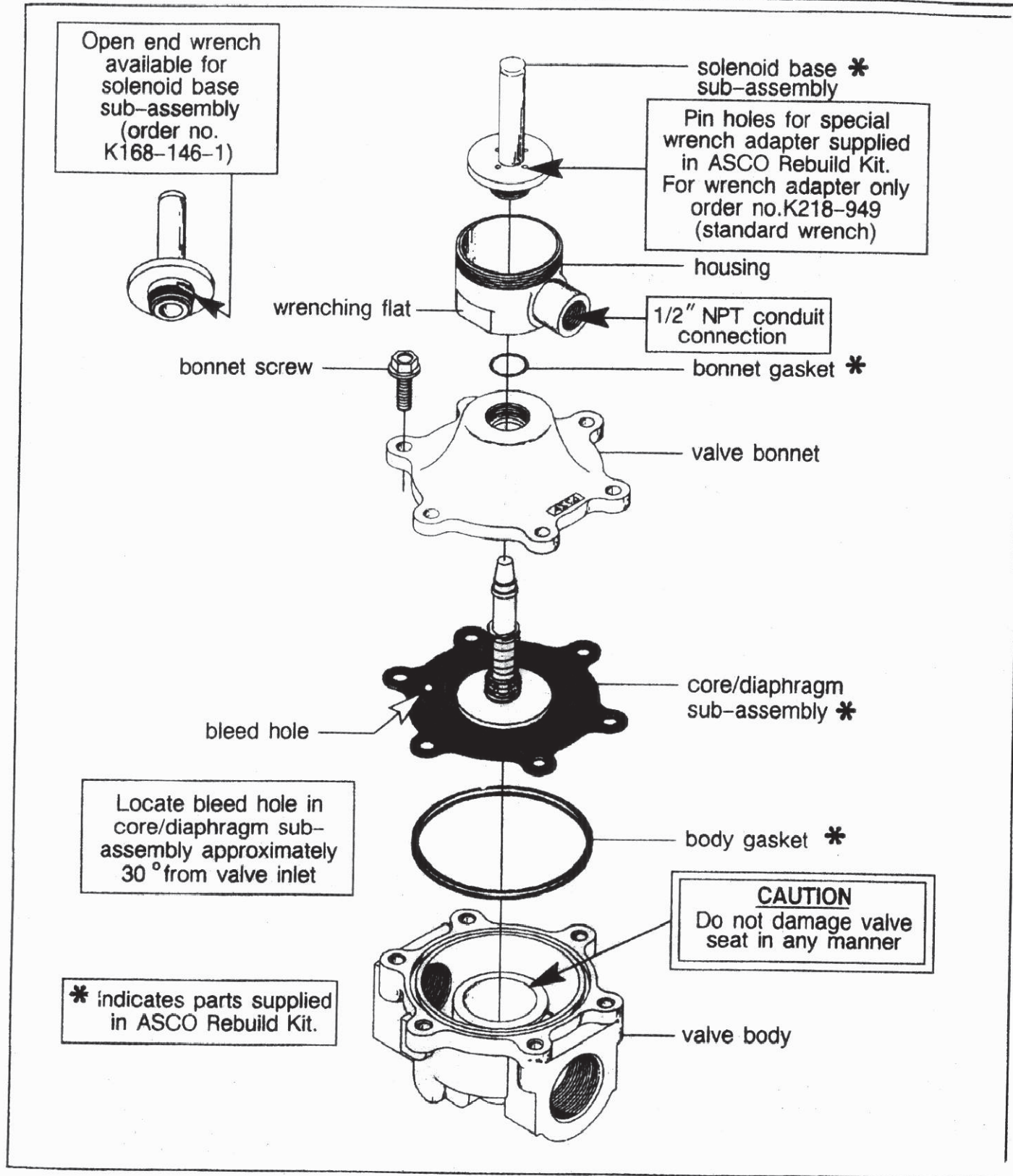


Figure 2. Series 8215 valves without solenoid, DC Construction.

Installation & Maintenance Instructions

SERIES

GENERAL PURPOSE AND

8017

RAINTIGHT/WATERTIGHT/EXPLOSIONPROOF SOLENOIDS

Form No.V5381R6

IMPORTANT: See separate valve installation and maintenance instructions for information on: Operation, Positioning, Mounting, Cleaning, Preventive Maintenance, Causes of Improper Operation, Disassembly and Reassembly of basic valve.

DESCRIPTION

Solenoid Catalog Numbers 80171 and 80172 have a Type 1, General Purpose Solenoid Enclosure. Solenoid Catalog Numbers EF80171, EF80172, 80173, and 80174 meet the requirements of Enclosure Type 3 – Raintight, Type 7 (C & D) Explosionproof, and Type 9 (E, F, & G) Dust – Ignitionproof. When constructed with a cover gasket and solenoid bonnet gasket they also meet the requirement of Enclosure Type 4 – Watertight. Series 8017 solenoids (when installed as a solenoid and not as part of an ASCO valve) are supplied with a core which has a 0.250–28 UNF–2B tapped hole, with 0.38 inch minimum full thread.

OPERATION

When the solenoid is energized, the core is drawn into the solenoid base sub-assembly.

IMPORTANT: When the solenoid is de-energized, the initial return force for the core, whether developed by spring, pressure, or weight, must exert a minimum force to overcome residual magnetism created by the solenoid. Minimum return force for AC construction is 1 pound, 12 ounces and 5 ounces for DC construction.

INSTALLATION

Check nameplate for correct catalog number, voltage, frequency, wattage, and service.

Enclosure Types 3, 4, 7, and 9

CAUTION: To prevent fire or explosion, do not install solenoid enclosure and/or valve where ignition temperature of hazardous atmosphere is less than 160° C. On valves used for steam service or when a class “H” solenoid is used, do not install in hazardous atmosphere where ignition temperature is less than 180° C. See nameplate for service.

Enclosure Types 3,4,7, and 9

Used in –40° C Ambient Temperature Applications

WARNING: To prevent fire or explosion, use only conduit runs 1/2" in size with a sealing fitting connected within 3 feet of the solenoid enclosure.

IMPORTANT: To protect the solenoid operator or valve, install a strainer or filter, suitable for the service involved in the inlet side as close to the valve or operator as possible. Clean periodically depending on service conditions.

Positioning

This solenoid is designed to perform properly when mounted in any position. However, for optimum life and performance, the solenoid should be mounted vertically and upright to reduce the possibility of foreign matter accumulating in the solenoid base sub-assembly area.

Wiring

Wiring must comply with local codes and the National Electrical Code.

CAUTION: Do not use the solenoid enclosure as a splice box.

The general purpose solenoid housing has a 7/8" diameter hole to accommodate 1/2" conduit. To facilitate wiring, the general purpose solenoid enclosure may be rotated 360° by removing the retaining cap or clip.

CAUTION: When metal retaining clip disengages, it will spring upward. Rotate solenoid enclosure to desired position. Then replace retaining cap or clip before operating. On some solenoids, a grounding wire which is green or green with yellow stripes is provided. Use rigid metallic conduit to ground

all enclosures not provided with a green grounding wire. For the raintight/watertight/ explosionproof solenoid enclosure, electrical fittings must be approved for use in hazardous locations. This enclosure has a 1/2" conduit connection and may be rotated 360° to facilitate wiring.

WARNING: To prevent the possibility of personal injury or property damage from accidental disengagement of solenoid from valve body, hold housing securely by wrenching flats while removing or replacing housing cover.

To rotate enclosure, loosen housing cover using a 1" socket wrench. Two wrenching flats are provided on the housing to hold it securely in place while the cover is being loosened or tightened. Rotate housing to desired position and tighten cover before operating. Torque cover to 135 ± 15 in-lbs [15,3 ± 1,7 Nm].

NOTE: Alternating current (AC) and direct current (DC) solenoids are built differently. To convert from one to the other, it is necessary to change the complete solenoid including the core and solenoid base sub-assembly, not just the coil. Consult ASCO.

Solenoid Enclosure Assembly

Solenoid Catalog Numbers 80171 and 80172 may be assembled as a complete unit. Tightening is accomplished by means of a hex flange at the base of the solenoid enclosure.

Solenoid Catalog Numbers EF80171, EF80172, 80173, and 80174 must be assembled in the following manner:

1. The solenoid enclosure must be completely disassembled. For disassembly, see the instructions given in *Coil Replacement* section.
2. After disassembly, the solenoid base sub-assembly is placed inside the housing over the assembly location.
3. The assembly is then tightened in place by means of two (2) slots in the bonnet adjacent to the tube on the solenoid base sub-assembly. Use special adapter wrench provided with solenoid. For ASCO wrench kit only, Order No.K218950. Exercise care during tightening procedure to prevent deforming or raising of bonnet surface adjacent to slots.
4. Reassemble solenoid, follow instructions in *Coil Replacement* section.

Solenoid Temperature

Standard solenoids are supplied with coils designed for continuous duty service. When the solenoid is energized for a long period, the solenoid enclosure becomes hot and can be touched by hand only for an instant. This is a safe operating temperature. Any excessive heating will be indicated by the smoke and odor of burning coil insulation.

MAINTENANCE

WARNING: To prevent the possibility of personal injury or property damage, turn off electrical power, depressurize solenoid operator or valve, and vent fluid to a safe area before servicing.

Cleaning

All solenoid operators and valves should be cleaned periodically. The time between cleaning will vary depending on medium and service conditions. In general, if the voltage to the coil is correct, sluggish valve operation, excessive noise or leakage will indicate that cleaning is required. Clean strainer or filter when cleaning the valve.

Preventive Maintenance

- Keep the medium flowing through the solenoid operator or valve as free from dirt and foreign material as possible.
- While in service, the solenoid operator or valve should be operated at least once a month to ensure proper opening and closing.
- Depending on the medium and service conditions, periodic inspection of internal valve parts for damage or excessive wear is recommended. Thoroughly clean all parts. Replace any parts that are worn or damaged.

© Automatic Switch Co.

MCMXCII. All Rights Reserved

1 of 4

ASCO Valves

Automatic Switch Co.

50–60 Hanover Road, Florham Park, New Jersey 07932

Causes of Improper Operation

- **Faulty Control Circuit:** Check the electrical system by energizing the solenoid. A metallic *click* indicates loss of power supply. Check for loose or blown fuses, open-circuited or grounded coil, broken lead wires or splice connections.
- **Burned-Out Coil:** Check for open-circuited coil. Replace if necessary. Check supply voltage; it must be the same as specified on nameplate and as marked on the coil.
- **Low Voltage:** Check voltage across the coil leads. Voltage must be at least 85% of nameplate rating.

Coil Replacement for Solenoid Catalog Numbers 80171 and 80172

General Purpose Enclosure

1. Disconnect coil lead wires and grounding wire if present.
2. Remove retaining cap or clip from top of solenoid.

CAUTION: When metal retaining clip disengages, it will spring upward.

3. Remove nameplate (if present), cover, and spring washer (alternate construction only).
4. For AC construction, slip yoke containing coil, sleeves, insulating washers, and grounding wire (if present,) off solenoid base sub-assembly. For DC construction, slip grounding wire (if present), flux washer and coil off the solenoid base sub-assembly.

NOTE: Insulating washers are omitted when a molded coil is used.

5. Coil is now accessible for replacement.

CAUTION: Solenoid must be fully reassembled because the housing and internal parts complete the magnetic circuit. Place an insulating washer at each end of non-molded coil.

Coil Replacement for Solenoid Catalog Numbers EF80171, EF80172, 80173, and 80174 Raintight/ Watertight/Explosionproof Enclosure

1. Disconnect coil lead wires and grounding wire if present.

WARNING: To prevent the possibility of personal injury or property damage from accidental disengagement of solenoid from valve body, hold housing securely by wrenching flats while removing or replacing housing cover.

2. Unscrew housing cover with cover gasket and nameplate attached. Two wrenching flats are provided to hold the housing securely in place while the cover is being loosened or tightened.
NOTE: Some older solenoid constructions do not have a cover gasket or solenoid bonnet gasket present.
3. Remove retainer from top of solenoid base sub-assembly.
4. For AC construction, slip yoke containing coil, sleeves, insulating washers, and grounding wire, (if present) off the solenoid base sub-assembly. For DC construction, remove grounding wire (if present), yoke, insulating washer, coil and insulating washer.
NOTE: Insulating washers are omitted when a molded coil is used.
5. Coil is now accessible for replacement.
6. If additional disassembly is required, unscrew solenoid base sub-assembly using special wrench adapter supplied in ASCO Enclosure or Rebuild Kit. For ASCO wrench kit only, Order No.K218950.
7. Remove solenoid base sub-assembly with solenoid bonnet gasket.
8. Reassemble using exploded view for identification and placement of parts. Before reassembly, see note below for cleaning and greasing requirements.
9. Torque solenoid base sub-assembly to 175 ± 25 in-lbs [$19, 8 \pm 2, 8$ Nm].
10. Torque housing cover to 135 ± 15 in-lbs [$15, 3 \pm 1, 7$ Nm].

CAUTION: Solenoid must be fully reassembled because the housing and internal parts complete the magnetic circuit. Place an insulating washer at each end of non-molded coil.

NOTE: Solenoid Catalog Numbers EF80171, EF80172, 80173, and 80174—Installation and maintenance of raintight/watertight/explosionproof equipment requires more than ordinary care to insure safe performance. All finished surfaces of the solenoid are constructed to provide flame-proof seal. Be sure that the surfaces are wiped clean before reassembling. Grease the cover gasket, solenoid bonnet gasket, and the joints of the raintight/watertight/explosionproof solenoid enclosure with DOW CORNING® 111 Compound lubricant or an equivalent high-grade silicone grease. Grease all joints thoroughly including the underside of the solenoid base sub-assembly flange and internal threads of the housing cover.

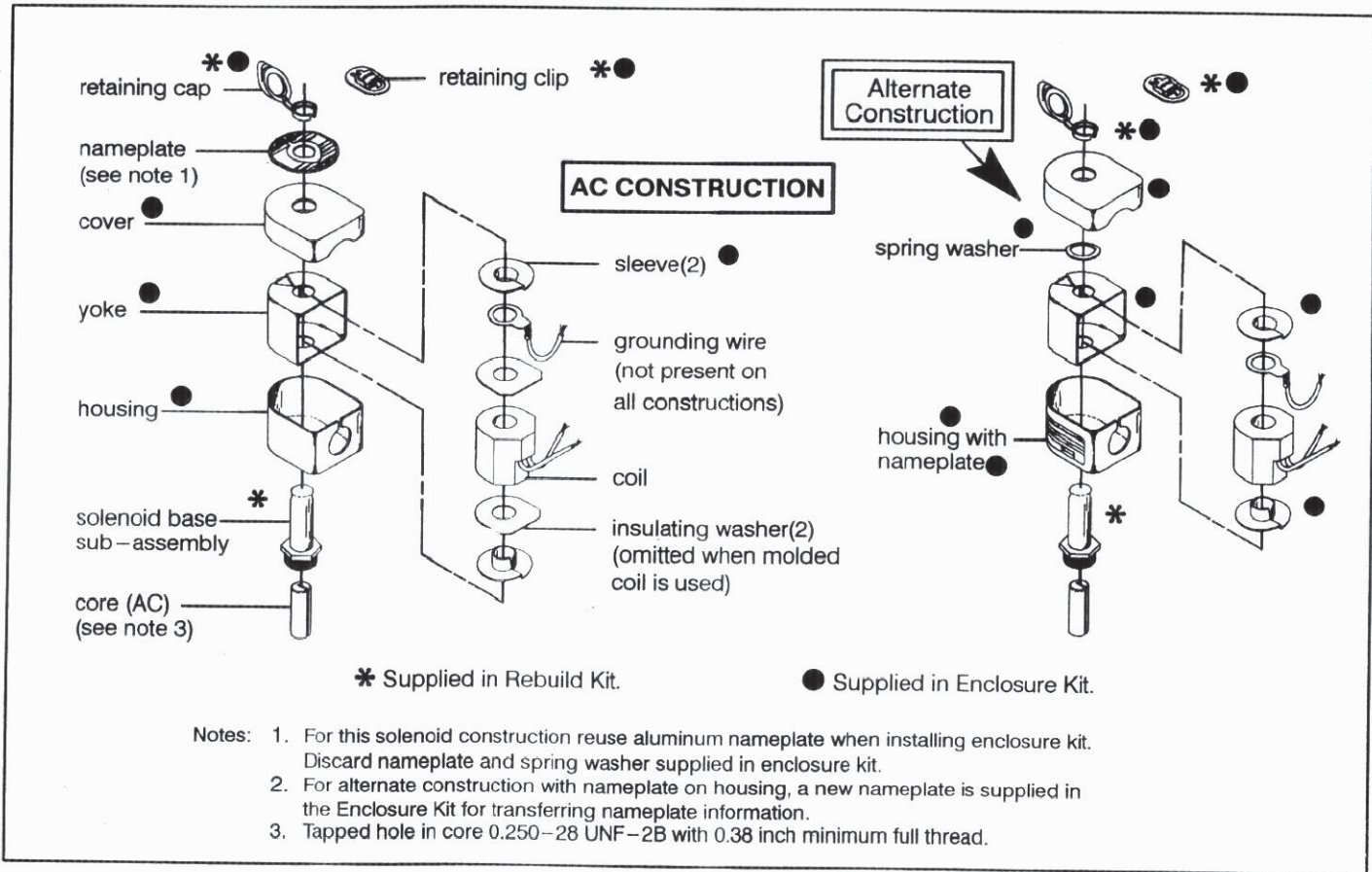


Figure 1. Catalog Nos. 80171 and 80172 General Purpose Solenoid Enclosure, AC Construction.

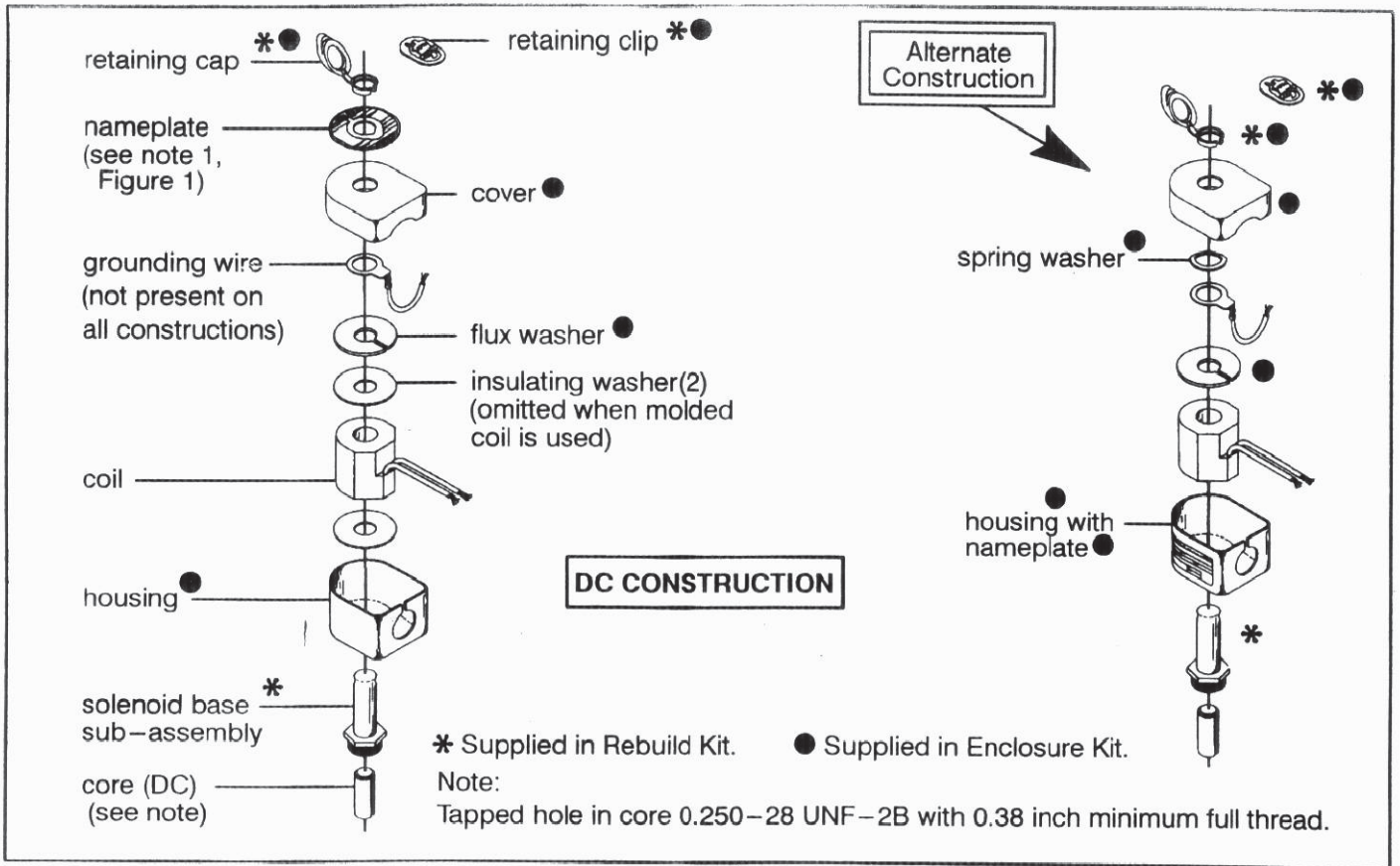


Figure 2. Catalog Nos. 80171 and 80172 General Purpose Solenoid Enclosure, DC Construction.

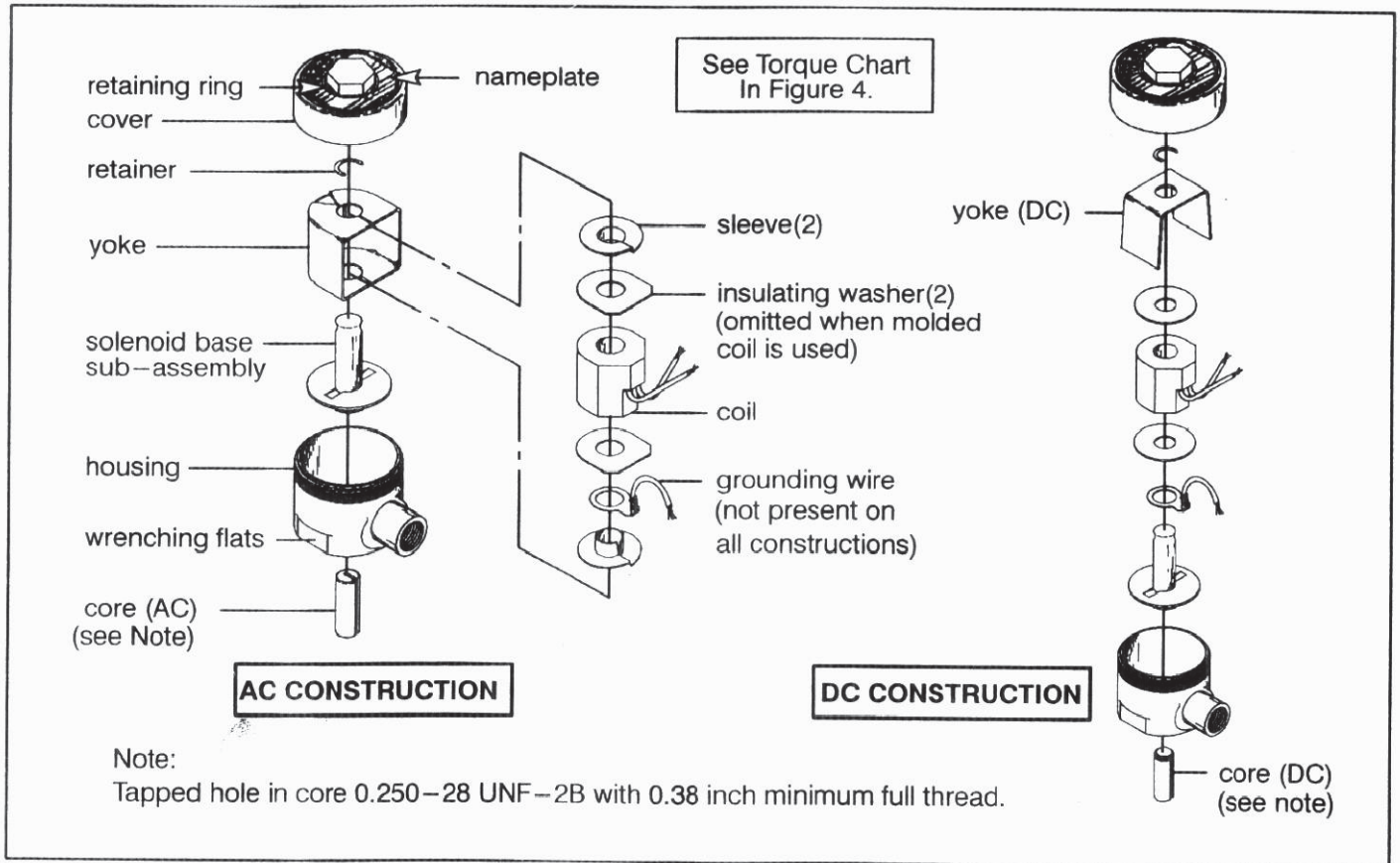
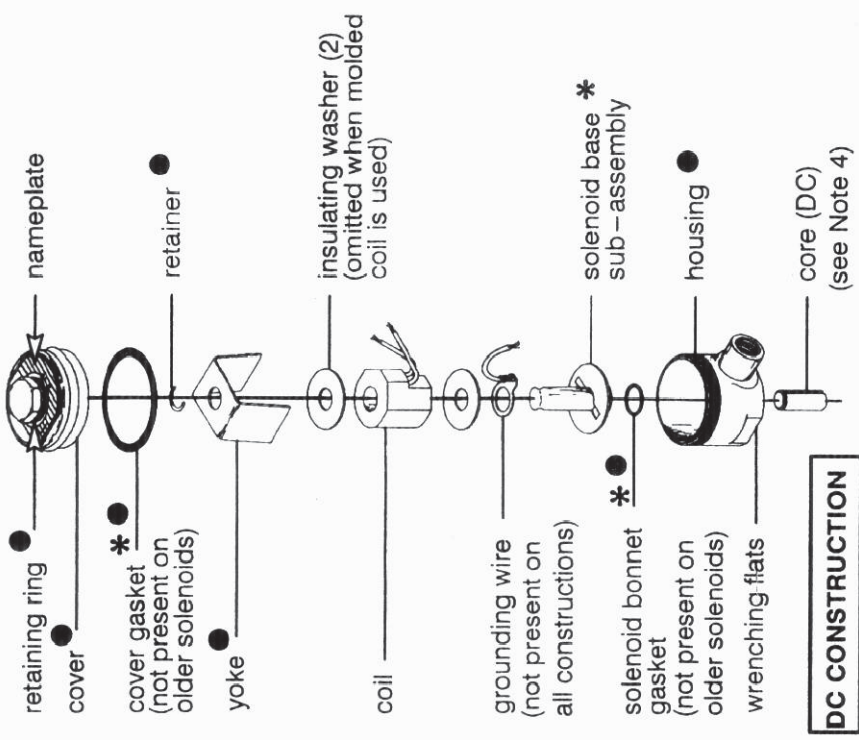


Figure 3. Catalog Nos. EF80171, EF 80172, 80173 and 80174 Raintight/Explosionproof Solenoid Enclosure.

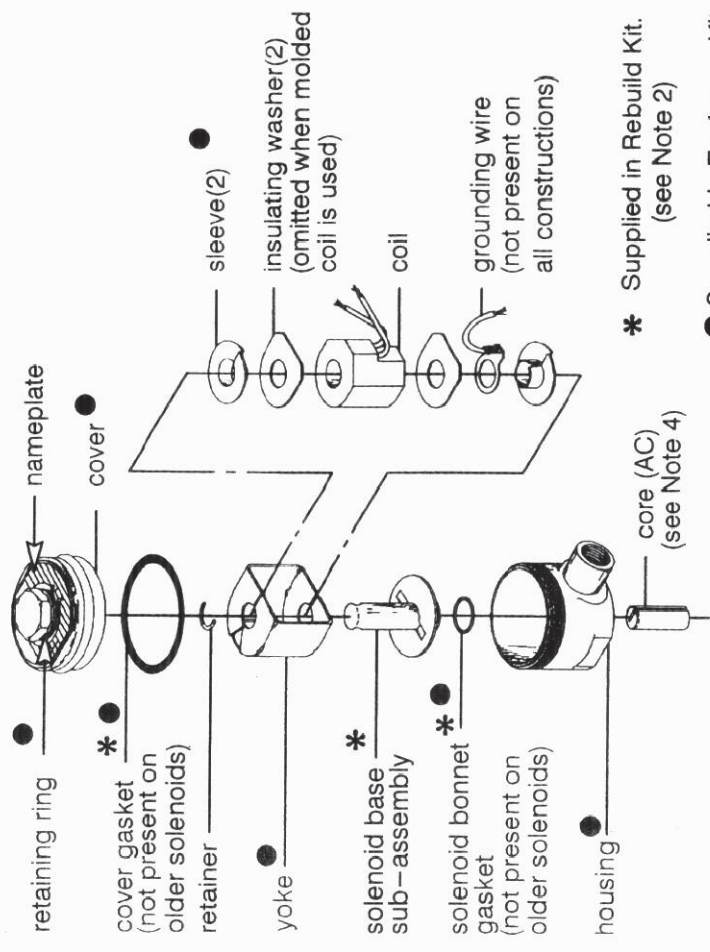
Torque Chart		
Part Name	Inch – Pounds	Newton – Meters
cover	135 ± 15	15,3 ± 1,7
solenoid base sub – assembly ▲	175 ± 25	19,8 ± 2,8

▲ To order special wrench adapter for solenoid base sub – assembly, specify Kit No. K218950



DC CONSTRUCTION

- Notes:
1. These Catalog Nos. meet watertight requirements only when cover gasket and solenoid bonnet gasket are used.
 2. A solenoid base sub – assembly with a solenoid bonnet gasket are supplied in the Rebuild Kit. These two parts are a direct replacement for the existing solenoid base sub – assembly. The cover gasket is also supplied in Rebuild Kit, but may be omitted if cover does not use a gasket.
 3. Install all parts supplied in Enclosure Kit except omit the solenoid bonnet gasket if the existing solenoid base sub – assembly does not use a gasket.
 4. Tapped hole in core 0.250 – 28 UNF – 2B with 0.38 inch minimum full thread.
 5. Special wrench adapter for solenoid base sub – assembly is supplied in Rebuild Kit and Enclosure Kit.



AC CONSTRUCTION

- * Supplied in Rebuild Kit. (see Note 2)
- Supplied in Enclosure Kit. (see Note 3)

Figure 4. Catalog Nos. EF80171, EF80172, 80173, and 80174 Raintight/Watertight/Explosionproof Solenoid Enclosure.

INSTALLATION AND MAINTENANCE INSTRUCTIONS



FIXED DEADBAND COMPACT LINE SWITCHES OPEN FRAME, GENERAL PURPOSE OR WATERTIGHT SWITCH ENCLOSURES

SERIES

PB10, PB11, PB16
PB20, PB21, PB26
PB30, PB31, PB36

Form No. P7034-T88

DESCRIPTION

The Fixed Deadband Compact Line Switch is of rugged aluminum alloy construction. The switch may be provided with a General Purpose NEMA Type 1 Switch Enclosure, a Watertight NEMA Type 3 and 4 Switch Enclosure or an open-frame switch.

The compact line switch may be supplied as a complete unit, that is, the switch assembly unit and transducer are completely assembled or as separate units to be assembled upon installation. The actuation (set) point is adjustable over the full range of the switch. The re-actuation (reset) point is fixed relative to the actuation point and cannot be adjusted. The switch assembly can be mated with a wide selection of interchangeable pressure, temperature and mechanical transducers to cover a broad range of pressures, fluids, temperatures and mechanical movements. The switch will control electrical circuits in response to changes in pressure, temperature or mechanical signals.

IMPORTANT: This sheet is designed to cover the installation and use of this switch on pressure transducers, temperature transducers and mechanical transducers. Review this sheet and select the paragraphs that apply to your particular installation and application. Throughout the sheet, the word "signal" will be used in place of pressure, temperature or mechanical changes.

INSTALLATION

Check the nameplate for the correct catalog number, pressure range, temperature range, media and rated over range pressure or temperature. Nameplates are located on side cover and on the bottom of the transducer. Check to be sure the third digit in each number is the same. If not, the unit should not be used. (Refer to Figure 2)

IMPORTANT: All internal adjustments have been made at the factory. Any adjustment, alteration or repair to the internal parts of the switch other than stated herein voids all warranties. Signal setting adjustments required are made by adjusting nut on the top of the switch.

TEMPERATURE LIMITATIONS

Ambient temperature limits are -4°F (-20°C) to 122°F (50°C). To determine fluid temperature limitations, see Form No. P7035 for Pressure Transducer catalog numbers and construction materials, then refer to chart below.

TRANSDUCER CONSTRUCTION MATERIALS	RATINGS FLUID TEMPERATURE
Buna N or Neoprene	-4°F (-20°C) to 179°F (82°C)
VITON*	-4°F (-20°C) to 250°F (121°C)
316 Stainless Steel	50°F (-45°C) to 300°F (149°C)
All Nylon	Maximum 179°F (82°C)
All Nylon For Water Service	Maximum 130°F (55°C)

For steam service, the fluid temperature with a pigtail (siphon tube or condensate loop) installed directly into the transducer will be below 179°F (82°C).

ASSEMBLY OF SWITCH AND TRANSDUCER UNITS (Refer to Figure 2)

IMPORTANT: The switch unit and transducer unit may be provided as a complete assembly or as separate units. If separate units are provided, refer to Form No. P7035 for a complete listing of switch unit and transducer unit combinations. Form No. P7035 is provided to insure that the proper switch unit be assembled to the proper transducer unit.

Pay careful attention to exploded view provided in Figure 2 for assembly of switch unit and transducer unit. Proceed in the following manner:

1. CAUTION: The third digit in the catalog number on both the switch unit and the transducer unit must be identical. If not, do not assemble to each other. If the same, proceed.
2. Remove bolts (4) from base of switch unit. On general purpose and watertight constructions, remove switch cover.
3. Remove instruction label and pressure, temperature or mechanical switch range scale from the transducer unit.
4. Place transducer unit on base of switch unit and assemble. Start bolts (4) approximately two turns by hand to avoid the possibility of cross threading. After initial engagement, torque bolts (4) in a crisscross manner to 80 ± 10 inch-pounds.
5. Remove backing paper from range scale and install on the front of the switch body over the opening for the adjusting indicator point.

POSITIONING

Switch may be mounted in any position.

MOUNTING

For mounting dimensions for open-frame switch, refer to Figure 2. For mounting dimensions for general purpose switch enclosures, refer to Figure 3. For all switches, an optional mounting bracket is available. For mounting bracket dimensions, refer to Figure 6.

PIPING/TUBING (PRESSURE TRANSDUCER)

Adequate support of piping and proper mounting of switch should be made to avoid excessive shock or vibration. To minimize the effect of vibration on a switch, mount perpendicular to vibration. Connect piping or tubing to switch at base of transducer. It is recommended that flexible tubing be used whenever possible. Apply pipe compound sparingly to male pipe threads only. If applied to transducer threads, it may enter the

transducer and cause operational difficulty. Pipe strain on switch should be avoided by proper support and alignment of piping. When tightening pipe, do not use switch as a lever. Wrenches applied to transducer body or piping are to be located as close as possible to connection point. **IMPORTANT:** For steam service, install a condensate loop (pigtail or steam syphon tube) directly into the pressure transducer.

CAUTION: To avoid damage to the transducer body, DO NOT OVERTIGHTEN PIPE CONNECTIONS. If TEFLON* tape, paste or similar lubricant is used, use extra care due to reduced friction.

IMPORTANT: To eliminate the effect of undesirable pressure fluctuations in the system, install a surge suppressor.

WIRING

Wiring must comply with local codes and the National Electrical Code. The general purpose switch enclosure is provided with a $7/8$ " diameter hole to accommodate $1/2$ " electrical hub or connector. It is recommended that a flexible conduit connection be used. If rigid conduit is used, do not consider it or use it as a means of supporting (mounting). For watertight switch enclosures, a watertight conduit hub must be installed in the $7/8$ " diameter hole; use conduit hub Part No. PP01 or equivalent. **IMPORTANT:** Electrical load must be within range stated on nameplate. Failure to stay within the electrical range of the switch rating may result in damage to or premature failure of the electrical switch. Use No. 14 AWG copper wire rated for 60°C minimum. **CAUTION:** Do not exert excessive screwdriver force on snap switch when making terminal connections. When connections are made, be sure there is no stress on the wire leads. Either condition may cause malfunction of switch.

Electrical Ratings For Standard & Suffix J or K Switches

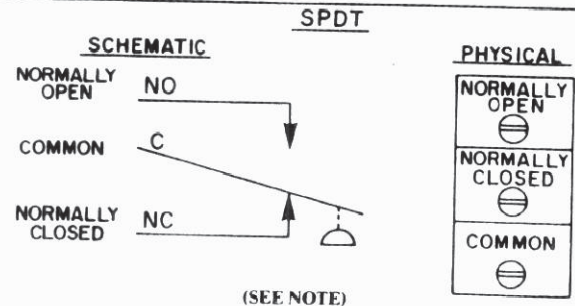
Ratings for Limit Controls and Pressure Operated Switches:

5 Amps Res., 125 or 250 VAC
1/8 HP or 90 Watts, 125 VAC
1/4 HP or 180 Watts, 250 VAC
1/2 Amp Res., 125 VDC
1/4 Amp Res., 250 VDC

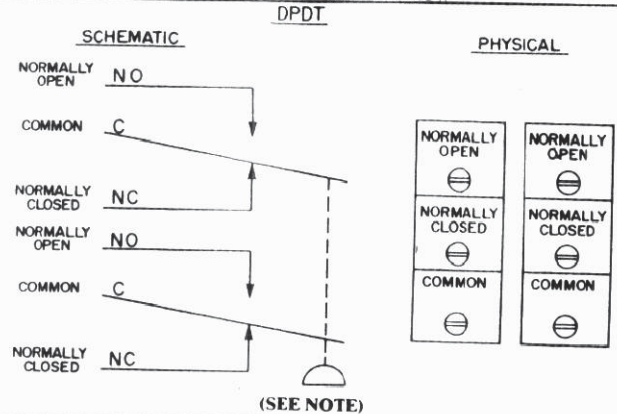
Ratings for Industrial Controls and Temperature Indicating and Regulating Equipment:

15 Amps Res., 125 VAC
10 Amps Res., 250 VAC
1/8 HP or 90 Watts, 125 VAC
1/4 HP or 180 Watts, 250 VAC
1/2 Amp Res., 125 VDC
1/4 Amp Res., 250 VDC

SCHEMATIC FOR STANDARD AND SUFFIX "J" SWITCHES



SCHEMATIC FOR SUFFIX "K" SWITCH (OPTIONAL) DOUBLE POLE DOUBLE THROW



NOTE: Terminal Connections (C, NC & NO) on snap switch are located differently than shown in schematic above. Common "C" is located at the bottom. Normally Closed "NC" is located in the center. Normally Open "NO" is located at the top.

*DuPont Co. Registered Trademark



INSTALLATION OF TEMPERATURE TRANSDUCERS

(Refer to Figure 5)

DIRECT PROBE

The Direct Probe (local) Temperature Transducer is provided with 1/2 inch N.P.T. connection. When installing, do not use switch unit as a lever for tightening. Use wrenching flats provided at base of transducer for tightening.

CAPILLARY AND BULB

The Capillary and Bulb (remote) Temperature Transducers are provided with a length of capillary and a 3/8 inch diameter sensing bulb. CAUTION: Do not bend capillary at sharp angles. For proper operation, be sure sensing bulb is completely immersed in fluid and not in contact with heating element or anything that would directly affect the temperature of the fluid being sensed.

THERMAL WELL (Optional Feature)

A Thermal Well may be used for Capillary and Bulb (remote) or Direct Probe (local) Temperature Transducers. The thermal well affords protection for the sensing bulb and allows removal of the sensing bulb while maintaining a pressure-tight vessel. When installing sensing bulb in thermal well, be sure that it is fully inserted. Where a thermal well already exists, jam nuts may be obtained to adapt the capillary and bulb to the existing thermal well. The existing thermal well must be for a 3/8 diameter sensing bulb.

UNION CONNECTOR (Optional Feature)

A union connector will allow direct mounting of the sensing bulb in the fluid being sensed. Install union into piping connection before tightening union onto bulb. For maximum performance, the bulb should be inserted in the union connection so that the end of the sensing bulb is even with the end of the union connector nut. Do not apply excessive torque when tightening union connector nut.

ADJUSTMENT (SIGNAL SETTING) OF FIXED DEADBAND SWITCH

To make adjustments, (signal setting) a 1/4 inch wrench and a pressure or temperature gage (within suitable range) are required. If electrical connection (to line of final application) of the switch is not desirable, a battery powered test lamp or ohm meter may be used. Pressure, temperature or mechanical range scales should be used for initial signal setting. These will be accurate within 5%. Adjust switch until pointer is in the middle of the solid red line below the desired range. For exact signal setting, proceed as follows:

ADJUSTMENT (SIGNAL SETTING) OF NORMALLY CLOSED AND NORMALLY OPEN FIXED DEADBAND SWITCH, INCREASING SIGNAL

(Refer to Figure 1)

1. If the fixed deadband switch is in the line of final application when adjustment (signal setting) is made, be sure switch can be test operated without affecting other equipment.
2. On general purpose and watertight constructions, remove switch cover.
3. Turn adjustment nut until signal setting indicator is fully up. Use a 1/4 inch wrench for adjusting nut. CAUTION: Adjusting nut will turn easily until it hits a stop. Do not over torque; over torquing may cause damage.
4. Follow steps in chart below to make signal setting.

Steps of Adjustment	Normally Closed		Normally Open	
	Electrical Connection To Switch	Position Of Test Lamp On-Off	Electrical Connection To Switch	Position Of Test Lamp On-Off
1. Starting with zero signal connect test lamp to common and . . .	Normally Closed Terminal	On	Normally Open Terminal	Off
2. Apply desired actuation signal. Then back off signal adjusting nut until switch actuates.	Normally Closed Terminal	Off (Switch Open)	Normally Open Terminal	On (Switch Closed)
3. Lower signal to check reactivation signal.	Normally Closed Terminal	On (Switch Closed)	Normally Open Terminal	Off (Switch Open)

5. Cycle between actuation and reactivation signals and make minor adjustment to nut as required to achieve the exact signal setting.
6. After setting has been made, make permanent electrical connections. **WARNING: Be sure power is off when electrical connections are made.**

ADJUSTMENT (SIGNAL SETTING) OF NORMALLY CLOSED AND NORMALLY OPEN FIXED DEADBAND SWITCH, DECREASING SIGNAL

(Refer to Figure 1)

1. If the fixed deadband switch is in the line of final application when adjustment (signal setting) is made, be sure switch can be test operated without affecting other equipment.
2. On general purpose and watertight constructions, remove switch cover.
3. Turn adjustment nut until signal setting indicator is fully down. Use a 1/4 inch wrench for adjusting nut. CAUTION: Adjusting nut will turn easily until it hits a stop. Do not over torque; over torquing may cause damage.

4. Follow steps in chart below to make signal setting.

Steps of Adjustment	Normally Closed		Normally Open	
	Electrical Connection To Switch	Position Of Test Lamp On-Off	Electrical Connection To Switch	Position Of Test Lamp On-Off
1. Starting with initial signal above desired actuation setting, connect test lamp to common and . . .	Normally Closed Terminal	Off	Normally Open Terminal	On
2. Decrease signal to desired actuation signal. Then advance signal adjusting nut until switch actuates.	Normally Closed Terminal	On (Switch Closed)	Normally Open Terminal	Off (Switch Open)
3. Increase signal to check reactivation signal.	Normally Closed Terminal	Off (Switch Open)	Normally Open Terminal	On (Switch Closed)

5. Cycle between actuation and reactivation signals and make minor adjustment to nut as required to achieve the exact signal setting.
6. After setting has been made, make permanent electrical connections. **WARNING: Be sure power is off when electrical connections are made.**

TESTING OF INSTALLATION

If the adjustment of the switch has been made outside of the line of final application, the switch should be retested when installed in the line of final application. Follow adjustment instructions. Be sure switch can be test operated without affecting other equipment.

MAINTENANCE

WARNING: Turn off electrical power supply and line pressure to switch before removal or inspection.

IMPORTANT: Repair of the switch shall never be attempted in the field. The switch must be returned to the factory (Automatic Switch Company, Florham Park, New Jersey) or serviced only by an authorized factory representative. Address all service inquiries to Automatic Switch Company, 50-56 Hanover Road, Florham Park, New Jersey 07932. The only adjustment which may be performed on the switch is changing the position of signal setting adjusting nut and replacement of the transducer unit. Replacement of transducer should be done if external leakage is evident.

PREVENTIVE MAINTENANCE

1. While in service, operate (cycle between two desired signals) the fixed deadband switch at least once a month to insure proper operation. If necessary, electrical wiring and pipe connection should be made so that switch can be test operated without affecting other equipment.
2. Periodic inspection of the switch, external surfaces only, should be carried out. Switch should be kept clean and free from paint, foreign matter, corrosion, icing and freezing conditions.
3. Keep the medium entering the switch as free from dirt and foreign material as possible.

IMPROPER OPERATION

Switch will not actuate or actuates and reactuates undesirably.

1. **Incorrect Electrical Connection:** Check leads to switch. Be sure they are properly connected. Switch is marked "NO" for Normally Open, "NC" for Normally Closed and "C" for Common.
2. **Faulty Control Circuit:** Check electrical power supply to switch. Check for loose or blown-out fuses, open-circuited or grounded wires, loose connections at terminal block or switch. See nameplate for electrical rating and range.
3. **Incorrect Pressure:** Check pressure in system with suitable pressure gage. Pressure must be within range specified on nameplate.
4. **Incorrect Adjustment:** Check adjusting nut for proper setting. Refer to adjustment instructions.
5. **External Leakage:** Check to see that bolts (4) holding transducer to pressure switch are properly torqued (80 ± 10 inch-pounds). If bolts are tight and leakage is still evident, replace transducer. Refer to paragraph on "Assembly of Switch Unit and Transducer Unit."
6. **Excessive Vibration or Surges Causing Switch to Actuate and Reactuate:** Check for fluctuations in system and install pressure surge suppressor. Check switch mounting and be sure there is no excess vibration.
7. **Incorrect Temperature:** Check temperature in system with suitable thermometer. Temperature must be within range specified on nameplate. Check location of capillary and bulb for incorrect mounting. Refer back to paragraphs on "Installation of Temperature Transducers."

If the operation of the fixed deadband switch cannot be corrected by the above means, the entire switch unit should be replaced or an authorized factory representative consulted.

FOR SERVICE, REPLACEMENT OR NEW TRANSDUCER

Consult Factory or Authorized Factory Representative or Distributors

ORDERING INFORMATION

For Fixed Deadband Switch or New Transducer

When Ordering, Specify Catalog Numbers, Fluid, Pressure Range, Temperature Range, Serial Numbers and Maximum Sustained Pressure or Temperature.

NAMEPLATES ARE LOCATED ON SWITCH COVER AND BOTTOM OF TRANSDUCER.



Automatic Switch Co.

FLORHAM PARK, NEW JERSEY 07932

Form No. P7034

PRINTED IN U.S.A.

1978

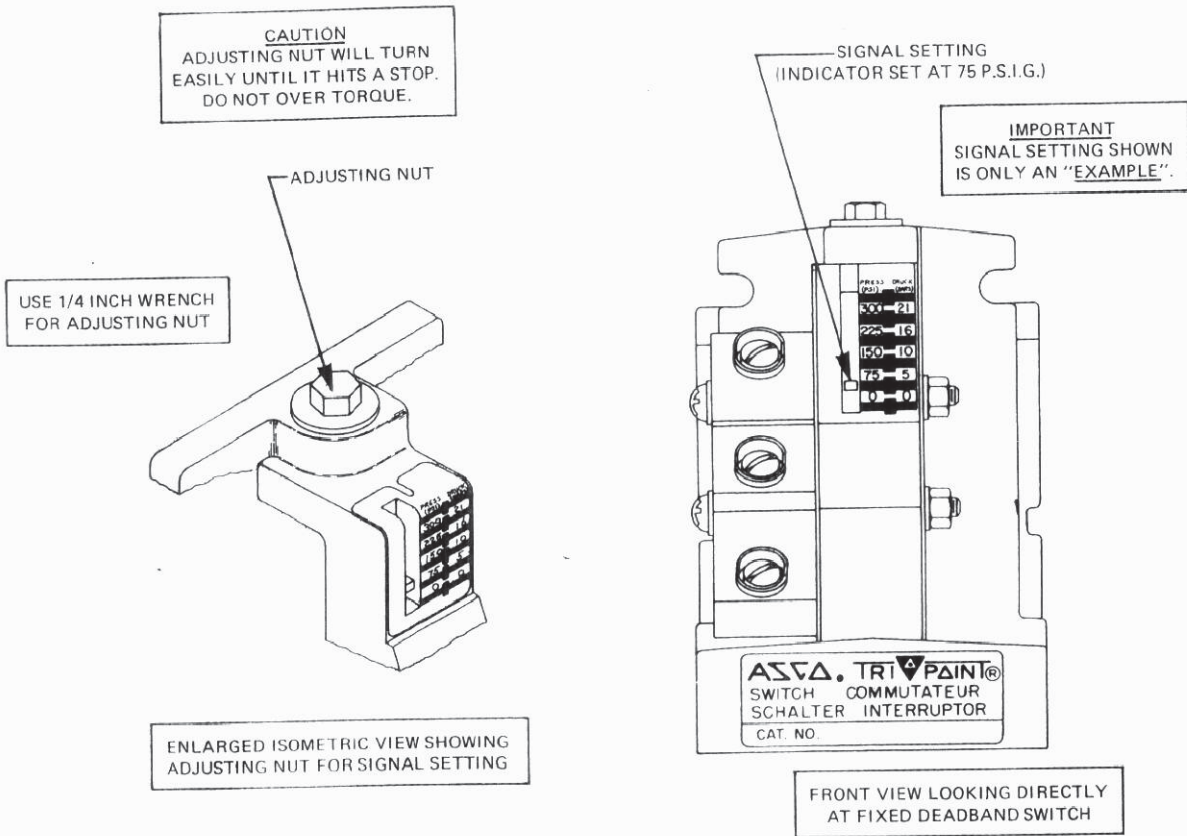


Figure 1. Adjustment (Signal Setting) of Fixed Deadband Switch

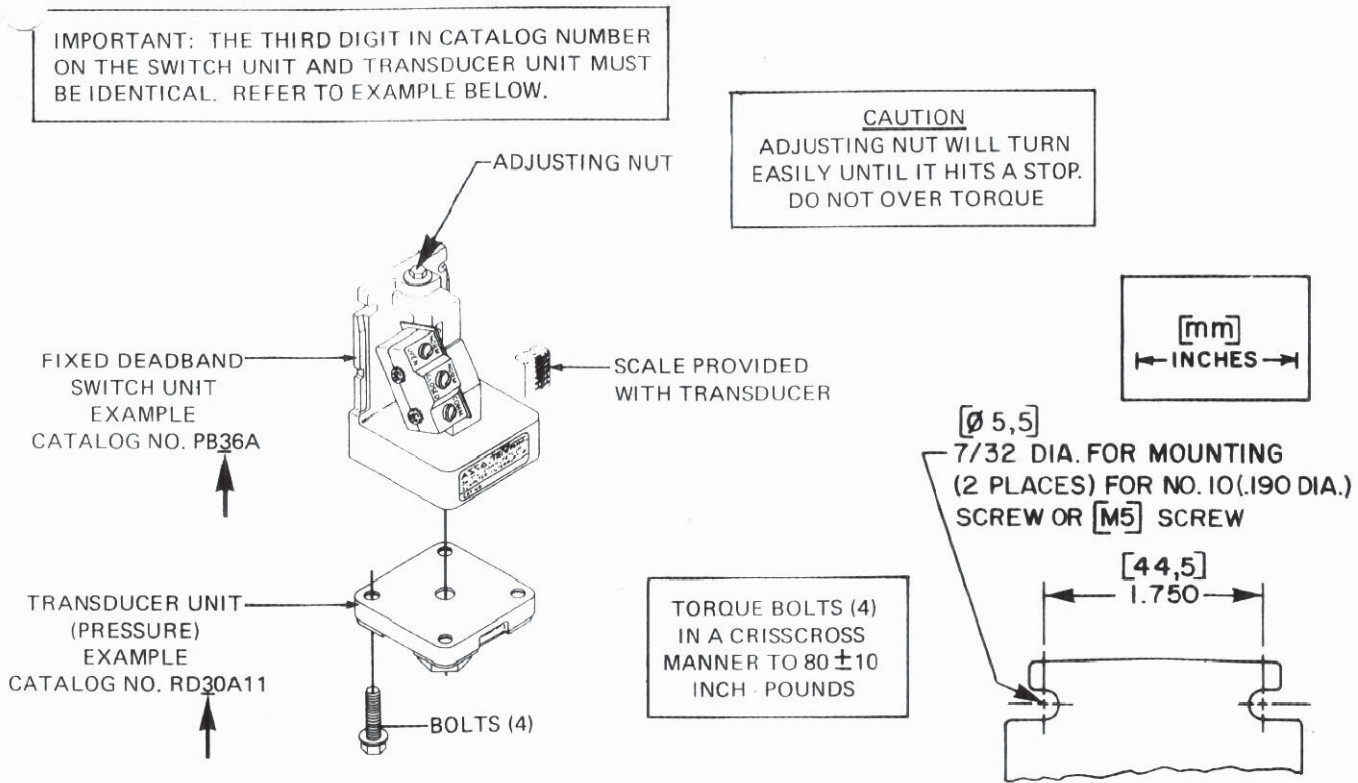


Figure 2. Open Frame Switch and Mounting Dimensions (Switch Unit and Transducer Unit to be Assembled)

SWITCH UNIT AND TRANSDUCER UNIT
(PRESSURE TYPE) SHOWN COMPLETELY ASSEMBLED

7/8 DIA. HOLE FOR
1/2 INCH CONDUIT

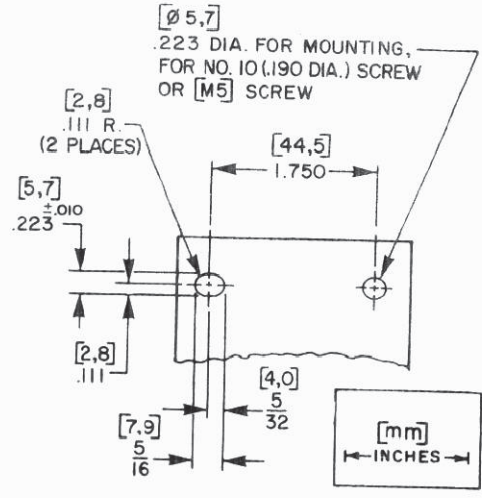
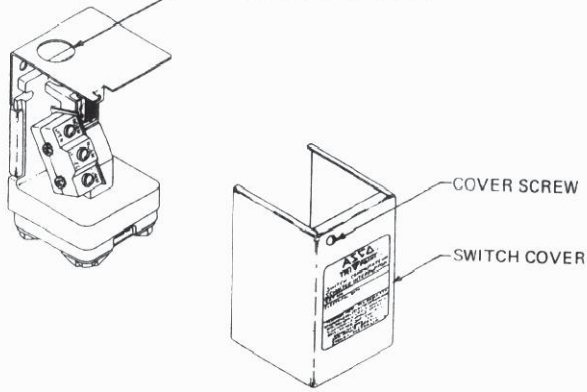


Figure 3. General Purpose Switch Enclosure With Mounting Dimensions

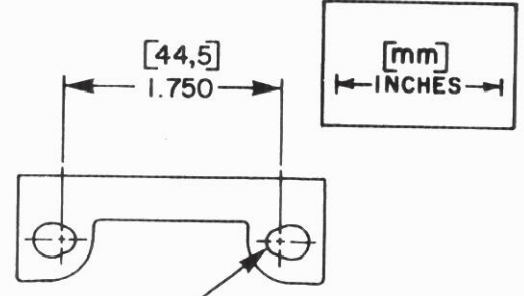
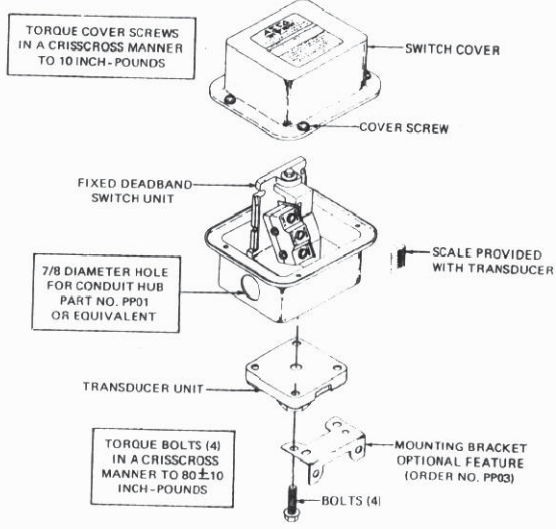


Figure 4. Watertight Switch Enclosure

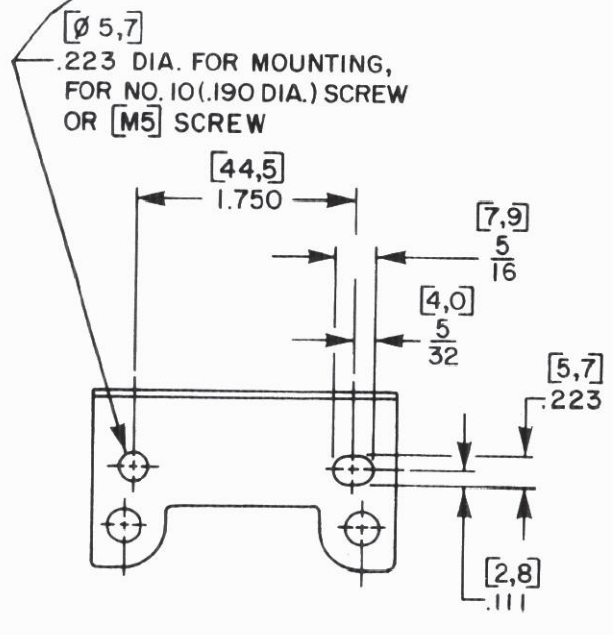
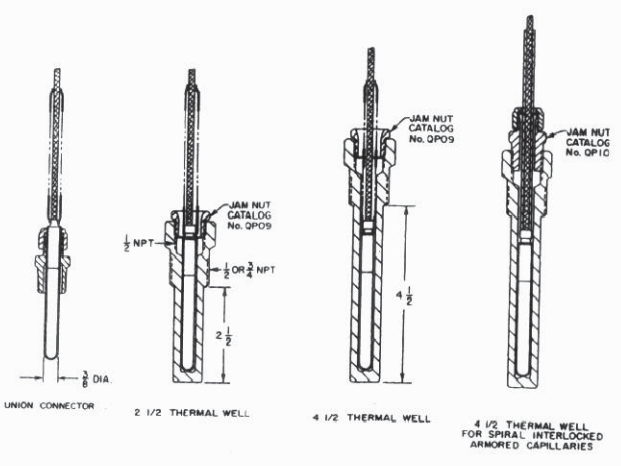


Figure 5. Union Connector and Thermal Wells (Optional Feature)

Figure 6. Mounting Bracket (Optional Feature)



Automatic Switch Co.

FLORHAM PARK, NEW JERSEY 07932

Form No. P7034

PRINTED IN U.S.A.

1978