

DELUX

Continuous Flow GRAIN DRYERS



FARM & COMMERCIAL
300 BPH to 3,300 BPH

DRYER CONTROLS

MOISTURE Link GX™

Simplicity by Proven Performance.

With over 60 years of proven field experience in grain dryer controls and grain moisture management, Delux Manufacturing offers its proprietary MoistureLink GX™ Dryer Control. This PLC controlled dryer command center offers operation and moisture control in one complete package that is both intuitive and easily operated.



AUTOMATIC MOISTURE CONTROL

Take the hassle out of manually adjusting the dryer speed control. The embedded MoistureLink™ Drying Technology keeps accurate and precise moisture of grain exiting the dryer.

REMOTE CONTROL & MONITORING

Stay informed of the dryer's status through a web based log-in portal. Change plenum temperature, target discharge moisture & more from anywhere in the world.

REMOTE SUPPORT

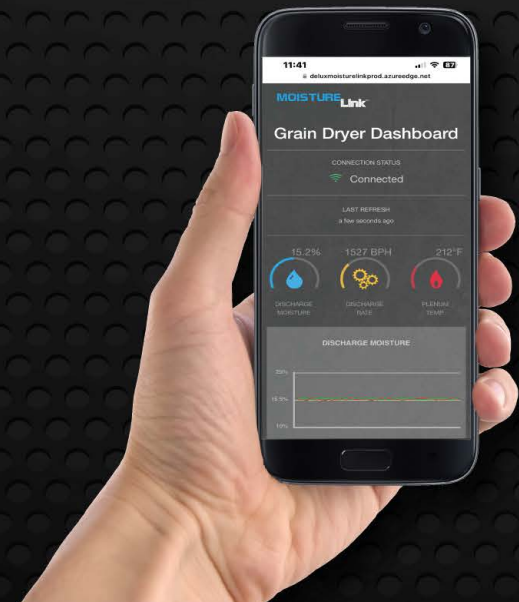
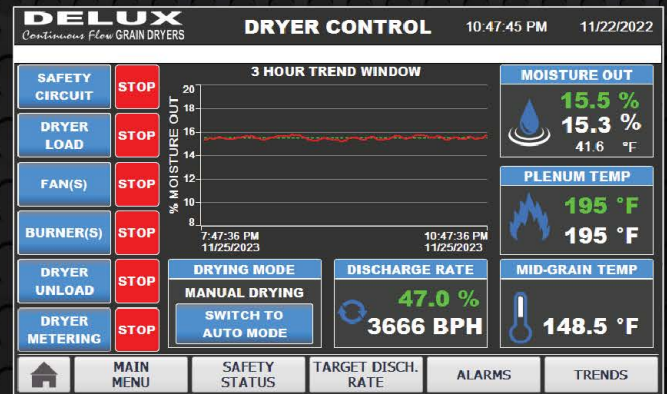
With a cellular router in all MoistureLink™ control panels, a service technician can remotely access a dryer panel if necessary to save you valuable time at harvest.

TEXT & EMAIL NOTIFICATION

Have piece of mind knowing that the dryer will notify the operator in the event of a shutdown. It can also send status updates as often as desired.

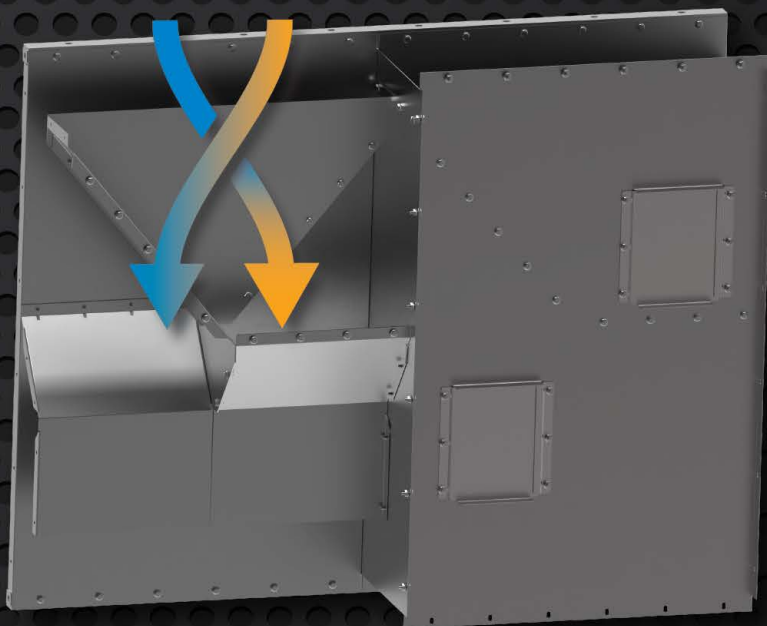
FAULT NOTIFICATION

There's no need to guess as to what may have shut the dryer down. It specifically tells where the fault occurred.



FEATURES

GRAIN TURNERS



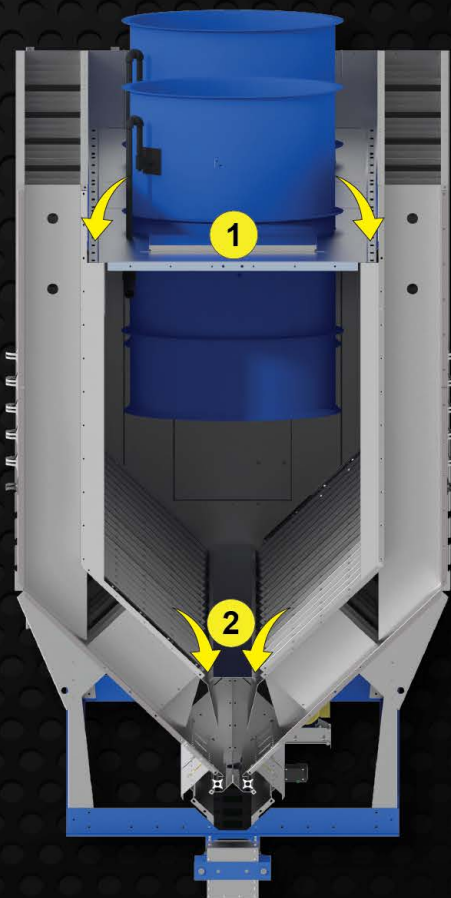
Located midway through the drying section, grain turners promote even drying by switching the inside and outside halves of the grain column. Solid inside and outside sheeting promotes a stepping process and helps retain particulate.

This process equalizes grain temperature which improves grain quality and test weight. It also maximizes capacity while reducing overall drying costs.

STAY-KLEEN HEAT DECK & COOLING SYSTEM

Integrated into the heat deck and cooling floor, this exclusive system prevents the buildup of particulate on the heat deck and cooling floor. It also significantly reduces the need for maintenance inside the dryer.

- 1 Foreign material in the plenum chamber is forced through a series of ports along the heat deck floor by static air pressure.
- 2 This material is then recycled back into the discharging grain through a hopper within the cooling floor.



DELUX

Continuous Flow GRAIN DRYERS

1 DRYER FILL INLET HOPPER

Large hopper allows grain to easily transition to the fill auger.

2 LEVELING AUGER

Heavy duty auger & fines distributing trough. An optional drag conveyor is available on all models.

3 PRE-HEAT GARNER

Large holding area to absorb more energy before entering the grain column.

4 ALUMINUM OUTER SCREENS

Resists corrosion and will leave the dryer looking like new.

5 SERVICE PLATFORM

Standard on all models for safe and easy access to fill system.

6 EXHAUST TEMP LIMIT

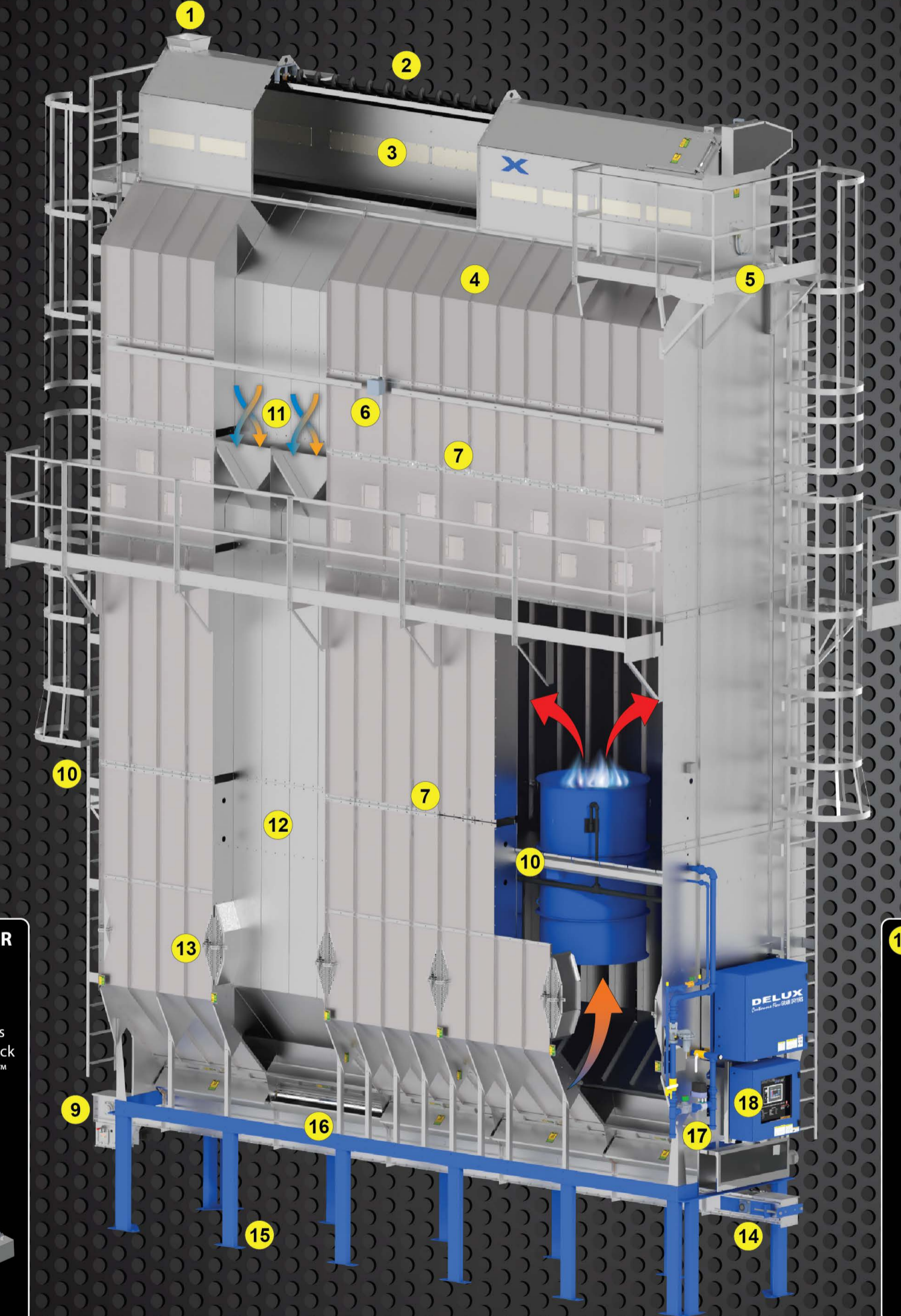
Monitors the temperature of the air passing through the grain. Standard on models with grain turners.

7 MODULAR DESIGN

Delux's modular design allows for easier assembly in the field.

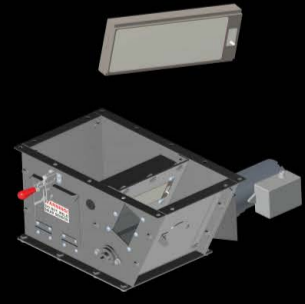
8 SIDE WALKWAYS

Standard on DPXSL & larger series grain dryers. Optional on DP/DPSL models.



9 GRAIN SAMPLER

A sampling motor takes continuous grain moisture samples and returns that information back to the MoistureLink™ Control System.



10 ENTRY DOORS

Large plenum and cooling doors allow easy access into the dryer.



11 GRAIN TURNER

Promotes even drying by re-directing the grain from inside to outside.

12 VACUUM COOLING

Recycles heat from cooling grain for maximum efficiency, excellent grain quality and quiet operation.

13 FRESH AIR INTAKES

Provides uniform heat distribution and control of discharge grain temperature.

14 DISCHARGE CONVEYOR

Standard on all dryers with capacities over 1500 BPH. Optional on all other models.

15 LEG EXTENSIONS

Optional leg extensions from 12" - 48" lift the dryer for greater serviceability and higher discharge heights.

16 METERING ROLL

Lift up doors provide easy access to metering rolls.

17 ELECTRONIC TEMP CONTROL

Provides stable plenum temperature and efficient grain drying.

18 DRYER CONTROL CENTER

Standard or MoistureLink G2™ control panels can be mounted on the dryer or up to 20' away.

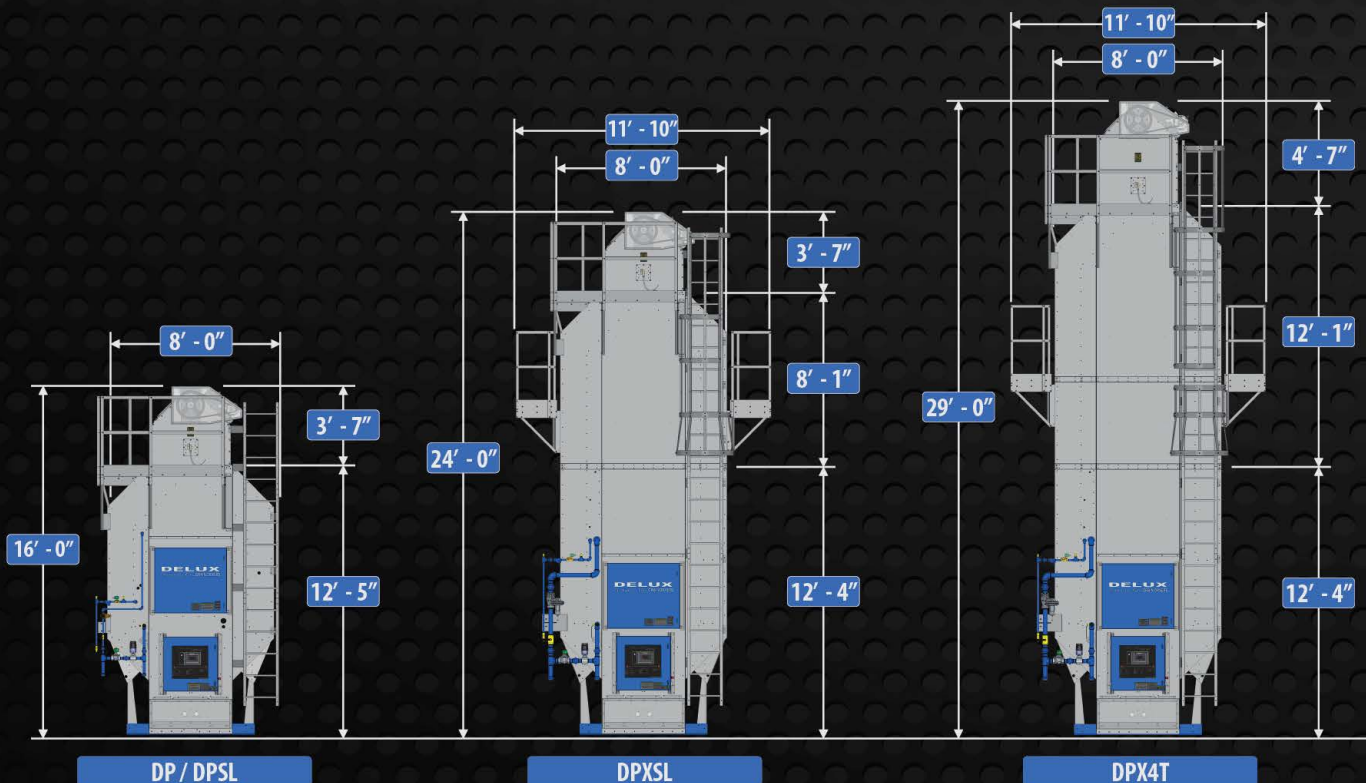
Exceeding Expectations In Grain Drying!

SPECIFICATIONS

MODEL NUMBER	OVERALL FRAME LENGTH	INSTALLED HEIGHT (FILL) ¹	GRAIN HOLDING (BU.)	CAPACITY CORN (20% 15%) (BU.)	CAPACITY CORN (25% 15%) (BU.)	AVG. BURNER CAPACITY (MBTU)	FAN MOTOR QTY-HP	DISCHARGE TYPE	MAXIMUM UNLOAD RATE (BU.)	TOTAL DRYER HP	AMPS 230V-1P	AMPS 230V-3P	AMPS 380V-3P	AMPS 460V-3P	AMPS 575V-3P	DRYER WEIGHT (LBS)
DP SERIES (1 PHASE)																
DP10	10' 7"	16'	317	300	180	1.8	1-15	AUGER	600	17	50	-	-	-	-	6,000
DP15	15' 7"	16'	475	400	240	2.4	2-10	AUGER	900	24	100	-	-	-	-	9,000
DP20	20' 7"	16'	634	500	300	2.4	2-10	AUGER	1,200	24	100	-	-	-	-	12,000
DP30	30' 7"	16'	951	750	450	3.6	3-10	AUGER	1,800	36	146	-	-	-	-	18,000
DP40	40' 7"	16'	1,268	1,000	600	4.8	4-10	AUGER	2,300	49	191	-	-	-	-	24,000
DPSL SERIES																
DPSL10	10' 7"	16'	317	350	210	2.1	1-20	AUGER	600	22	-	59	34	30	24	6,000
DPSL15	15' 7"	16'	475	500	300	2.7	2-15	AUGER	900	34	-	91	53	45	36	9,000
DPSL20	20' 7"	16'	634	700	420	4.2	2-20	AUGER	1,200	44	-	115	65	57	46	12,000
DPSL25	25' 7"	16'	793	850	510	5.4	2-30	AUGER	1,500	66	-	160	96	80	64	15,000
DPSL30	30' 7"	16'	951	1,050	630	6.4	3-20	AUGER	1,800	66	-	170	96	85	68	18,000
DPSL40	40' 7"	16'	1,268	1,400	840	8.5	4-20	AUGER	2,300	89	-	227	129	114	91	24,000
DPXSL SERIES																
DPXSL20	20' 7"	24'	890	1,000	600	5.4	2-30	AUGER	1,600	65	-	157	93	77	62	17,000
DPXSL25	25' 7"	24'	1,113	1,250	750	6.9	2-30	AUGER	1,950	67	-	162	97	81	65	21,250
DPXSL30	30' 7"	24'	1,335	1,500	900	8.2	3-30	AUGER	2,300	97	-	232	139	116	93	25,500
DPXSL40	40' 7"	24'	1,780	2,000	1,200	10.9	4-30	DRAG	3,100	134	-	319	191	160	128	34,000
DPX4T SERIES																
DPX4T20	20' 7"	29'	1,074	1,200	720	6.9	2-30	AUGER	2,200	66	-	160	96	80	64	18,500
DPX4T25	25' 7"	29'	1,343	1,500	900	9.5	2-50	AUGER	2,760	107	-	254	147	127	102	23,125
DPX4T30	30' 7"	29'	1,611	1,800	1,080	10.3	3-30	DRAG	3,310	99	-	237	143	119	95	27,750
DPX4T40	40' 7"	29'	2,148	2,400	1,440	13.8	4-30	DRAG	4,410	134	-	319	191	160	128	37,000

¹ Installed height without leg extensions

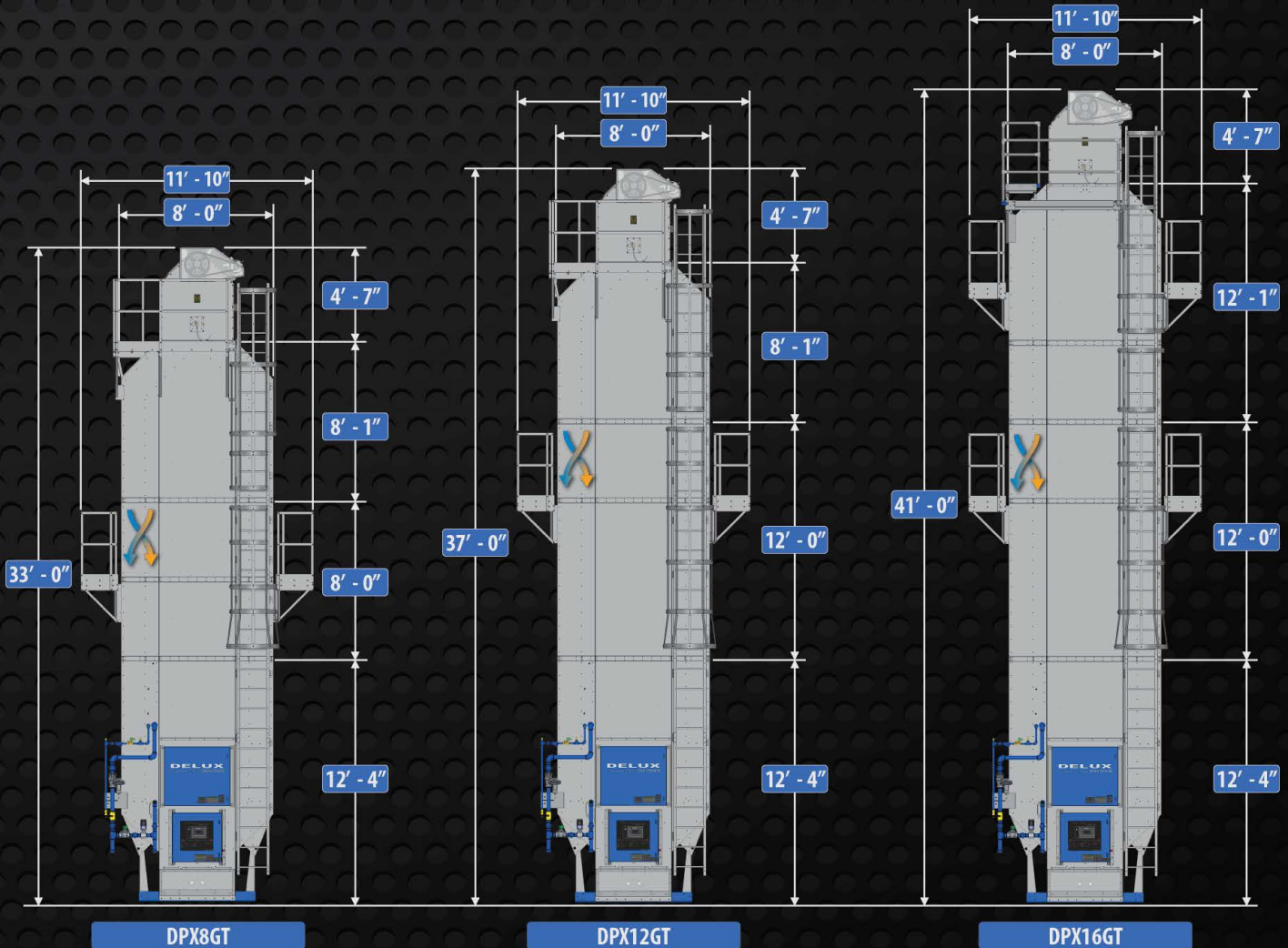
NOTE: Stated capacities are wet bushels at listed input moisture content and estimated based on drying principles, field results & computer simulation. Variances may occur due to grain physiological factors (kernel size, chemical composition, variety or maturity), excessive fines or adverse weather conditions.



MODEL NUMBER	OVERALL FRAME LENGTH	INSTALLED HEIGHT (FILL) ¹	GRAIN HOLDING (BU.)	CAPACITY CORN (20% 15%) (BU.)	CAPACITY CORN (25% 15%) (BU.)	AVG. BURNER CAPACITY (MBTU)	FAN MOTOR QTY-HP	DISCHARGE TYPE	MAXIMUM UNLOAD RATE (BU.)	TOTAL DRYER HP	AMPS 230V-1P	AMPS 230V-3P	AMPS 380V-3P	AMPS 460V-3P	AMPS 575V-3P	DRYER WEIGHT (LBS)
DPX8GT SERIES																
DPX8GT20	20' 7"	33'	1,202	1,360	816	6.9	2-30	AUGER	2,200	66	-	160	96	80	64	20,000
DPX8GT25	25' 7"	33'	1,503	1,700	1,020	9.5	2-50	DRAG	2,760	107	-	259	151	130	104	25,000
DPX8GT30	30' 7"	33'	1,803	2,040	1,224	10.3	3-30	DRAG	3,310	99	-	237	143	119	95	30,000
DPX8GT40	40' 7"	33'	2,404	2,720	1,632	13.8	4-30	DRAG	4,410	134	-	319	191	160	128	40,000
DPX12GT SERIES																
DPX12GT20	20' 7"	37'	1,330	1,500	900	8.1	2-40	AUGER	2,450	86	-	204	124	102	82	21,500
DPX12GT25	25' 7"	37'	1,663	1,900	1,140	10.5	2-60	DRAG	3,060	129	-	299	178	150	120	26,875
DPX12GT30	30' 7"	37'	1,995	2,250	1,350	12.2	3-40	DRAG	3,670	129	-	303	185	152	121	32,250
DPX12GT40	40' 7"	37'	2,660	3,000	1,800	16.2	4-40	DRAG	4,890	174	-	412	251	206	165	43,000
DPX16GT SERIES																
DPX16GT20	20' 7"	41'	1,458	1,650	984	9.5	2-50	DRAG	2,450	107	-	252	146	126	101	23,750
DPX16GT25	25' 7"	41'	1,823	2,100	1,260	10.5	2-60	DRAG	3,060	129	-	299	178	150	120	29,685
DPX16GT30	30' 7"	41'	2,187	2,475	1,476	14.2	3-50	DRAG	3,670	159	-	375	218	188	151	35,625
DPX16GT40	40' 7"	41'	2,916	3,300	1,968	18.9	4-50	DRAG	4,890	216	-	508	295	254	204	47,500

¹ Installed height without leg extensions

NOTE: Stated capacities are wet bushels at listed input moisture content and estimated based on drying principles, field results & computer simulation. Variances may occur due to grain physiological factors (kernel size, chemical composition, variety or maturity), excessive fines or adverse weather conditions.



COMPANY HISTORY



Founded in Axtell, Nebraska in 1962, Delux Manufacturing Company began manufacturing continuous flow vacuum cooled grain dryers for both the farm and commercial grain drying industry. Soon after, Delux outgrew the original facility and moved to Kearney, Nebraska where it is located today. Early on the Delux brand became an icon at grain elevators across the United States, while farmers were choosing the Delux Continuous Flow Dryer when adding grain storage to their operation.

Over the years, many different types, sizes and models of grain dryers have been manufactured, but Delux has always stayed true to its first drying concept of vacuum cooled drying. This type of dryer has received great acceptance and has grown to be the largest type of commercial dryer on the market today.

Delux also knows a dryer is a long term investment. Many dryers that were built in the 1960's are still running strong today. Delux will continue to build a dryer that will last for many decades. Only the highest quality of parts and components are used and every dryer is built with quality and dedication.

Today, Delux continues to manufacture grain dryers while maintaining a vast dealer network across the United States and in other countries around the world.

DRYER INSTALLATIONS



DP3L30



DPX16GT25



DPX12GT25



DP3L40

AUTHORIZED DEALER:

DELUX MANUFACTURING COMPANY
4650 AIRPORT ROAD
KEARNEY, NE 68848 USA
(308) 237-2274 WWW.DELUXMFG.COM



REV 04/2024